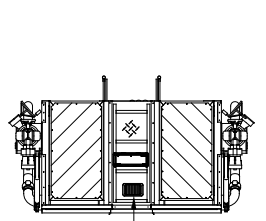
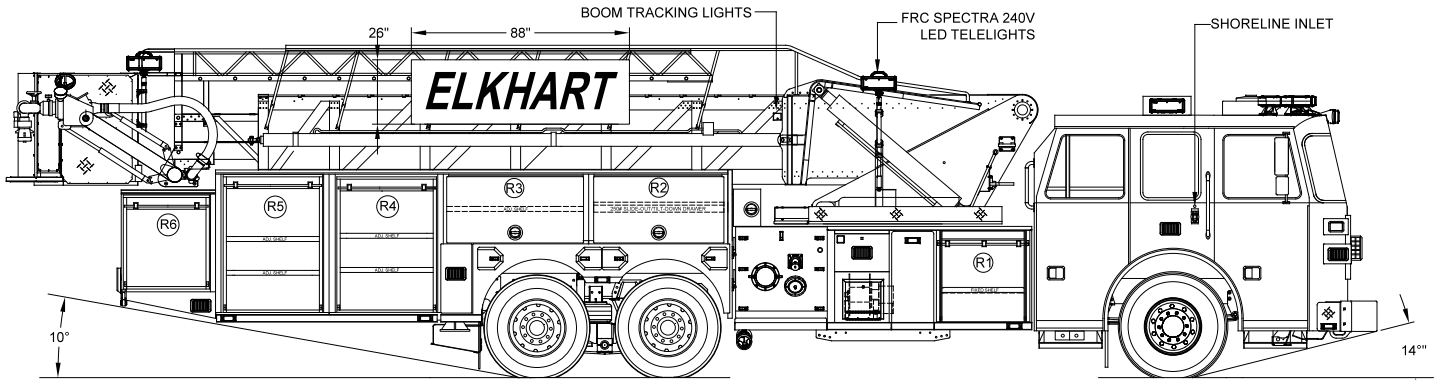
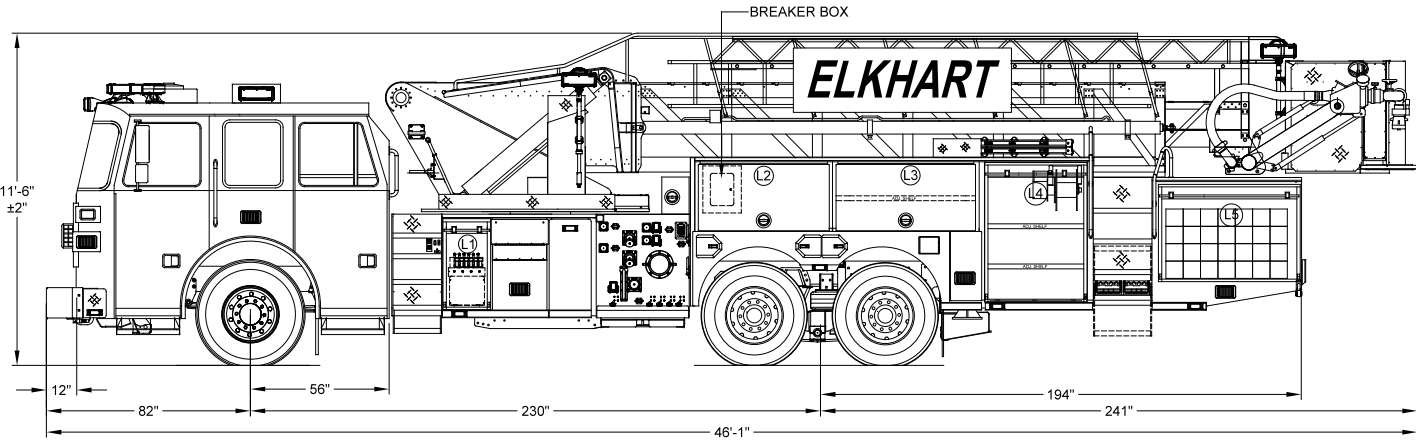
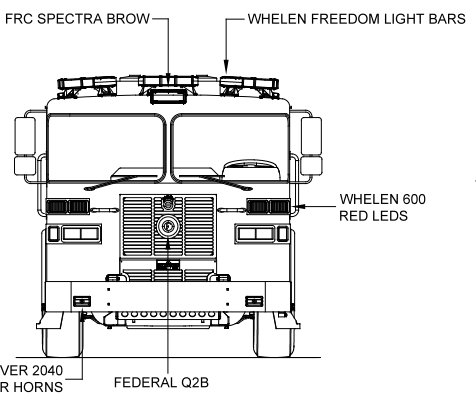
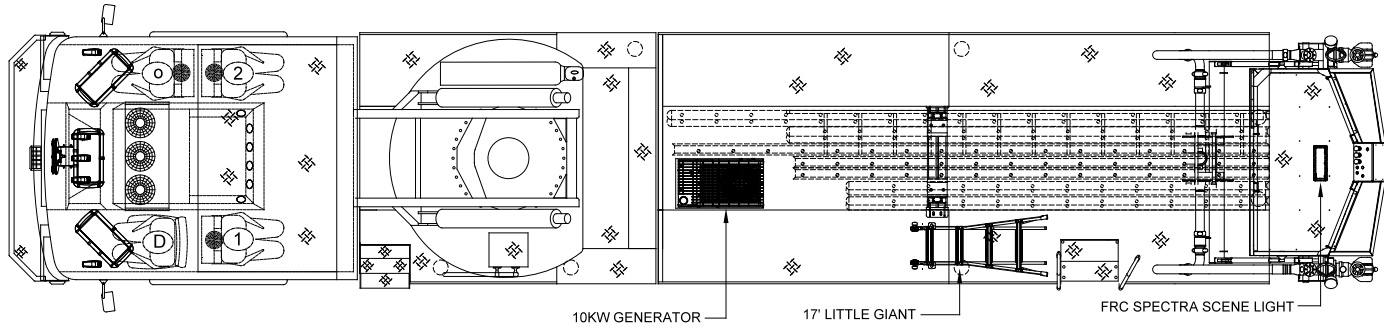


- LADDER CHUTE**
- (1) 12' 2-SECT.
 - (1) 20' ROOF
 - (1) 10' FOLDING
 - (2) NY HOOK STOR
 - (2) 24' 2-SECT.
 - (1) 16' ROOF
 - (1) 16' ROOF
 - (1) 20' ROOF
 - (1) 28' 2-SECT.
 - (1) 35' 2-SECT.



TWO TONE CAB PAINT
PAINT BREAK OPTION #1
BLUE OVER RED



DOOR OPENINGS			COMPARTMENT DIMENSIONS			DOOR OPENINGS			COMPARTMENT DIMENSIONS		
COMPT	HEIGHT	WIDTH	HEIGHT	WIDTH	DEPTH	COMPT	HEIGHT	WIDTH	HEIGHT	WIDTH	DEPTH
L1	31 1/2	13 1/2	38 1/2	20 1/4	20 1/4	R1	31 1/2	33 1/2	38 1/2	40	27 1/2
L2	23	50 1/4	27 1/2	58	26 1/2	R2	23	50 3/4	27 1/2	58	26 1/2
L3	23	50 1/4	27 1/2	58	26 1/2	R3	23	50 3/4	27 1/2	58	26 1/2
L4	48 1/2	38 3/4	56 1/2	45 3/4	26 1/2	R4	48 1/2	38 3/4	56 1/2	45 3/4	26 1/2
L5	40 1/2	15 1/8	56 1/2	22	26 1/2	R5	48 1/2	38 3/4	56 1/2	45 3/4	26 1/2
L6	32 1/8	30 7/8	40 1/8	34 3/4	26 1/2	R6	32 1/8	30 7/8	40 1/8	34 3/4	26 1/2

DOOR OPENINGS			COMPARTMENT DIMENSIONS		
COMPT	HEIGHT	WIDTH	HEIGHT	WIDTH	DEPTH
A1	9 1/8	24 1/2	9 7/8	26	88

TOTAL COMPARTMENT VOLUME - 325.25 CU.FT.

DIMENSIONS SHOWN ON THIS DRAWING ARE APPROXIMATE AND ARE SUBJECT TO MINOR DEVIATIONS DURING CONSTRUCTION.

IN THE EVENT OF A DISCREPANCY BETWEEN THE SUTPHEN SPECIFICATIONS AND DRAWING, THE SUTPHEN SPECIFICATIONS SHALL PREVAIL.

DRAWING IS FOR REFERENCE ONLY. SOME ITEMS PROPOSED MAY NOT BE SHOWN OR NOTED.

CUSTOMER APPROVAL

NAME: _____

TITLE: _____

DATE: _____

REV	DESCRIPTION	BY	DATE
I	REV-I SHOP ORDER/REFERENCE SHOP ORDER CHANGE DOCUMENT ON SHARED DRIVE	JL	12/02/20
H	REV-H SHOP ORDER/REFERENCE SHOP ORDER CHANGE DOCUMENT ON SHARED DRIVE	JL	11/20/20
G	REV-G SHOP ORDER/REFERENCE SHOP ORDER CHANGE DOCUMENT ON SHARED DRIVE	JL	11/19/20
F	REV-F SHOP ORDER/REFERENCE SHOP ORDER CHANGE DOCUMENT ON SHARED	JL	09/21/20

DRAWN BY:
J. LAMBERT

DATE:
02/10/20

MFG. FACILITY:
DUBLIN

SUTPHEN

ELKHART FIRE DEPARTMENT
ELKHART, IN

SPH100 AERIAL PLATFORM

DWG. NO.: HS-6700