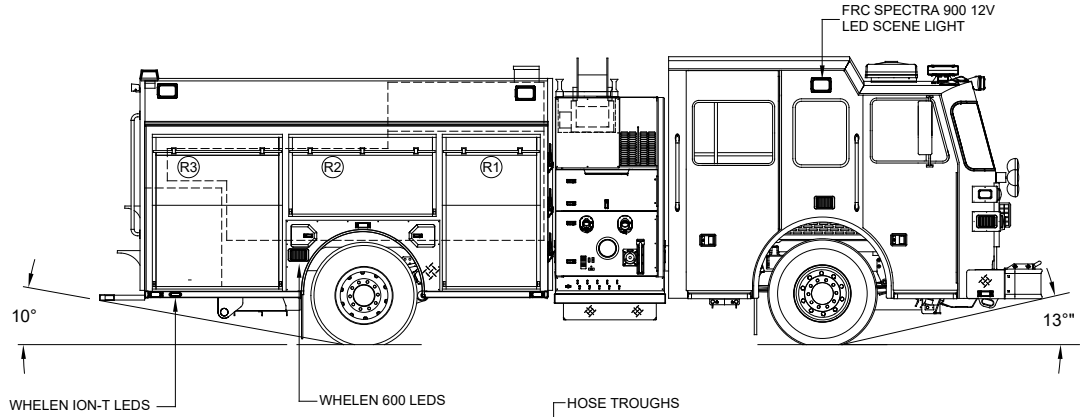


- DUO-SAFETY LADDERS**  
 (1) 14' ROOF  
 (1) 24' 2-SEC  
 (1) 10' FOLDING  
 (1) BACKBOARD STORAGE  
 (2) NY ROOF HOOKS STORAGE

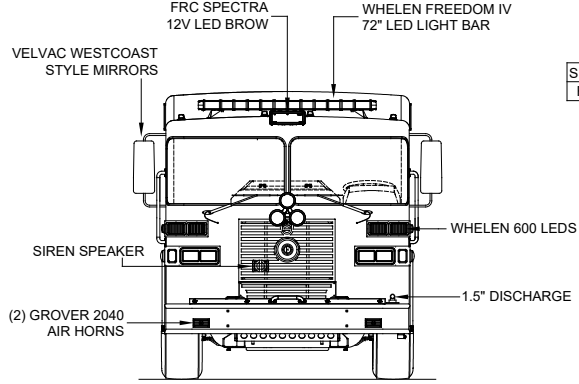
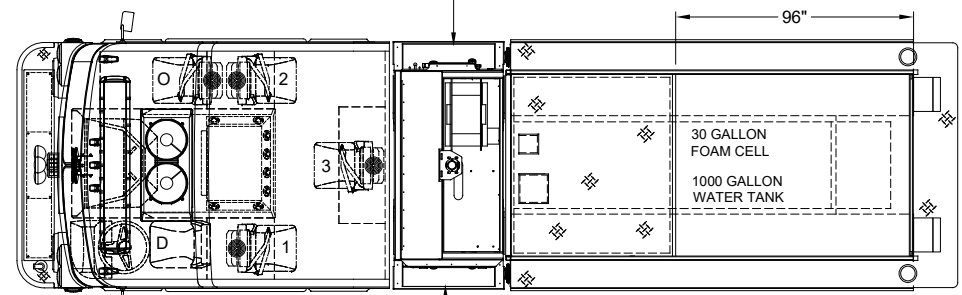


LEFT SIDE COMPARTMENTS				
COMPT	DOORS	OPENING DIMENSIONS	INSIDE DIMENSIONS	VOLUME
L1	ROLL-UP	37.5" w X 55.4" h	43.1" w X 66" h X 27.3" d	40.8 CU. FT. (10" X 10.5" d UPPER)
L2	ROLL-UP	57.5" w X 26.2" h	61.6" w X 36.8" h X 27.3" d	29.8 CU. FT. (10" X 10.5" d UPPER)
L3	ROLL-UP	50.5" w X 55.4" h	53.4" w X 66" h X 27.3" d	50.5 CU. FT. (10" X 10.5" d UPPER)

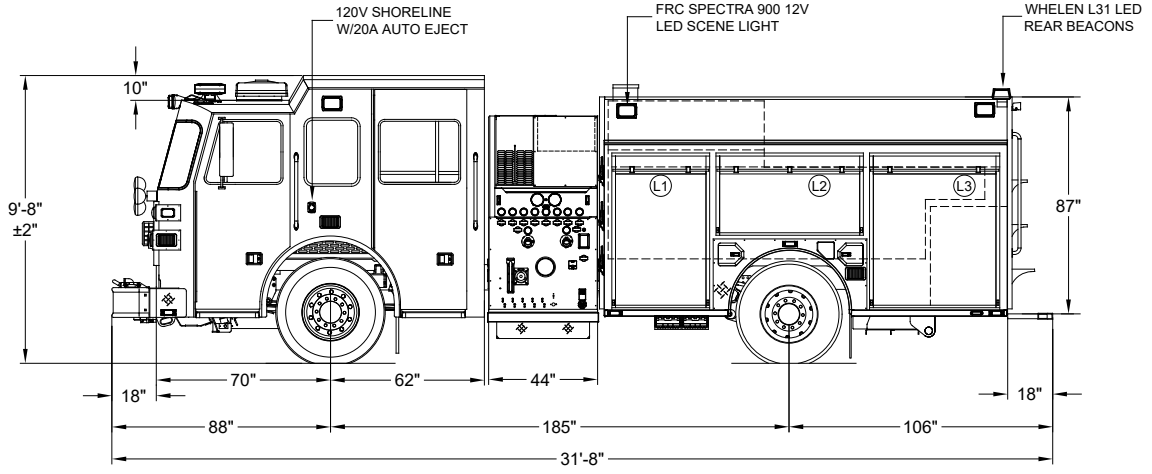
RIGHT SIDE COMPARTMENTS				
COMPT	DOORS	OPENING DIMENSIONS	INSIDE DIMENSIONS	VOLUME
R1	ROLL-UP	37.5" w X 55.4" h	43.1" w X 66" h X 27.3" d	31.1 CU. FT. (33" h X 10.5" d UPPER)
R2	ROLL-UP	57.5" w X 26.2" h	61.6" w X 36.8" h X 10.5" d	13.8 CU. FT.
R3	ROLL-UP	50.5" w X 52.4" h	53.4" w X 66" h X 27.3" d	38.6 CU. FT. (33" h X 10.5" d UPPER)

REAR STEP COMPARTMENT				
COMPT	DOORS	OPENING DIMENSIONS	INSIDE DIMENSIONS	VOLUME
A1	ROLL-UP	37.5" w X 30.8" h	40" h X 40" w X 31" d	28.7 CU. FT.

TOTAL: 233.3 CU.FT.



SINGLE TONE CAB  
 RED: 865040 EW



DIMENSIONS SHOWN ON THIS DRAWING ARE APPROXIMATE AND ARE SUBJECT TO MINOR DEVIATIONS DURING CONSTRUCTION.

IN THE EVENT OF A DISCREPANCY BETWEEN THE SUTPHEN SPECIFICATIONS AND DRAWING, THE SUTPHEN SPECIFICATIONS SHALL PREVAIL.

DRAWING IS FOR REFERENCE ONLY. SOME ITEMS PROPOSED MAY NOT BE SHOWN OR NOTED.

**CUSTOMER APPROVAL**

NAME: \_\_\_\_\_

TITLE: \_\_\_\_\_

DATE: \_\_\_\_\_

REV.	DESCRIPTION	BY	DATE
J	REV-J SHOP ORDER	KMG	04/17/20
I	REV-I SHOP ORDER	KMG	04/16/20
H	REV-H SHOP ORDER (UPDATED PAINT BLOCK INFO)	KMG	04/02/20
G	REV-G SHOP ORDER (UPDATED CUSTOMER INFO)	KMG	03/31/20

DRAWN BY: K. GOON

DATE: 08/05/19

MFG. FACILITY: DUBLIN

**SUTPHEN**

CITY OF DECTUR DEMO 466  
 DECATUR, AL

PROGRAM PUMPER S2

DWG. NO.: HS-6545

THIS PRINT IS PROVIDED ON A RESTRICTED BASIS AND IS NOT TO BE USED IN ANY WAY DETRIMENTAL TO THE INTEREST OF SUTPHEN CORPORATION.