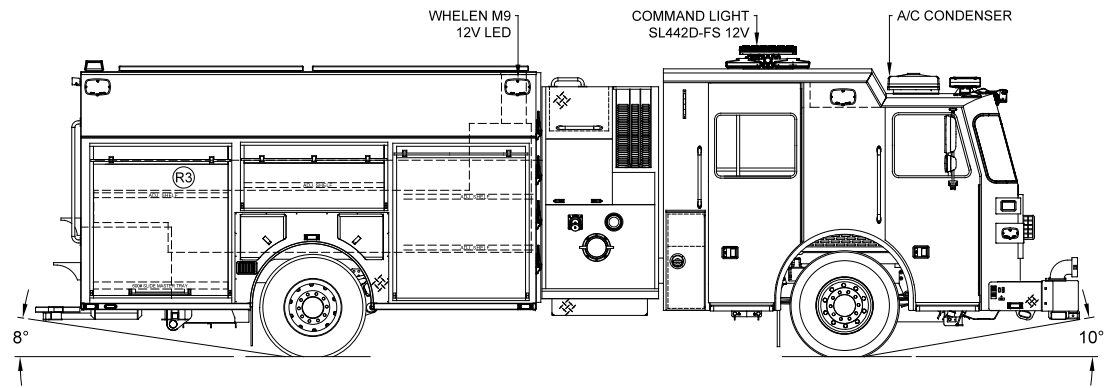


- PIKE BOX
- 10' FOLDING
- (3) PIKE POLE STOR
- LADDER CHUTE
- 28' 2-SEC
- 16' ROOF



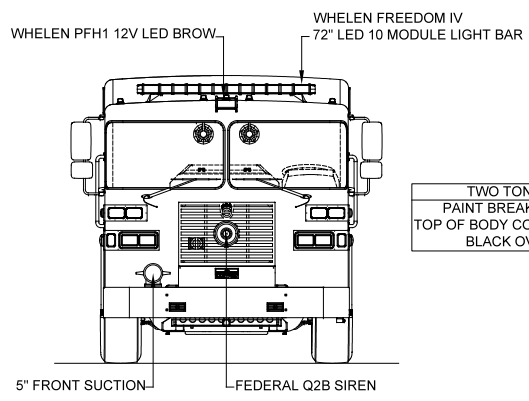
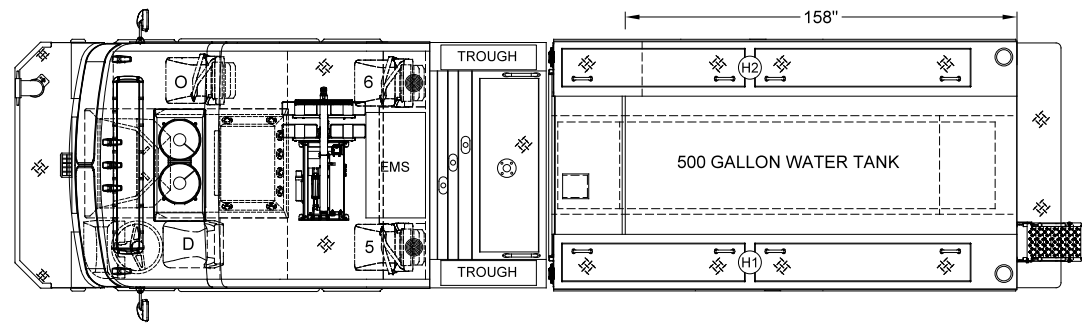
LEFT SIDE COMPARTMENTS				
COMPT	DOORS	OPENING DIMENSIONS	INSIDE DIMENSIONS	VOLUME
L1	ROLL-UP	37.5" W X 55.4" H	58.1" W X 66" H X 27.3" D	56.6 CU. FT.
L2	ROLL-UP	57.5" W X 18.2" H	61.6" W X 28.8" H X 27.3" D	22.0 CU. FT.
L3	ROLL-UP	50.5" W X 55.4" H	58.4" W X 66" H X 27.3" D	55.8 CU. FT.
H1	LIFT-UP	19" W X 55.6" H / 19" W X 87" H	161.8" W X 25.6" H X 21.8" D	52.2 CU. FT.

RIGHT SIDE COMPARTMENTS				
COMPT	DOORS	OPENING DIMENSIONS	INSIDE DIMENSIONS	VOLUME
R1	ROLL-UP	37.5" W X 55.4" H	58.1" W X 66" H X 27.3" D	49.6 CU. FT. (10" X 10.5" D UPPER)
R2	ROLL-UP	57.5" W X 18.2" H	61.6" W X 28.8" H X 18.0" D	14.4 CU. FT. (10" X 10.5" D UPPER)
R3	ROLL-UP	50.5" W X 55.4" H	58.4" W X 66" H X 27.3" D	47.1 CU. FT. (10" X 10.5" D UPPER)
H2	LIFT-UP	19" W X 55.6" H / 19" W X 87" H	161.8" W X 25.6" H X 21.8" D	52.2 CU. FT.

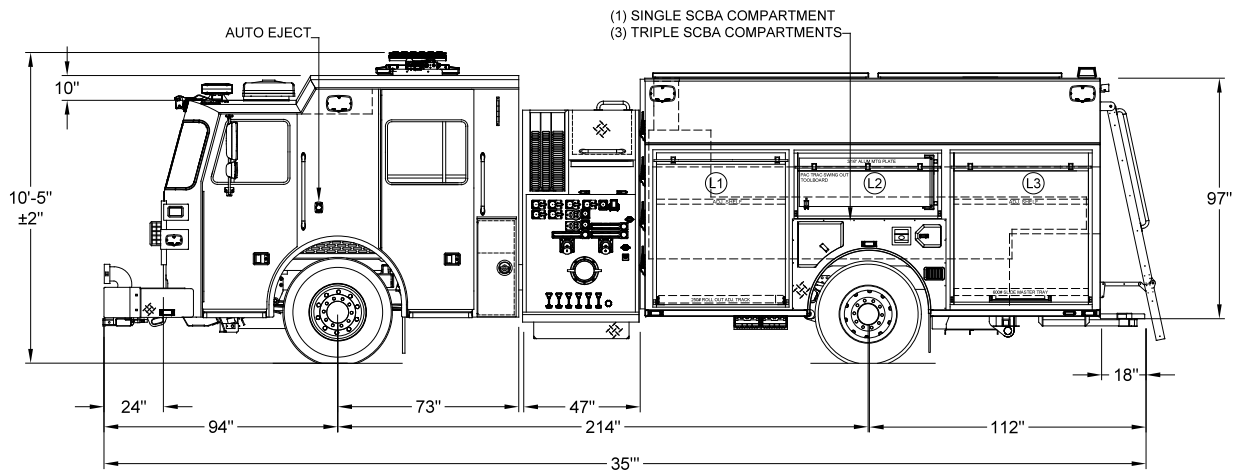
REAR STEP COMPARTMENT				
COMPT	DOORS	OPENING DIMENSIONS	INSIDE DIMENSIONS	VOLUME
A1	ROLL-UP	37" W X 24.2" H	28.2" H X 40" W X 31" D	20.24 CU. FT.

DRIVER SIDE CAB EMS CABINET		PASSENGER SIDE CAB EMS CABINET		REAR CAB EMS CABINET		CAB TRANSVERSE COMPARTMENT	
DIMENSIONS	VOLUME	DIMENSIONS	VOLUME	DIMENSIONS	VOLUME	DIMENSIONS	VOLUME
39" H X 21" W X 18" D	10.42 CU. FT.	39" H X 21" W X 18" D	8.53 CU. FT.	53" H X 46" W X 18" D	25.4 CU. FT.		21.3 CU. FT.

TOTAL: 435.69 CU.FT.



TWO TONE PAINT  
PAINT BREAK #1 ON CAB  
TOP OF BODY COMPTS ON BODY  
BLACK OVER RED



DIMENSIONS SHOWN ON THIS DRAWING ARE APPROXIMATE AND ARE SUBJECT TO MINOR DEVIATIONS DURING CONSTRUCTION.

IN THE EVENT OF A DISCREPANCY BETWEEN THE SUTPHEN SPECIFICATIONS AND DRAWING, THE SUTPHEN SPECIFICATIONS SHALL PREVAIL.

DRAWING IS FOR REFERENCE ONLY. SOME ITEMS PROPOSED MAY NOT BE SHOWN OR NOTED.

CUSTOMER APPROVAL

NAME: \_\_\_\_\_

TITLE: \_\_\_\_\_

DATE: \_\_\_\_\_

REV	DESCRIPTION	BY	DATE
J	**REV-J** SHOP ORDER/ADDED ELECTRIC HOSEBED ACTUATORS	TF	03/16/2020
I	**REV-I** SHOP ORDER/REFERENCE SHOP ORDER CHANGE DOCUMENT ON SHARED DRIVE	TF	03/02/2020
H	**REV-H** SHOP ORDER/REFERENCE SHOP ORDER CHANGE DOCUMENT ON SHARED DRIVE	TF	02/07/2020
G	**REV-G** SHOP ORDER/REFERENCE SHOP ORDER CHANGE DOCUMENT ON SHARED DRIVE	TF	02/06/2020

DRAWN BY: T FAHOURM

DATE: 04/09/2019

MFG. FACILITY: DUBLIN

CUSTOM PUMPER - PA17 (EXTENDED BODY)

DWG. NO.: HS-6458

THIS PRINT IS PROVIDED ON A RESTRICTED BASIS AND IS NOT TO BE USED IN ANY WAY DETRIMENTAL TO THE INTEREST OF SUTPHEN CORPORATION.