

LEFT SIDE COMPARTMENTATION	
COMP. L1	OPENER DIMENSIONS: 37" W X 56" H
COMP. L2	OPENER DIMENSIONS: 43" W X 66" H X 27" D
COMP. L3	OPENER DIMENSIONS: 61" W X 56" H X 27" D
COMP. R1	OPENER DIMENSIONS: 37" W X 56" H
COMP. R2	OPENER DIMENSIONS: 43" W X 66" H X 27" D
COMP. R3	OPENER DIMENSIONS: 61" W X 56" H X 27" D
COMP. A1	OPENER DIMENSIONS: 37" W X 56" H

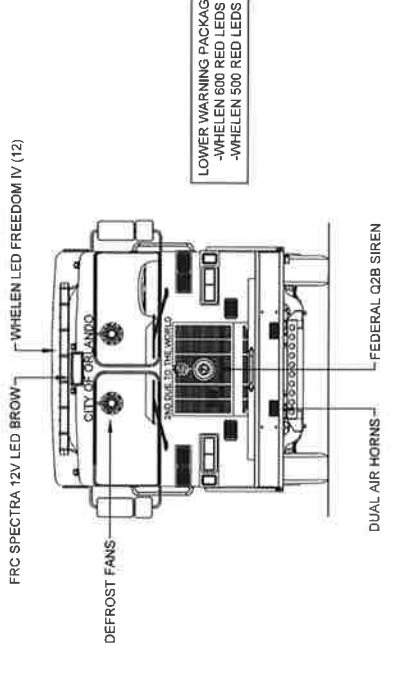
  

RIGHT SIDE COMPARTMENTATION	
COMP. B	OPENER DIMENSIONS: 43" W X 66" H X 27" D
COMP. C	OPENER DIMENSIONS: 61" W X 56" H X 27" D
COMP. D	OPENER DIMENSIONS: 37" W X 56" H
COMP. E	OPENER DIMENSIONS: 43" W X 66" H X 27" D
COMP. F	OPENER DIMENSIONS: 61" W X 56" H X 27" D

REAR STEP COMPARTMENTS	
COMP. G	OPENER DIMENSIONS: 40" W X 40" H X 20" D
COMP. H	OPENER DIMENSIONS: 40" W X 40" H X 20" D

TOTAL: 222 CU.FT.



**CUSTOMER APPROVAL**

NAME: \_\_\_\_\_

TITLE: \_\_\_\_\_

DATE: \_\_\_\_\_

DRAMA ETC: \_\_\_\_\_

R MILLER \_\_\_\_\_

DATE: 12/18/17

DATE: 03/15/17

DATE: 05/18/17

DATE: \_\_\_\_\_

**SUTPHEN**  
ORLANDO FIRE DEPARTMENT  
ORLANDO, FL  
CUSTOM FLUMBER - 02 8000  
HS-602-30

THIS PRINT IS PROVIDED ON A RESTRICTED BASIS AND IS NOT TO BE USED IN ANY WAY OTHER THAN THAT FOR WHICH IT WAS SPECIFICALLY DESIGNED.