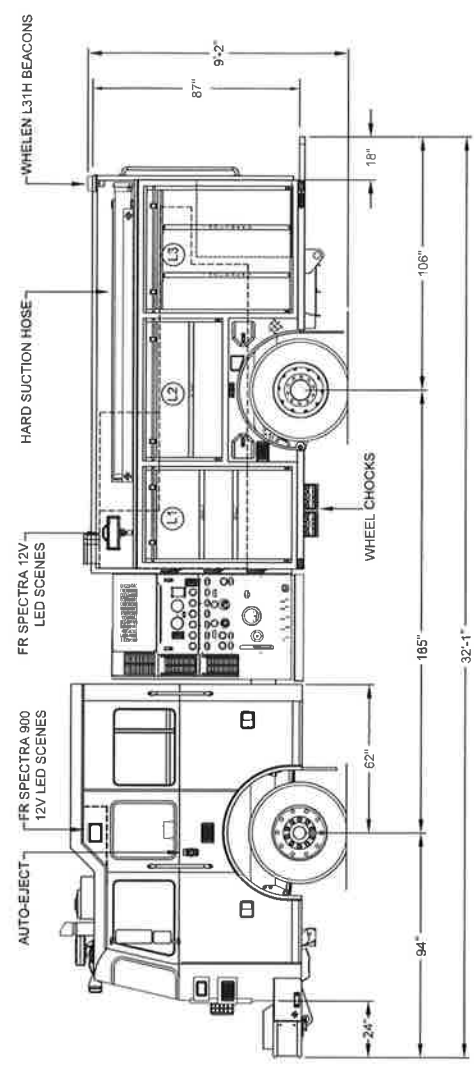
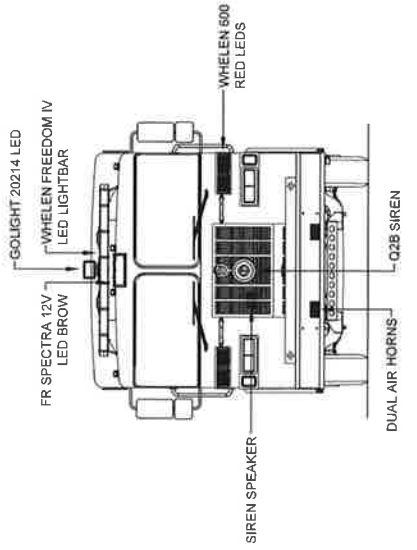


COMP	DOORS	OPENING DIMENSIONS	INSIDE DIMENSIONS	VOLUME
L1	DOUBLE	37-1/2" W X 62-3/8" H	43" W X 65" H X 27-1/4" D	40 CU. FT.
L2	LIFT-JUP	57-1/2" W X 32-1/8" H	61-5/8" W X 35-3/4" X 27-1/4" D	37 CU. FT.
L3	DOUBLE	59-1/2" W X 62-3/8" H	52-1/2" W X 65" H X 27-1/4" D	58 CU. FT.
R1	DOUBLE	37-1/2" W X 62-3/8" H	43" W X 65" H X 27-1/4" D	40 CU. FT.
R2	LIFT-JUP	38" X 32-1/8" H	44-3/8" W X 35-3/4" X 27-1/4" D	21 CU. FT.
R3	DOUBLE	59-1/2" W X 62-3/8" H	52-1/2" W X 65" H X 27-1/4" D	59 CU. FT.
REAR STEP COMPARTMENTS				
COMP	DOORS	OPENING DIMENSIONS	INSIDE DIMENSIONS	VOLUME
A1	ROLL-UP	37" W X 22" H	40" W X 40" W X 30" D	23 CU. FT.

TOTAL: 283 CU. FT.



DIMENSIONS SHOWN ON THIS DRAWING ARE APPROXIMATE AND ARE SUBJECT TO MINOR DEVIATIONS DURING CONSTRUCTION.

IN THE EVENT OF A DISCREPANCY BETWEEN THE SUTPHEN SPECIFICATIONS AND DRAWING, THE SUTPHEN SPECIFICATIONS SHALL PREVAIL.

DRAWING IS FOR REFERENCE ONLY. SOME ITEMS PROPOSED MAY NOT BE SHOWN OR NOTED.

CUSTOMER APPROVAL

NAME: _____
 TITLE: _____
 DATE: _____

REV.	DATE	BY	DESCRIPTION
C	05/28/17	JM	DRAWING CORRECTION
B	11/28/16	JM	REV-B SHOP ORDER

DESIGNED BY: J. MORGAN
 DATE: 11/08/2016
 WHEEL HORN: _____
 DATE: _____
 DUBLIN

SUTPHEN

DEM0 430
 CUSTOM NUMBER - 03-B00V
 RS-395

THIS PRINT IS PROVIDED ON A RESTRICTED BASIS AND IS NOT TO BE USED IN ANY MANNER DETRIMENTAL TO THE INTEREST OF SUTPHEN CORPORATION.