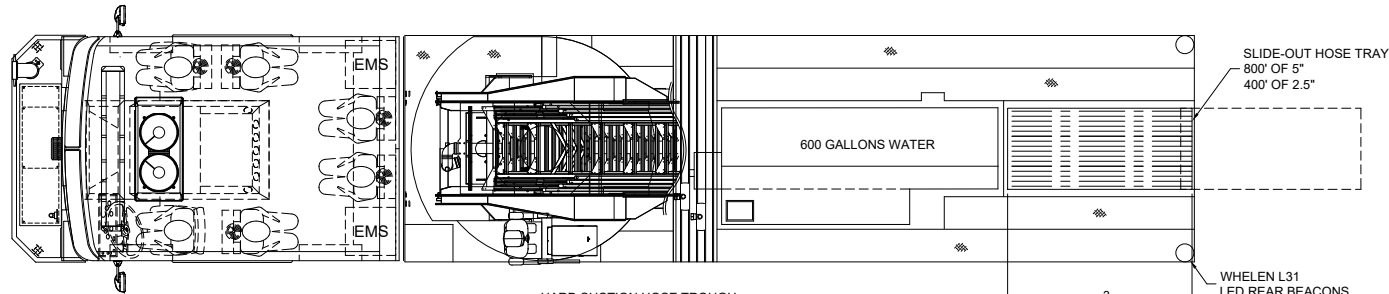
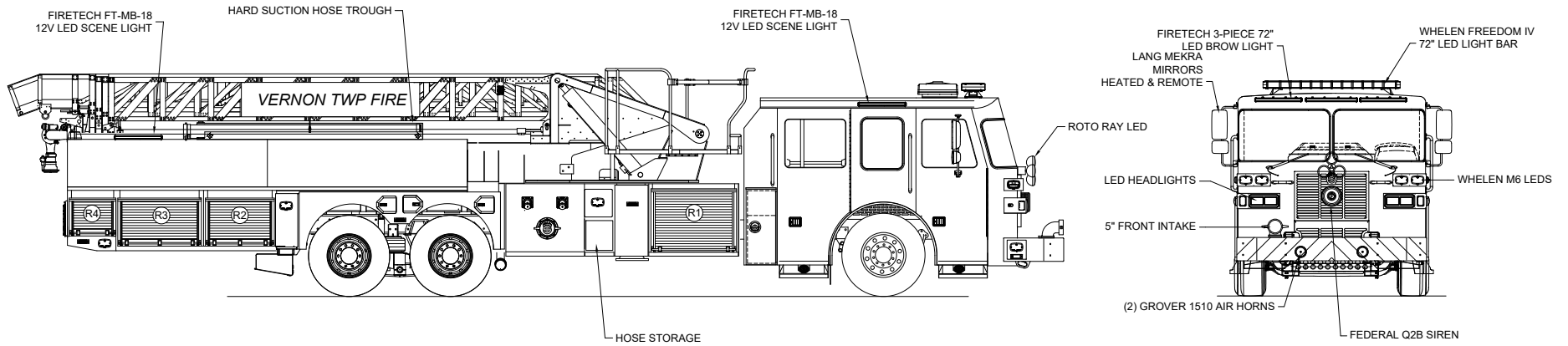
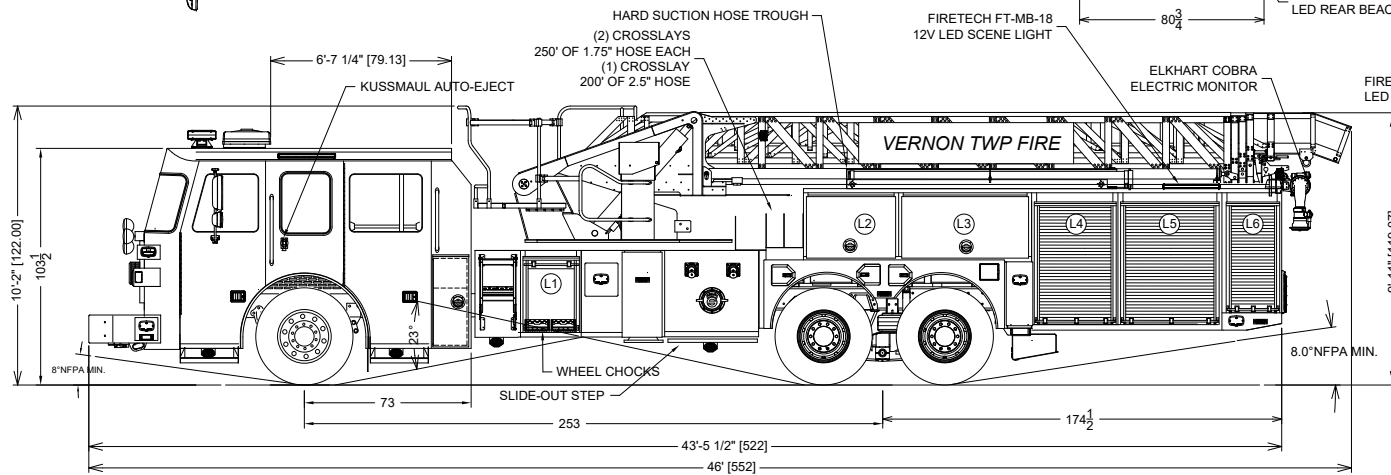


COMPT	DOORS	OPENING DIMENSIONS	INSIDE DIMENSIONS	VOLUME
L1	ROLL-UP	-	HYDRAULICS & WHEEL CHOCKS	N/A
L2	HINGED	32.75"W x 24.00"H	41.25"W x 28.25"H x 12"D	8.09 CU. FT.
L3	HINGED	49.25"W x 24.00"H	57.75"W x 28.25"H x 12"D	11.33 CU. FT.
L4	ROLL-UP	31.25"W x 43.00"H	37.75"W x 52.50"H x 26.50"D	30.39 CU. FT.
L5	ROLL-UP	39.00"W x 43.00"H	45.50"W x 52.50"H x 26.50"D	36.63 CU. FT.
L6	ROLL-UP	16.00"W x 37.75"H	22.50"W x 47.25"H x 26.50"D	16.30 CU. FT.

COMPT	DOORS	OPENING DIMENSIONS	INSIDE DIMENSIONS	VOLUME
R1 UPPER	ROLL-UP	39.00"W x 25.66"H	47.75"W x 26.50"H x 18.50"D	13.54 CU. FT.
R1 LOWER			47.75"W x 9.75"H x 6.90"D	1.85 CU. FT.
R2	ROLL-UP	31.25"W x 43.00"H	37.75"W x 29.00"H x 26.50"D	16.78 CU. FT.
R3	ROLL-UP	39.00"W x 43.00"H	45.50"W x 29.00"H x 26.50"D	20.23 CU. FT.
R4	ROLL-UP	16.50"W x 43.00"H	22.50"W x 24.00"H x 26.50"D	8.09 CU. FT.
A1	HINGED	25.00"W x 9.50"H	25.00"W x 9.50"H x 88.00"D	12.09 CU. FT.
TOTAL VOLUME				175.32 CU. FT.



- ALCO-LITE AERIAL LADDER COMPLIMENT
- FL-1 10' FOLDING (FLY SECTION OF AERIAL)
- PRL-14 14' ROOF (BODY CHUTE)
- PRL-16 16' ROOF (BASE SECTION OF AERIAL)
- PRL-16 16' ROOF (BODY CHUTE)
- PEL-24 24' 2-SECTION (BODY CHUTE)
- PEL-35 35' 3-SECTION (BODY CHUTE)



DIMENSIONS SHOWN ON THIS DRAWING ARE APPROXIMATE AND ARE SUBJECT TO MINOR DEVIATIONS DURING CONSTRUCTION.

IN THE EVENT OF A DISCREPANCY BETWEEN THE SUTPHEN SPECIFICATIONS AND DRAWING, THE SUTPHEN SPECIFICATIONS SHALL PREVAIL.

DRAWING IS FOR REFERENCE ONLY. SOME ITEMS PROPOSED MAY NOT BE SHOWN OR NOTED.

CUSTOMER APPROVAL

NAME: _____

TITLE: _____

DATE: _____

REV.	DESCRIPTION	BY	DATE

DRAWN BY: APF

DATE: 10-17-24

MFG. FACILITY: HILLIARD

VERNON TWP. FIRE DEPT.
FORTVILLE, IN

SL100
HS-8244