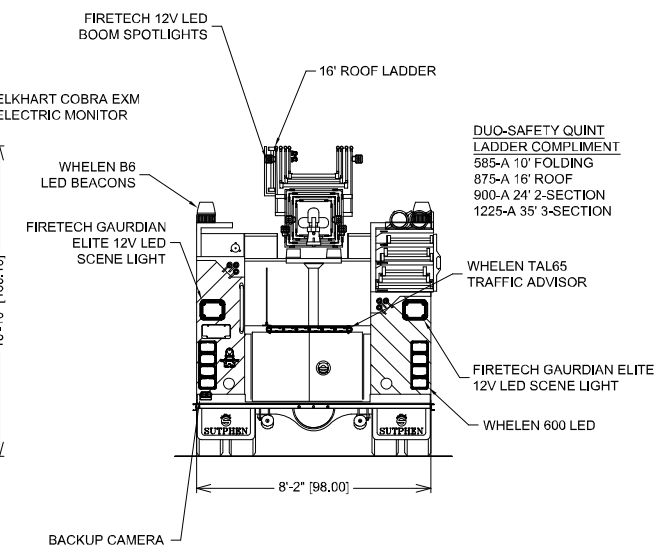
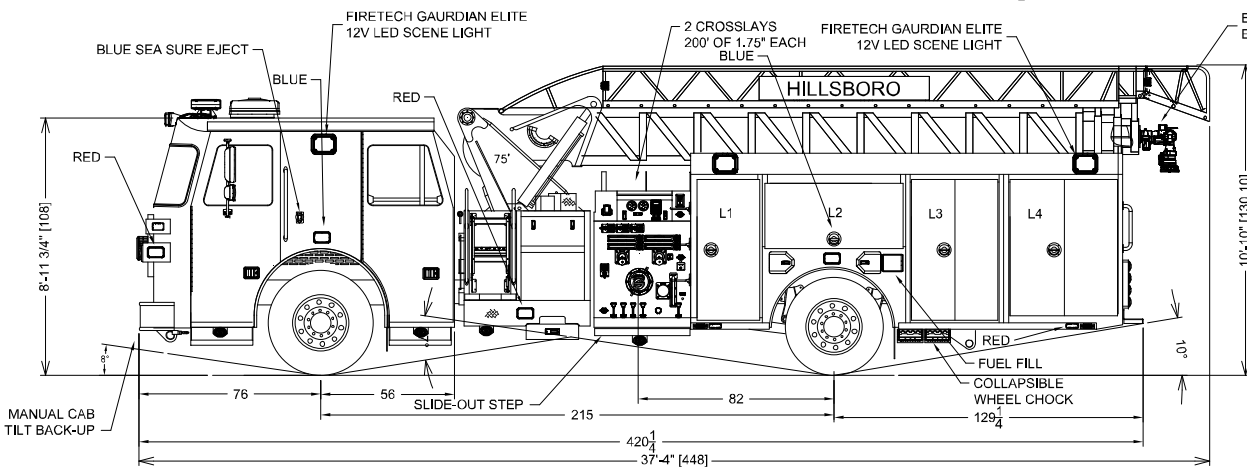
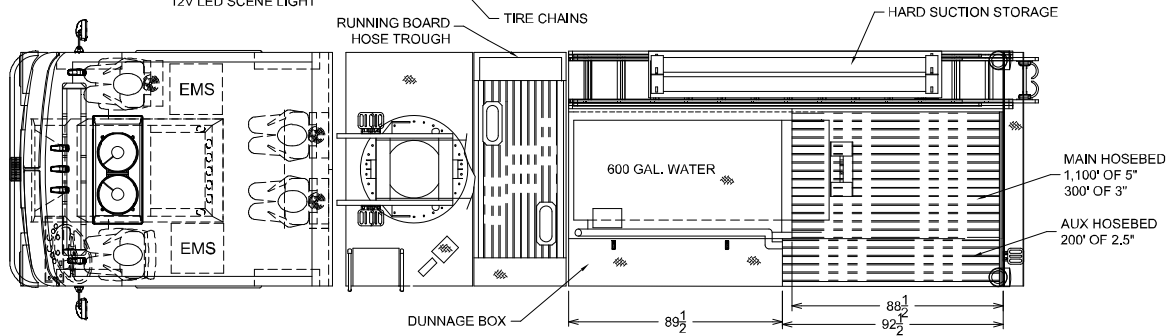
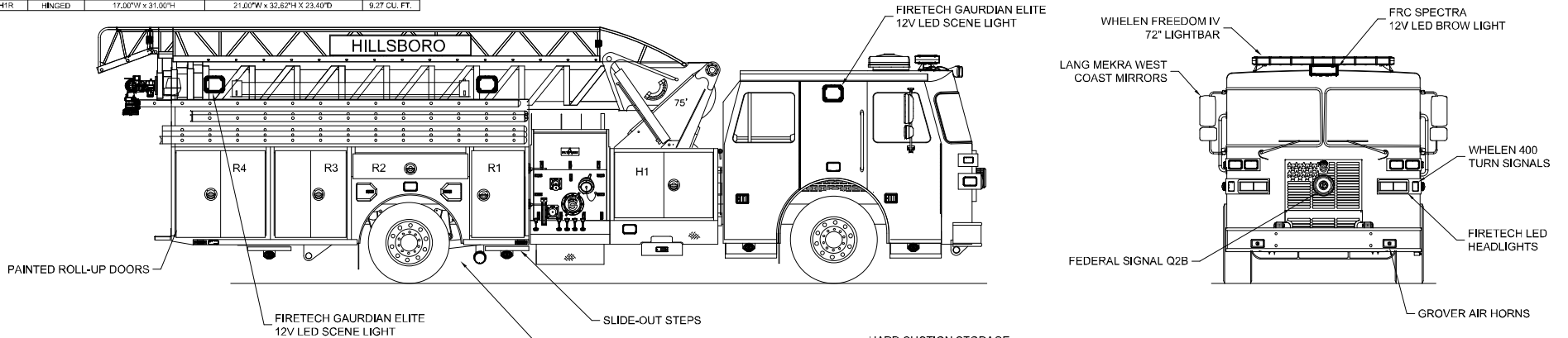


COMPT	DOORS	OPENING DIMENSIONS	INSIDE DIMENSIONS	VOLUME
L1	HINGED	22.75"W x 53.00"H	29.75"W x 59.00"H x 17.75"D	18.02 CU. FT.
L2	HINGED	51.50"W x 24.00"H	60.00"W x 28.25"H x 17.75"D	17.41 CU. FT.
L3	HINGED	37.75"W x 53.00"H	44.75"W x 59.00"H x 17.75"D	27.12 CU. FT.
L4	HINGED	42.00"W x 53.00"H	47.25"W x 57.00"H x 17.75"D	27.90 CU. FT.
A1	HINGED	44.50"W x 28.50"H	53.00"W x 29.75"H x 17.75"D	49.97 CU. FT.
H1F	HINGED	18.00"W x 31.00"H	22.00"W x 32.52"H x 23.40"D	9.71 CU. FT.
H1R	HINGED	17.00"W x 31.00"H	21.00"W x 32.52"H x 23.40"D	9.27 CU. FT.

COMPT	DOORS	OPENING DIMENSIONS	INSIDE DIMENSIONS	VOLUME
R1	HINGED	22.75"W x 40.00"H	29.75"W x 45.00"H x 22.75"D	17.62 CU. FT.
R2	HINGED	50.00"W x 9.25"H	60.00"W x 14.00"H x 22.75"D	11.65 CU. FT.
R3	HINGED	37.75"W x 40.00"H	44.75"W x 45.00"H x 22.75"D	20.88 CU. FT.
R4	HINGED	42.00"W x 38.00"H	47.25"W x 43.00"H x 22.75"D	28.74 CU. FT.
TOTAL VOLUME				226.85 CU. FT.



DIMENSIONS SHOWN ON THIS DRAWING ARE APPROXIMATE AND ARE SUBJECT TO MINOR DEVIATIONS DURING CONSTRUCTION.	CUSTOMER APPROVAL					DRAWN BY:	
	NAME: _____					APF	
IN THE EVENT OF A DISCREPANCY BETWEEN THE SUTPHEN SPECIFICATIONS AND DRAWING, THE SUTPHEN SPECIFICATIONS SHALL PREVAIL.	TITLE: _____					DATE:	12/8/23
DRAWING IS FOR REFERENCE ONLY. SOME ITEMS PROPOSED MAY NOT BE SHOWN OR NOTED.	DATE: _____					MFG. FACILITY:	HILLSBORO, MO
	REV.	DESCRIPTION				HILLIARD	SA75
							HS-8148

THIS PRINT IS PROVIDED ON A RESTRICTED BASIS AND IS NOT TO BE USED IN ANY WAY DETRIMENTAL TO THE INTEREST OF SUTPHEN CORPORATION.