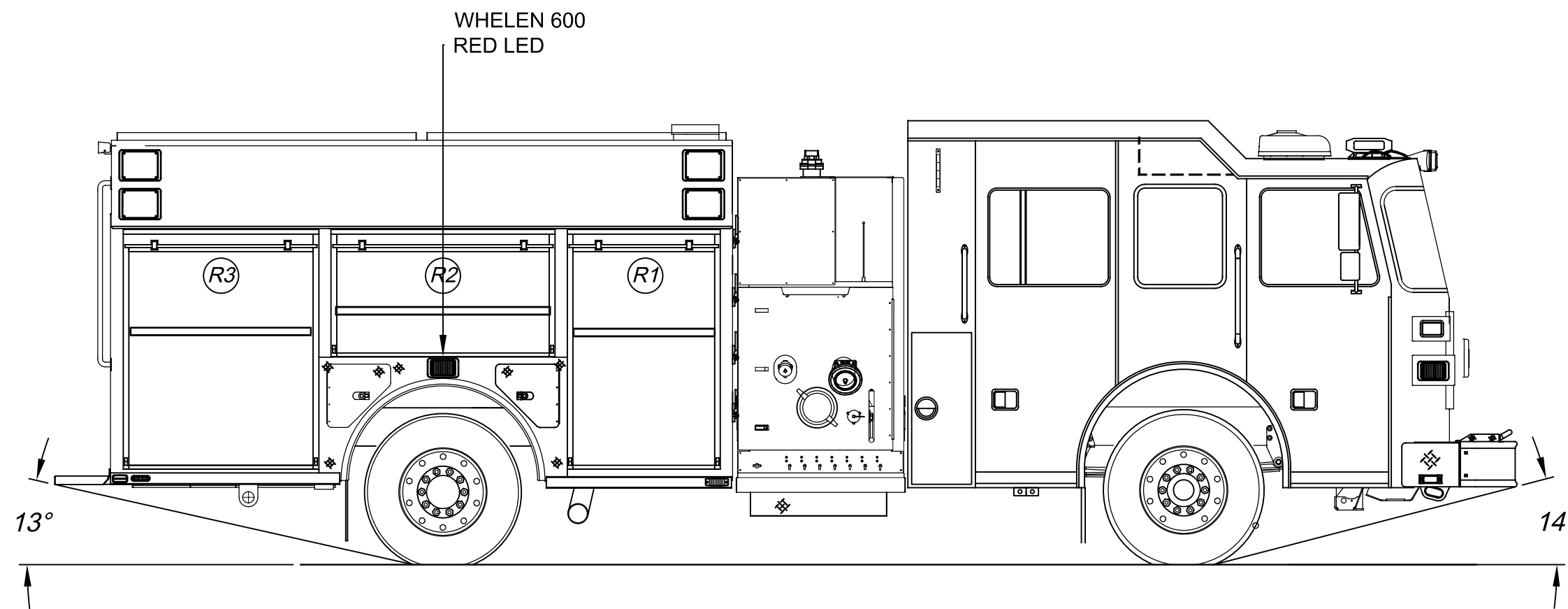


LADDER CHUTE  
24'-2 SEC  
14' ROOF  
10' FOLDING  
(2) SUCTION HOSE  
(2) PIKE POLE



| LEFT SIDE COMPARTMENTATION |         |                        |                         |              |
|----------------------------|---------|------------------------|-------------------------|--------------|
| COMPT                      | DOORS   | INSIDE DIMENSIONS      | DOOR OPENING DIMENSIONS | VOLUME       |
| L1                         | ROLL-UP | 40"W X 66"H X 26"D     | 37 1/2"W X 56 1/2"H     | 37.4 CU. FT. |
| L2                         | ROLL-UP | 59"W X 31 1/2"H X 26"D | 56 1/4"W X 27"H         | 28.4 CU. FT. |
| L3                         | ROLL-UP | 51 1/2"W X 66"H X 26"D | 48 3/4"W X 56 1/2"H     | 47.4 CU. FT. |
| L4/L5                      | LIFT-UP | 82"W X 13.5"H X 19"D   | 75"W X 9.5"H            | 24 CU. FT.   |

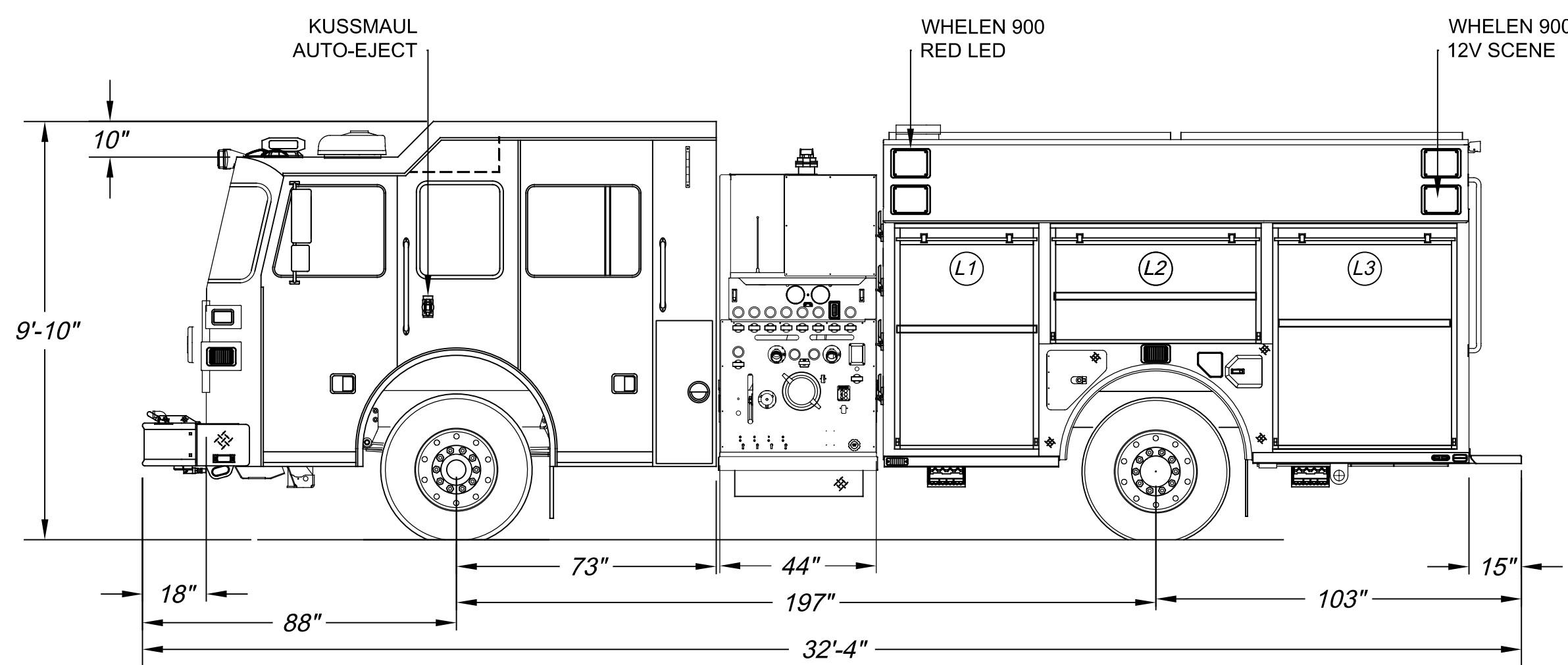
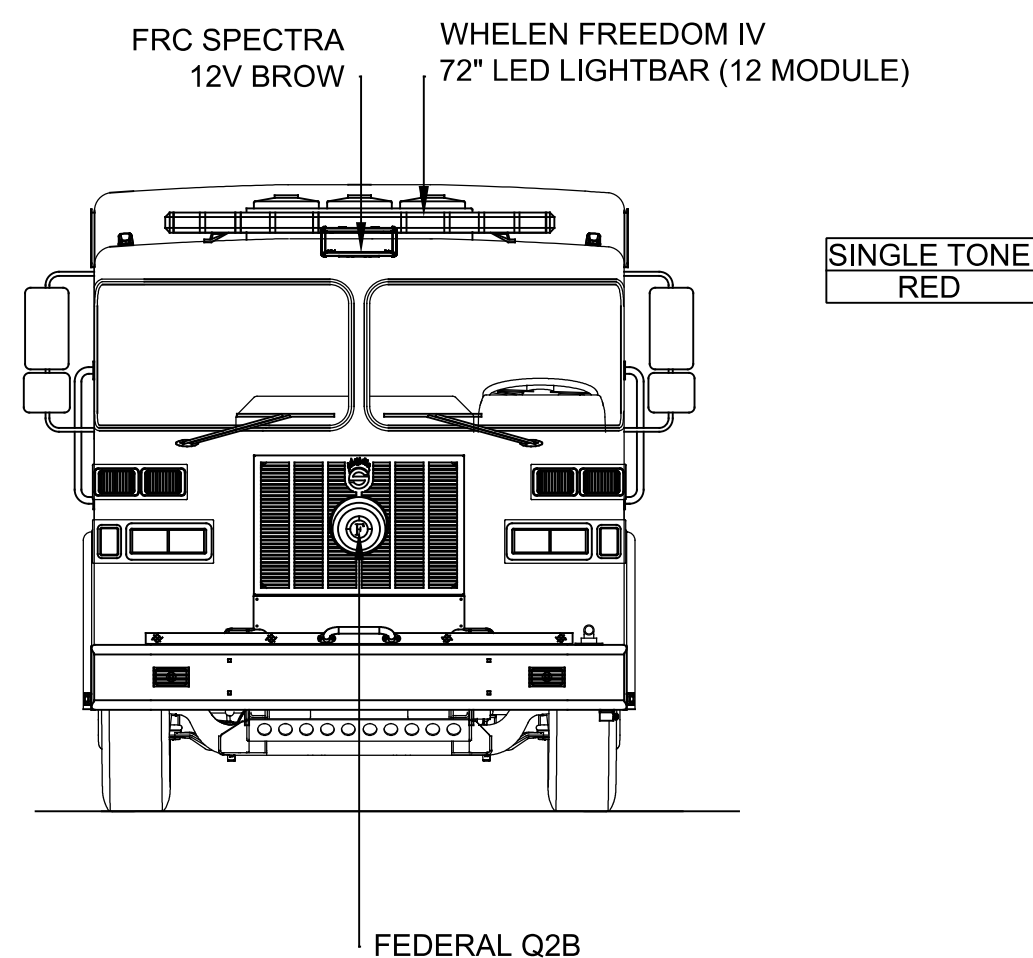
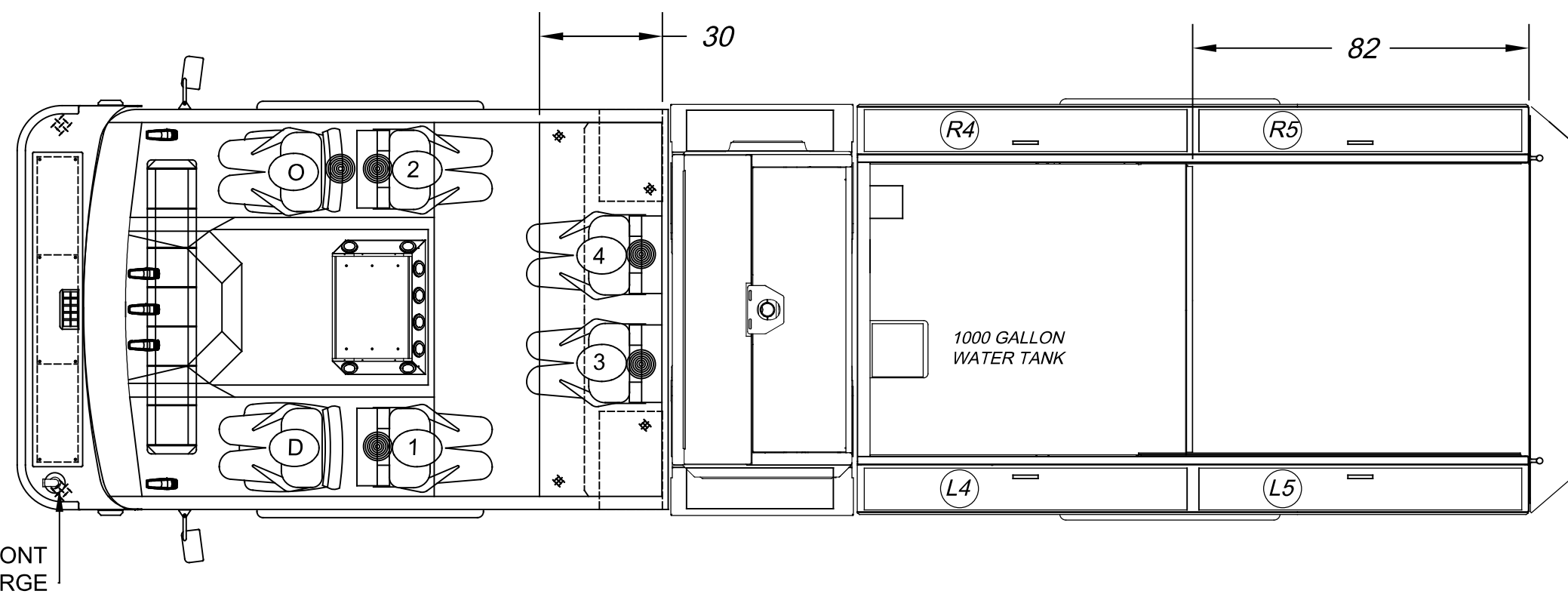
  

| RIGHT SIDE COMPARTMENTATION |         |                        |                         |              |
|-----------------------------|---------|------------------------|-------------------------|--------------|
| COMPT                       | DOORS   | INSIDE DIMENSIONS      | DOOR OPENING DIMENSIONS | VOLUME       |
| R1                          | ROLL-UP | 40"W X 66"H X 26"D     | 37 1/2"W X 56 1/2"H     | 37.4 CU. FT. |
| R2                          | ROLL-UP | 59"W X 31 1/2"H X 26"D | 56 1/4"W X 27"H         | 28.4 CU. FT. |
| R3                          | ROLL-UP | 51 1/2"W X 66"H X 26"D | 48 3/4"W X 56 1/2"H     | 47.4 CU. FT. |
| L4/L5                       | LIFT-UP | 82"W X 13.5"H X 19"D   | 75"W X 9.5"H            | 24 CU. FT.   |

| REAR STEP COMPARTMENT |         |                        |                         |              |
|-----------------------|---------|------------------------|-------------------------|--------------|
| COMPT                 | DOORS   | INSIDE DIMENSIONS      | DOOR OPENING DIMENSIONS | VOLUME       |
| A1                    | ROLL-UP | 39 1/2"W X 28"H X 31"D | 36 3/4"W X 19"H         | 19.8 CU. FT. |

BASE STORAGE: 246 CU. FT.  
TOTAL STORAGE: 294 CU. FT.



DIMENSIONS SHOWN ON THIS DRAWING ARE APPROXIMATE AND ARE SUBJECT TO MINOR DEVIATIONS DURING CONSTRUCTION.

IN THE EVENT OF A DISCREPANCY BETWEEN THE SUTPHEN SPECIFICATIONS AND DRAWING, THE SUTPHEN SPECIFICATIONS SHALL PREVAIL.

DRAWING IS FOR REFERENCE ONLY. SOME ITEMS PROPOSED MAY NOT BE SHOWN OR NOTED.

CUSTOMER APPROVAL

NAME: \_\_\_\_\_

TITLE: \_\_\_\_\_

DATE: \_\_\_\_\_

| REV. | DESCRIPTION                         | BY | DATE     |
|------|-------------------------------------|----|----------|
| B    | REFERENCE SHOP ORDER REVISION EMAIL | TF | 10/14/24 |
| A    | **REV-A** SHOP ORDER                | TF | 04/04/24 |

DRAWN BY:  
T.FAHOUM

DATE:  
04/04/24

MFG. FACILITY:  
URBANA PUMPER DIVISION

STOCK 574

PROGRAM 1 CUSTOM PUMPER

DWG. NO.: HS-8092