

120V SHORELINE  
KUSSMAUL AUTO-EJECT

AIR EJECT

DIMENSIONS SHOWN ON THIS DRAWING ARE APPROXIMATE AND ARE SUBJECT TO MINOR DEVIATIONS DURING CONSTRUCTION.

IN THE EVENT OF A DISCREPANCY BETWEEN THE SUTPHEN SPECIFICATIONS AND DRAWING, THE SUTPHEN SPECIFICATIONS SHALL PREVAIL.

DRAWING IS FOR REFERENCE ONLY. SOME ITEMS PROPOSED MAY NOT BE SHOWN OR NOTED.

CUSTOMER APPROVAL

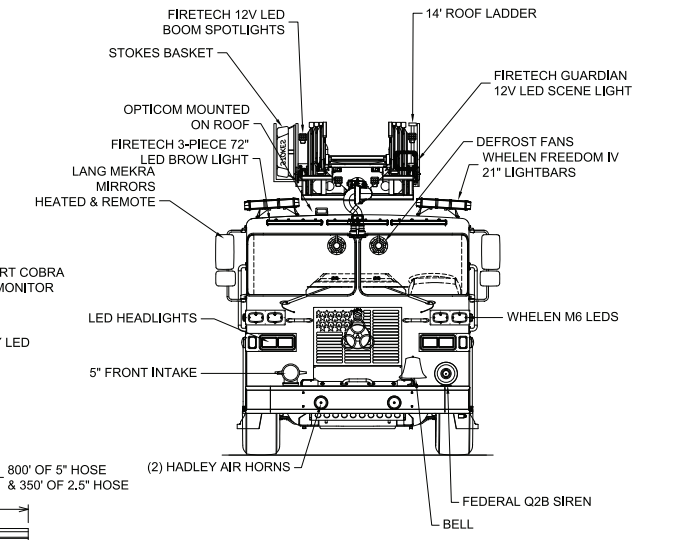
NAME: \_\_\_\_\_

TITLE: \_\_\_\_\_

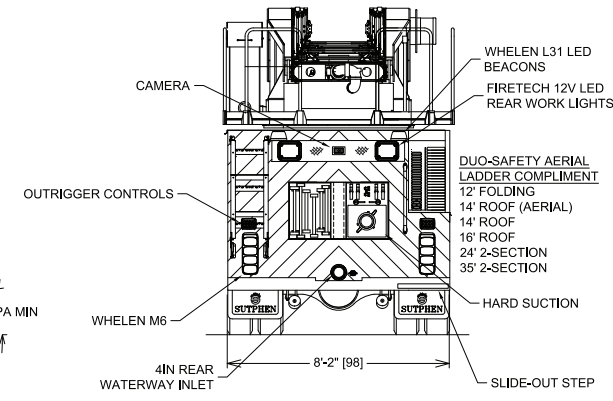
DATE: \_\_\_\_\_

REV.	DESCRIPTION	BY	DATE

THIS PRINT IS PROVIDED ON A RESTRICTED BASIS AND IS NOT TO BE USED IN ANY WAY DETRIMENTAL TO THE INTEREST OF SUTPHEN CORPORATION.



COMPT	DOORS	INSIDE DIMENSIONS	VOLUME
L1	HINGED	38.23"W x 45.43"H x 16.75"D	16.83 CU. FT.
L2	HINGED	37.96"W x 75.80"H x 20.00"D	33.30 CU. FT.
L3	HINGED	46.88"W x 45.43"H x 20.00"D	24.64 CU. FT.
L4	HINGED	61.85"W x 36.17"H x 20.00"D	25.89 CU. FT.
L5	HINGED	37.84"W x 62.04"H x 20.00"D	27.17 CU. FT.
L6	HINGED	48.48"W x 36.17"H x 16.81"D	17.85 CU. FT.
L7	HINGED	12.17"W x 30.30"H x 20.00"D	4.26 CU. FT.
R1	HINGED	33.47"W x 45.41"H x 16.81"D	14.76 CU. FT.
R2	HINGED	42.71"W x 75.79"H x 20.00"D	37.48 CU. FT.
R3	HINGED	33.10"W x 30.30"H x 20.00"D	11.60 CU. FT.
R4	HINGED	19.79"W x 30.30"H x 20.00"D	6.94 CU. FT.
TOTAL VOLUME			219.92 CU. FT.



**SUTPHEN**

WATERTOWN FIRE DEPARTMENT  
WATERTOWN, MN

SLR108  
HS-7611

DRAWN BY: APF  
DATE: 4/26/22  
MFG. FACILITY: HILLIARD