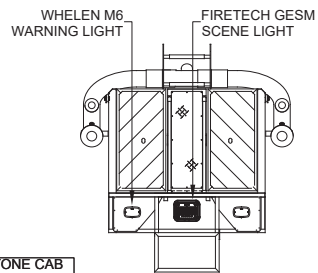
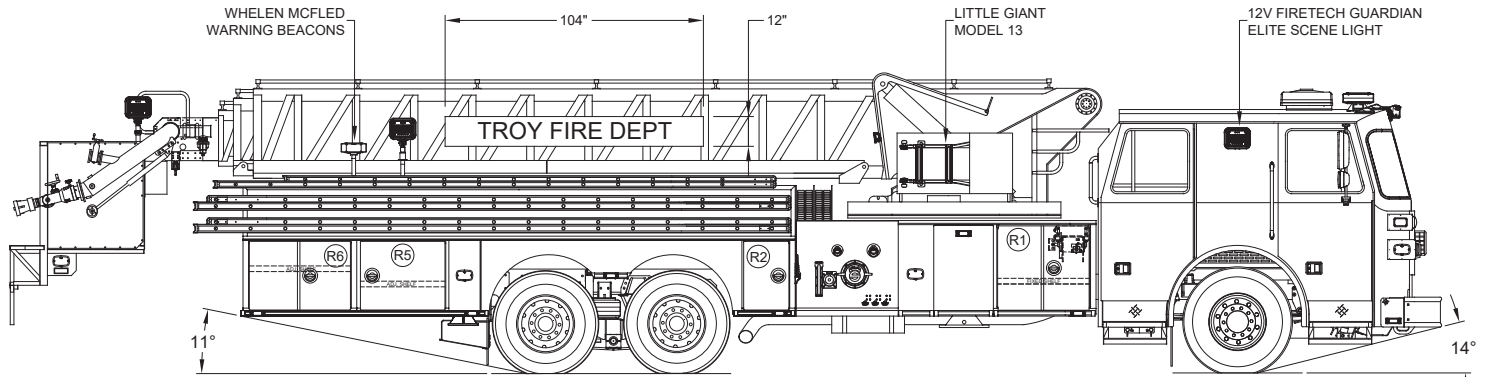
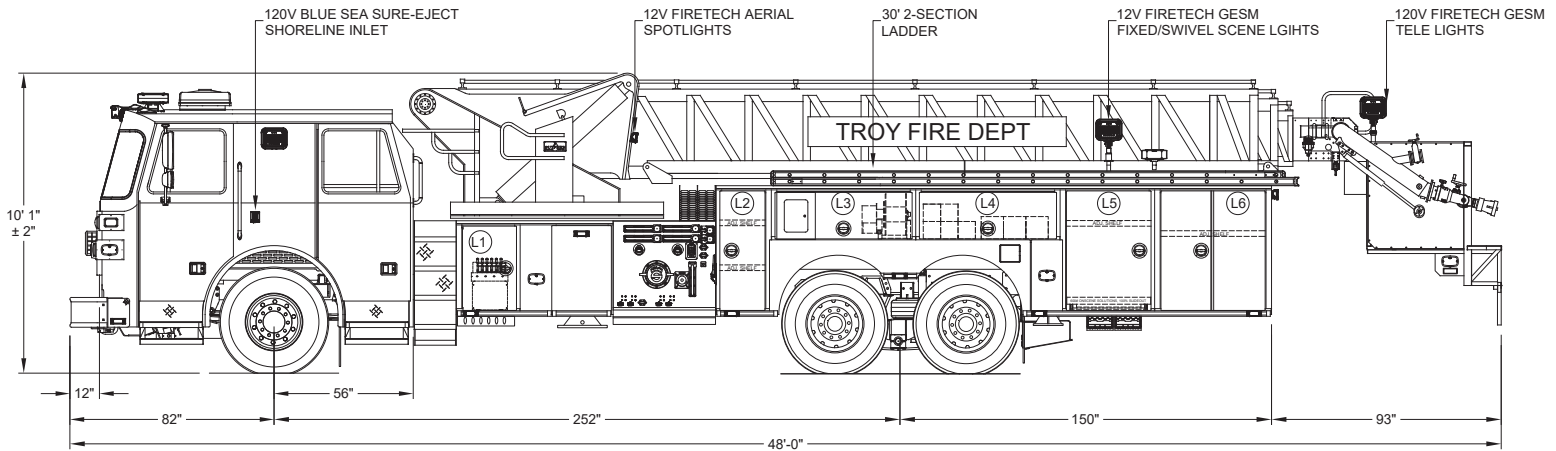
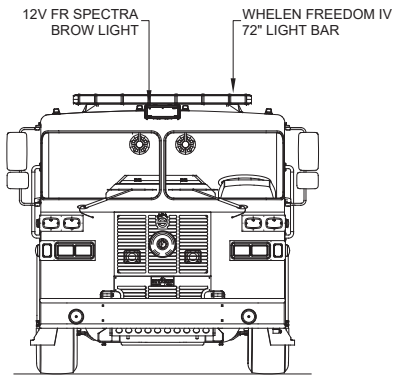
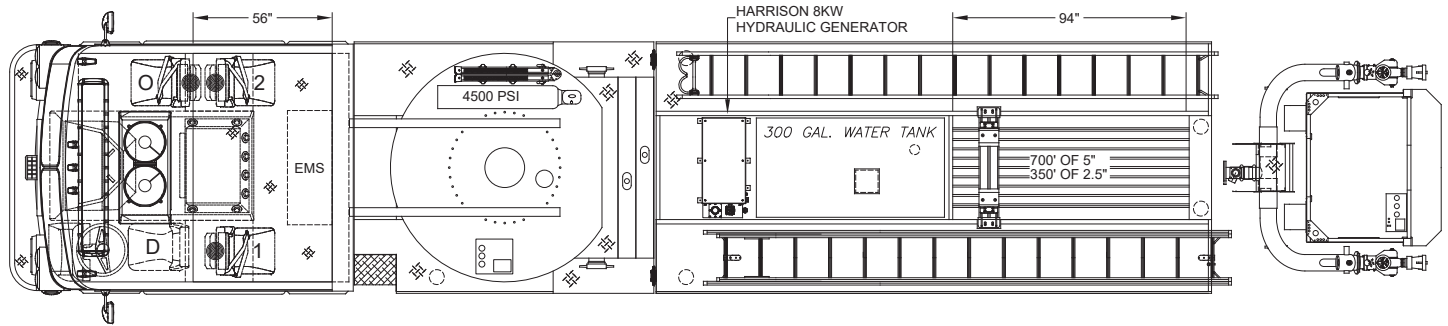


LADDER BANK
(1) 16' ROOF
(1) 18' ROOF
(2) 35' 2-SEC



TWO TONE CAB
WHITE OVER RED
PAINT BREAK #7



LEFT SIDE

DOOR OPENINGS			COMPARTMENT DIMENSIONS		
COMPT	HEIGHT	WIDTH	HEIGHT	WIDTH	DEPTH
L1	31	19 3/4	34 3/8	26 5/8	26 1/2
L2	45 1/8	16 1/2	48 1/2	22	26 1/2
L3 & L4	16 5/8	52 1/4	19 1/8	57 3/4	26 1/2
L5	45 1/8	32 1/8	48 1/2	37 3/4	26 1/2
L6	45 1/8	39 7/8	48 1/2	45 3/4	26 1/2

DOOR OPENINGS			COMPARTMENT DIMENSIONS		
COMPT	HEIGHT	WIDTH	HEIGHT	WIDTH	DEPTH
R1	31	36 3/4	34 3/8	42 1/2	26 1/2
R2	24 3/4	16 1/2	28	22	26 1/2
R5	24 3/4	32 1/8	28	37 3/4	26 1/2
R6	24 3/4	39 7/8	28	45 3/4	26 1/2

REAR COMPARTMENT

DOOR OPENINGS			COMPARTMENT DIMENSIONS		
COMPT	HEIGHT	WIDTH	HEIGHT	WIDTH	DEPTH
A1	15 3/4	27	14 1/4	25 1/2	88 3/4

DIMENSIONS SHOWN ON THIS DRAWING ARE APPROXIMATE AND ARE SUBJECT TO MINOR DEVIATIONS DURING CONSTRUCTION.

IN THE EVENT OF A DISCREPANCY BETWEEN THE SUTPHEN SPECIFICATIONS AND DRAWING, THE SUTPHEN SPECIFICATIONS SHALL PREVAIL.

DRAWING IS FOR REFERENCE ONLY. SOME ITEMS PROPOSED MAY NOT BE SHOWN OR NOTED.

CUSTOMER APPROVAL

NAME: _____

TITLE: _____

DATE: _____

REV.	DESCRIPTION	BY	DATE
H	REV-H SHOP ORDER/REFERENCE SHOP ORDER CHANGE DOCUMENT ON SHARED DRIVE	TF	10/18/2023
G	REV-G SHOP ORDER/REFERENCE SHOP ORDER CHANGE DOCUMENT ON SHARED DRIVE	TF	10/04/2023
F	REV-F SHOP ORDER/REFERENCE SHOP ORDER CHANGE DOCUMENT ON SHARED DRIVE	TF	10/04/2023
E	REV-E SHOP ORDER/REFERENCE SHOP ORDER CHANGE DOCUMENT ON SHARED DRIVE	TF	09/21/2023

DRAWN BY: T.FAHOUM
DATE: 06/23/2021
MFG FACILITY: DUBLIN

SUTPHEN
TROY FIRE DEPARTMENT
TROY, NY
SP95 AERIAL PLATFORM (LOW RAIL)
DWSG NO.: HS-7455