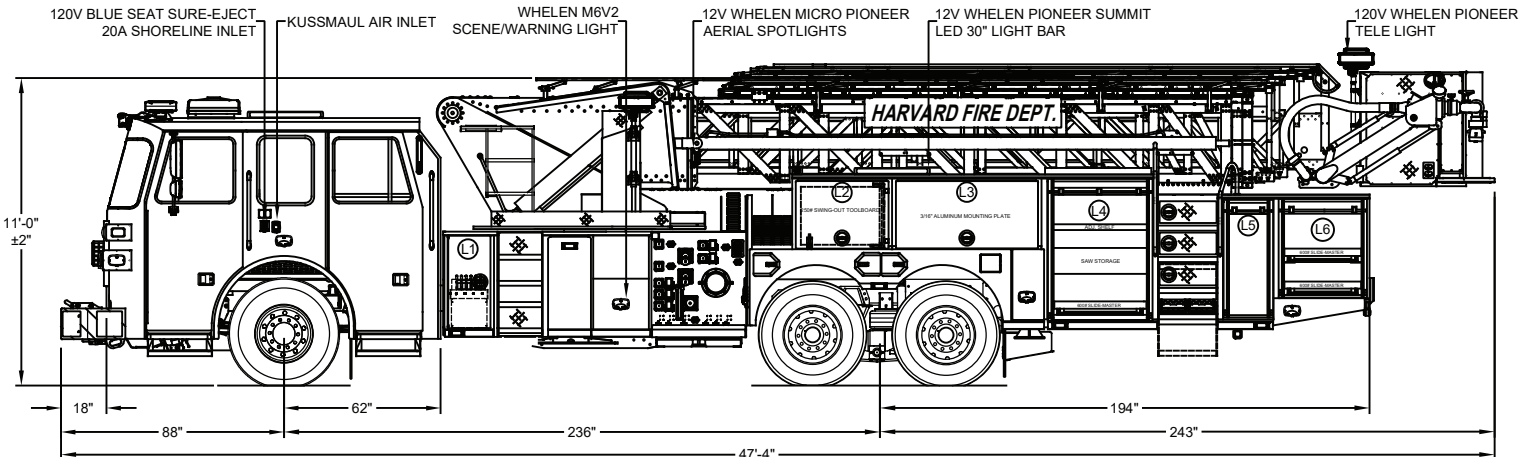
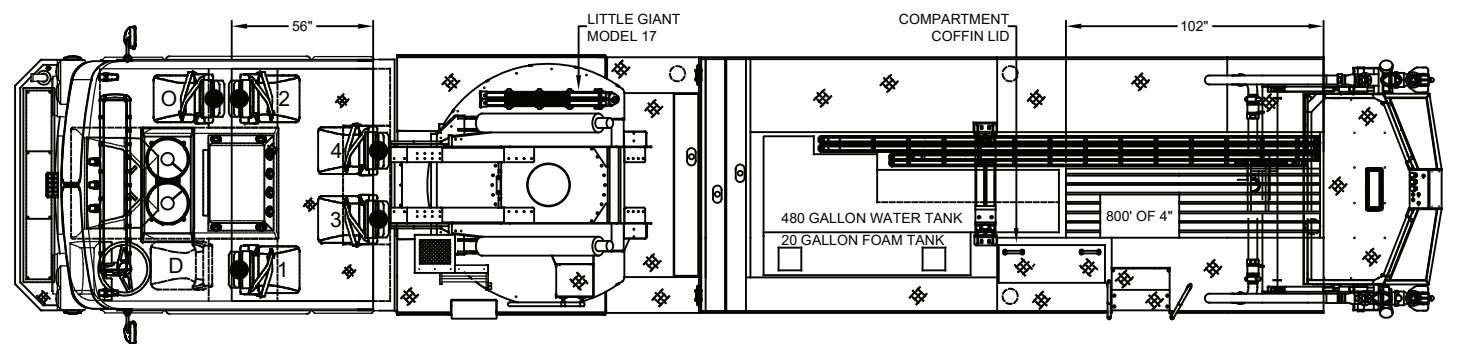
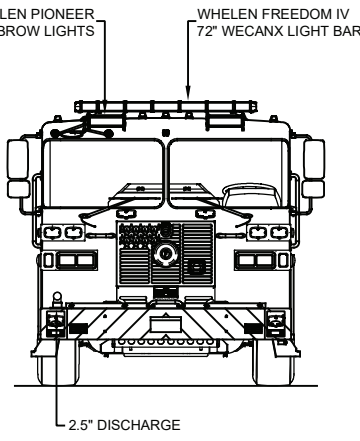


SINGLE TONE PAINT
RED

MAX HEIGHT: 11' 0"
MAX LENGTH 48'



DOOR OPENINGS			COMPARTMENT DIMENSIONS			DOOR OPENINGS			COMPARTMENT DIMENSIONS		
COMPT.	HEIGHT	WIDTH	HEIGHT	WIDTH	DEPTH	COMPT.	HEIGHT	WIDTH	HEIGHT	WIDTH	DEPTH
L1	31 13/16	13 7/16	38 1/2	20 5/16	19 7/8	R1	31 13/16	33 7/16	38 1/2	40	27 1/2
L2	23	31 1/4	27 1/2	39 1/2	12 1/8	R2	23	33 1/4	27 1/2	41 1/2	26 1/2
L3	23	30 1/4	27 1/2	58	12 1/8	R3	23	50 1/4	27 1/2	58	26 1/2
L4	48 1/2	38 3/4	58 1/2	45 3/4	26 1/2	R4	48 1/2	38 3/4	58 1/2	45 3/4	26 1/2
L5	40 1/2	15 1/8	48 1/2	22	26 1/2	R5	48 1/2	38 3/4	58 1/2	45 3/4	26 1/2
L6	32 1/8	30 7/8	40 1/8	34 3/4	26 1/2	R6	32 1/8	30 7/8	40 1/8	34 3/4	26 1/2

DOOR OPENINGS			COMPARTMENT DIMENSIONS		
COMPT.	HEIGHT	WIDTH	HEIGHT	WIDTH	DEPTH
A1	9 1/8	24 1/2	9 7/8	26	88

TOTAL COMPARTMENT VOLUME - 280.04 CU. FT.

DIMENSIONS SHOWN ON THIS DRAWING ARE APPROXIMATE AND ARE SUBJECT TO MINOR DEVIATIONS DURING CONSTRUCTION.

IN THE EVENT OF A DISCREPANCY BETWEEN THE SUTPHEN SPECIFICATIONS AND DRAWING, THE SUTPHEN SPECIFICATIONS SHALL PREVAIL.

DRAWING IS FOR REFERENCE ONLY. SOME ITEMS PROPOSED MAY NOT BE SHOWN OR NOTED.

CUSTOMER APPROVAL

NAME: _____

TITLE: _____

DATE: _____

REV.	DESCRIPTION	JH	DATE
M	REV-M SHOP ORDER/REFERENCE SHOP ORDER CHANGE DOCUMENT ON SHARED DRIVE	JNH	3/13/2024
L	REV-L SHOP ORDER/REFERENCE SHOP ORDER CHANGE DOCUMENT ON SHARED DRIVE	JNH	2/9/2024
K	REV-K SHOP ORDER/REFERENCE SHOP ORDER CHANGE DOCUMENT ON SHARED DRIVE	JH	1/8/2024
J	REV-J SHOP ORDER/REFERENCE SHOP ORDER CHANGE DOCUMENT ON SHARED DRIVE	JH	1/2/2024

DRAWN BY: D.HIGGINS
DATE: 02/22/22
MFG. FACILITY: DUBLIN

SPH100 AERIAL PLATFORM
HS-7482