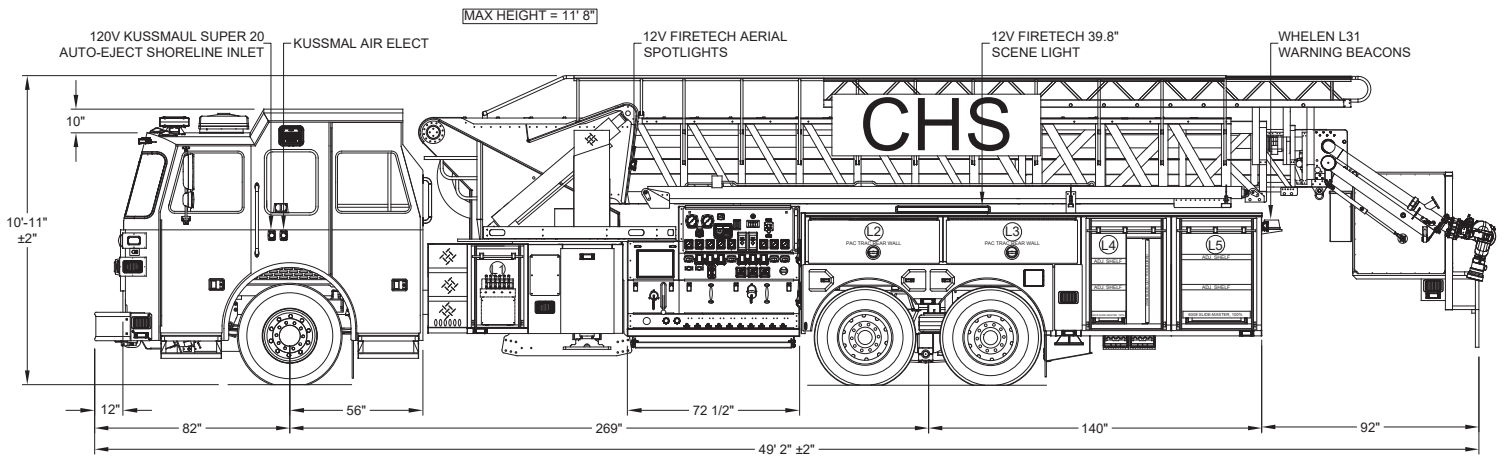
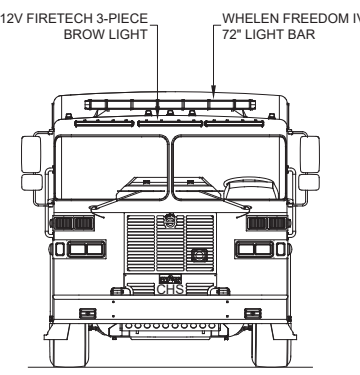
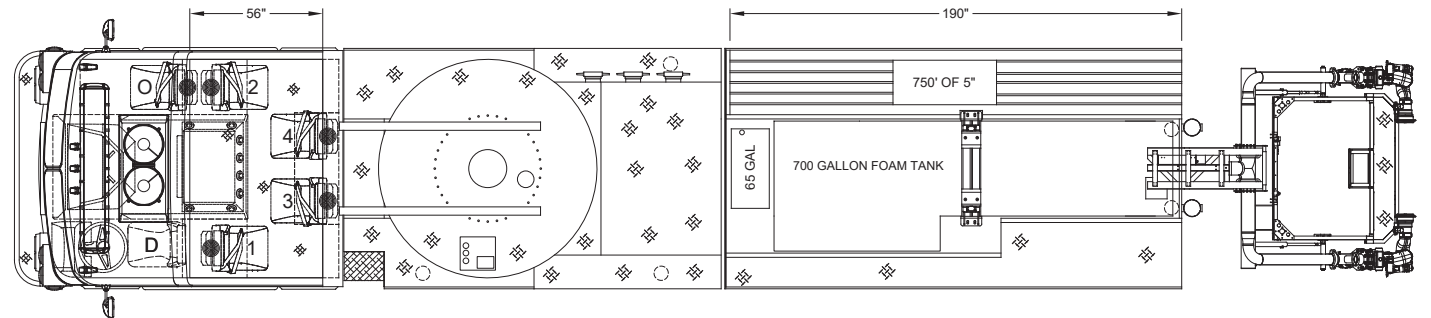


TWO TONE CAB
WHITE OVER RED
PAINT BREAK #2



DOOR OPENINGS			COMPARTMENT DIMENSIONS		
COMPT.	HEIGHT	WIDTH	HEIGHT	WIDTH	DEPTH
L2	15	50 1/4	19 1/2	58	12 1/2
L3	15	50 1/4	19 1/2	58	12 1/2
L5	44 3/4	32	48	38	26 1/2
L6	44 3/4	32	48	38	26 1/2

DOOR OPENINGS			COMPARTMENT DIMENSIONS		
COMPT.	HEIGHT	WIDTH	HEIGHT	WIDTH	DEPTH
R1	31 13/16	33 7/16	38 1/2	40	27 1/2
R5	24 3/4	32	28	38	26 1/2
R6	24 3/4	32	28	38	26 1/2

DOOR OPENINGS			COMPARTMENT DIMENSIONS		
COMPT.	HEIGHT	WIDTH	HEIGHT	WIDTH	DEPTH
A1	15 3/4	27	14 1/4	25 1/2	88 3/4

DIMENSIONS SHOWN ON THIS DRAWING ARE APPROXIMATE AND ARE SUBJECT TO MINOR DEVIATIONS DURING CONSTRUCTION.

IN THE EVENT OF A DISCREPANCY BETWEEN THE SUTPHEN SPECIFICATIONS AND DRAWING, THE SUTPHEN SPECIFICATIONS SHALL PREVAIL.

DRAWING IS FOR REFERENCE ONLY. SOME ITEMS PROPOSED MAY NOT BE SHOWN OR NOTED.

CUSTOMER APPROVAL

NAME: _____

TITLE: _____

DATE: _____

REV.	DESCRIPTION	BY	DATE
H	REFERENCE SHOP ORDER CHANGE DOCUMENT ON SHARED DRIVE	AM	02/19/2024
G	REFERENCE SHOP ORDER CHANGE DOCUMENT ON SHARED DRIVE	TF	11/28/2023
F	REFERENCE SHOP ORDER CHANGE DOCUMENT ON SHARED DRIVE	DH	09/15/2023
E	REFERENCE SHOP ORDER CHANGE DOCUMENT ON SHARED DRIVE	TF	07/10/2023

DRAWN BY:	D.HIGGINS
DATE:	11/14/2022
MFG. FACILITY:	DUBLIN

CHS INC.
LAUREL, MT

SP195 AERIAL PLATFORM
HS-7732