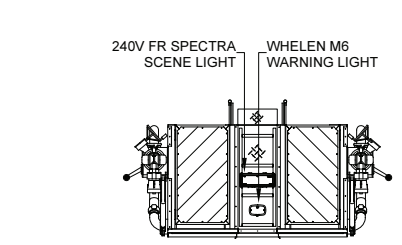
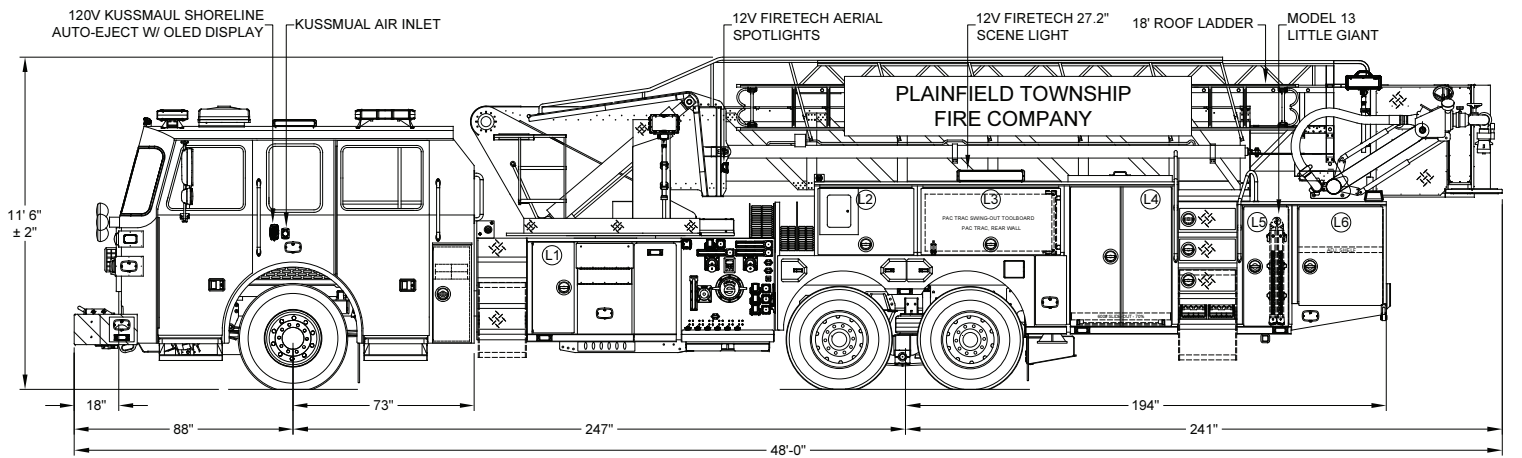
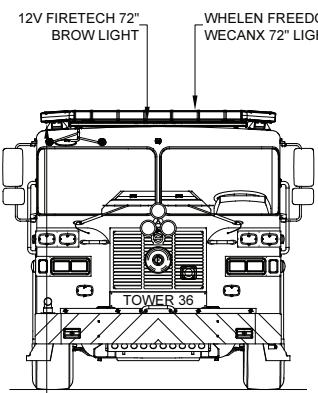
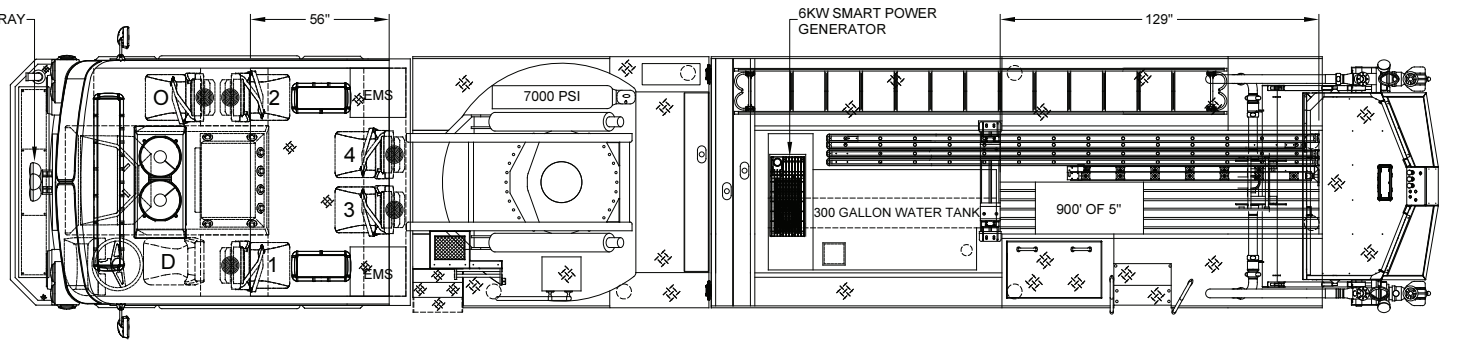


- LADDER CHUTE**
- (1) 14' COMBO
 - (2) 16' ROOF
 - (1) 28' 2-SEC
 - (1) 10' FOLDING
 - (1) 35' 2-SEC



TWO TONE CAB
BLACK OVER RED
PAINT BREAK #5

MAX HEIGHT: 13' 6"



DOOR OPENINGS			COMPARTMENT DIMENSIONS		
COMPT.	HEIGHT	WIDTH	HEIGHT	WIDTH	DEPTH
L1	34 1/16	13 7/16	38 1/2	20 5/16	19 7/8
L2	23	33 1/4	27 1/2	41 1/2	12 1/8
L3	23	50 1/4	27 1/2	58	12 1/8
L4	51 3/4	37 1/2	56 1/2	45 3/4	26 1/2
L5	43 3/4	15	48 1/2	22	26 1/2
L6	35 3/8	30 3/4	40 1/8	34 3/4	26 1/2

DOOR OPENINGS			COMPARTMENT DIMENSIONS		
COMPT.	HEIGHT	WIDTH	HEIGHT	WIDTH	DEPTH
R1	34 1/16	33 7/16	38 1/2	40	8 1/2 LOWER 19" 27 1/2 UPPER 28 1/2"
R2	23	33 1/4	27 1/2	41 1/2	26 1/2
R3	23	50 1/4	27 1/2	58	26 1/2
R4	51 3/4	37 1/2	56 1/2	45 3/4	26 1/2
R5	51 3/4	37 1/2	56 1/2	45 3/4	26 1/2
R6	35 3/8	30 3/4	40 1/8	34 3/4	26 1/2

DOOR OPENINGS			COMPARTMENT DIMENSIONS		
COMPT.	HEIGHT	WIDTH	HEIGHT	WIDTH	DEPTH
A1	9 1/8	24 1/2	9 7/8	26	88

TOTAL COMPARTMENT VOLUME - 283.49 CU. FT.

DIMENSIONS SHOWN ON THIS DRAWING ARE APPROXIMATE AND ARE SUBJECT TO MINOR DEVIATIONS DURING CONSTRUCTION.

IN THE EVENT OF A DISCREPANCY BETWEEN THE SUTPHEN SPECIFICATIONS AND DRAWING, THE SUTPHEN SPECIFICATIONS SHALL PREVAIL.

DRAWING IS FOR REFERENCE ONLY. SOME ITEMS PROPOSED MAY NOT BE SHOWN OR NOTED.

CUSTOMER APPROVAL

NAME: _____

TITLE: _____

DATE: _____

REV	DESCRIPTION	BY	DATE
O	REFERENCE SHOP ORDER CHANGE DOCUMENT ON SHARED DRIVE	TF	09/25/2023
N	REFERENCE SHOP ORDER CHANGE DOCUMENT ON SHARED DRIVE	TF	08/30/2023
M	REFERENCE SHOP ORDER CHANGE DOCUMENT ON SHARED DRIVE	TF	08/18/2023
L	REFERENCE SHOP ORDER CHANGE DOCUMENT ON SHARED DRIVE	TF	08/09/2023

DRAWN BY:
T. FAHOLM

DATE:
02/10/22

MFG. FACILITY:
DUBLIN

SUTPHEN

PLAINFIELD TWP FIRE COMPANY
WIND GAP, PA

SPH100 AERIAL PLATFORM

DWG. NO.: HS-7447