

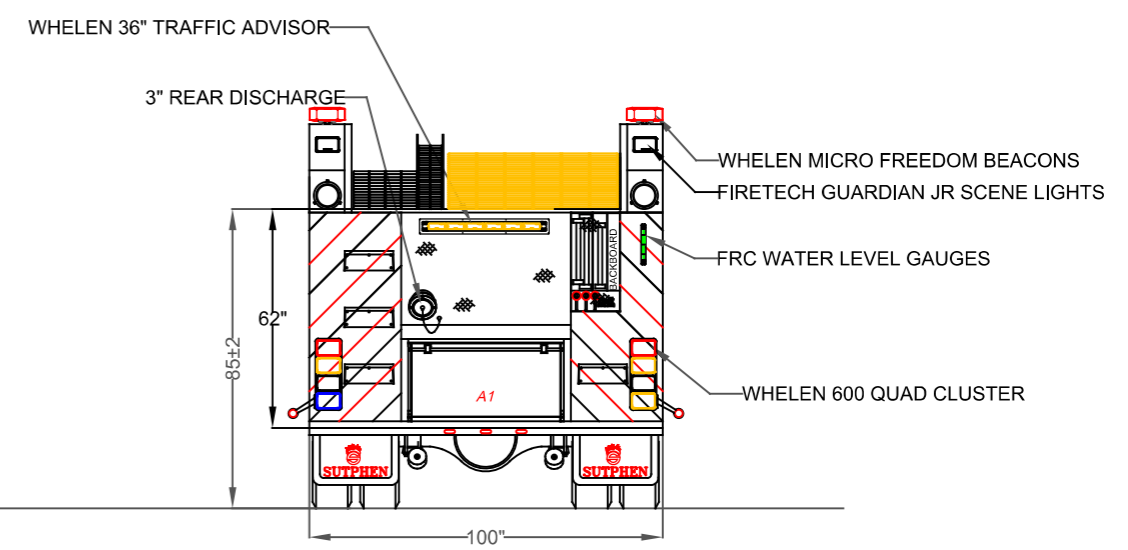
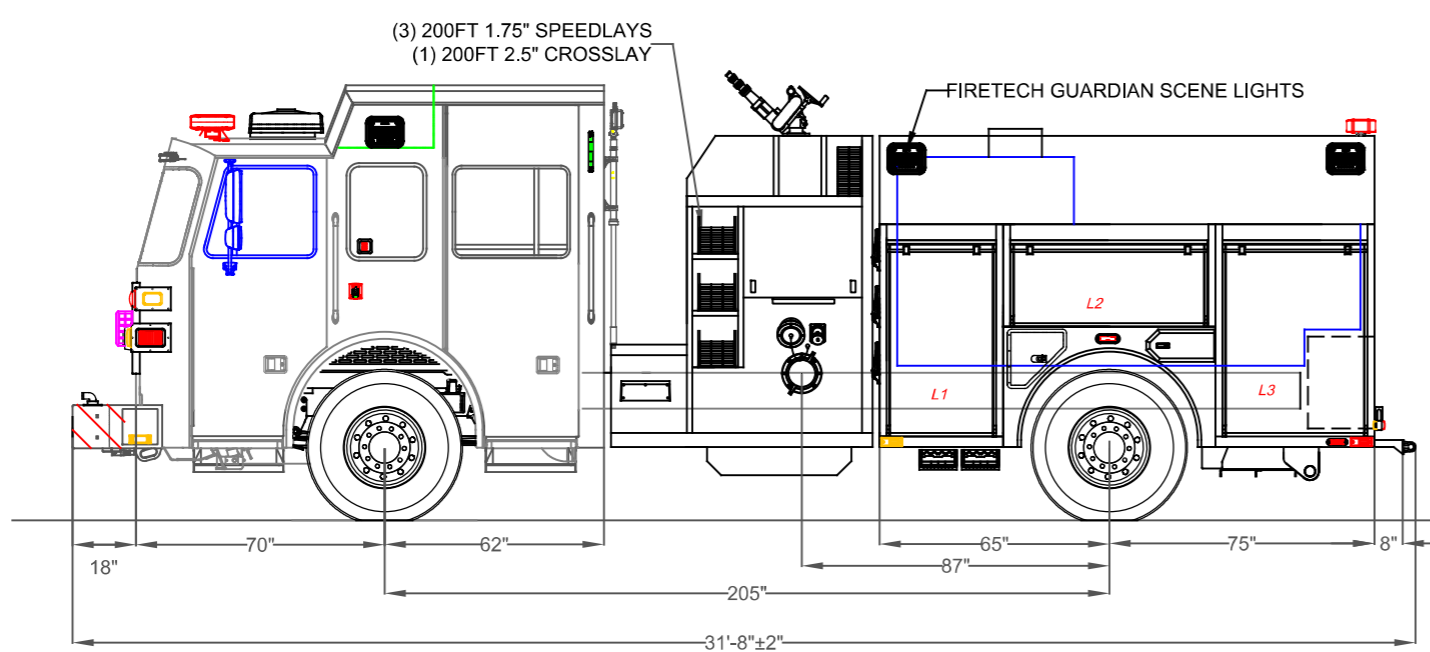
**Hose Load**  
 1:1000ft of 5"  
 2:300ft of 1 3/4"  
 3:300ft of 2.5"

**LADDER CHUTE**  
 24FT 2-SEC  
 14FT ROOF  
 10FT ATTIC  
 (3) PIKE POLES  
 (1) BACKBOARD

**FENDER STORAGE**  
 LFF: TRIPLE FMI  
 LRF: SCBA/FUEL  
 RFF: TRIPLE FMI  
 RRF: OPEN FMI

Left Side Compartmentation				
Compt	Doors	Opening Dimensions	Inside Dimensions	Volume
			WxHxD	
L1	Roll Up	28x49	35x59x24.25	24.8 CU FT
L2	Roll Up	53x18	60x28x10.25	23.6 CU FT
L3	Roll Up	38x49	45x59x24.25	37.3 CU FT
Right Side Compartmentation				
Compt	Doors	Opening Dimensions	Inside Dimensions	Volume
R1	Roll Up	28x49	35x59x24.25/10.25	18.0 CU FT
R2	Roll Up	53x18	60x28x10.25	10.0 CU FT
R3	Roll Up	38x49	45x59x24.25/10.25	27.1 CU FT
Rear Compartmentation				
Compt	Doors	Opening Dimensions	Inside Dimensions	Volume
A1	Roll Up	44x16	48x26x18.25	13.2 CU FT
				<b>Total Volume</b>
				153.9 CU Ft

Hale Qmax xs 1750 single stage  
 Water Tank Capacity 1000 gal  
 Foam Tank Capacity 30 gal



DIMENSIONS SHOWN ON THIS DRAWING ARE APPROXIMATE AND ARE SUBJECT TO MINOR DEVIATIONS DURING CONSTRUCTION.	CUSTOMER APPROVAL						DRAWN BY: J. GORDON		<b>SUTPHEN EAST</b> 55 INNOVATION DRIVE LAKE ARIEL, PA 1-844-776-2889	
	IN THE EVENT OF A DISCREPANCY BETWEEN THE SUTPHEN SPECIFICATIONS AND DRAWING, THE SUTPHEN SPECIFICATIONS SHALL PREVAIL.		NAME:				DATE: 06/04/2021			
DRAWING IS FOR REFERENCE ONLY. SOME ITEMS PROPOSED MAY NOT BE SHOWN OR NOTED.	DATE:						MFG. FACILITY: SUTPHEN EAST LAKE ARIEL, PA		CUSTOM STS PUMPER SALES DRAWING	
			REV.	A	CHANGES FROM PRE-CON DESCRIPTION		BY DATE JVG 04/20/2022			
THIS PRINT IS PROVIDED ON A RESTRICTED BASIS AND IS NOT TO BE USED IN ANY WAY DETRIMENTAL TO THE INTEREST OF SUTPHEN CORPORATION.										