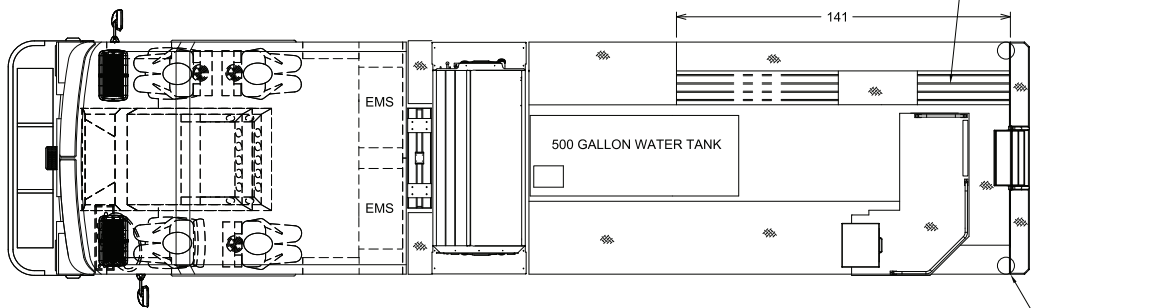
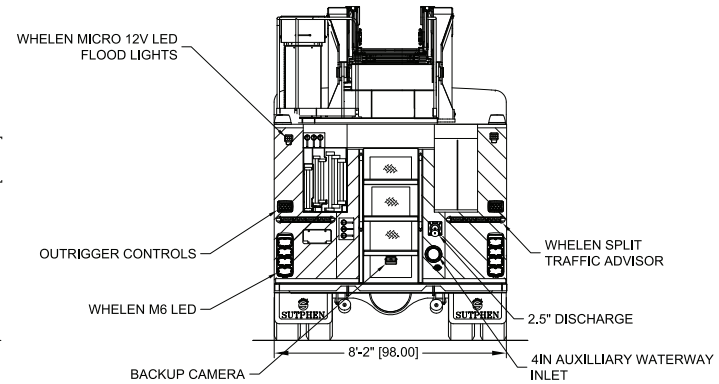
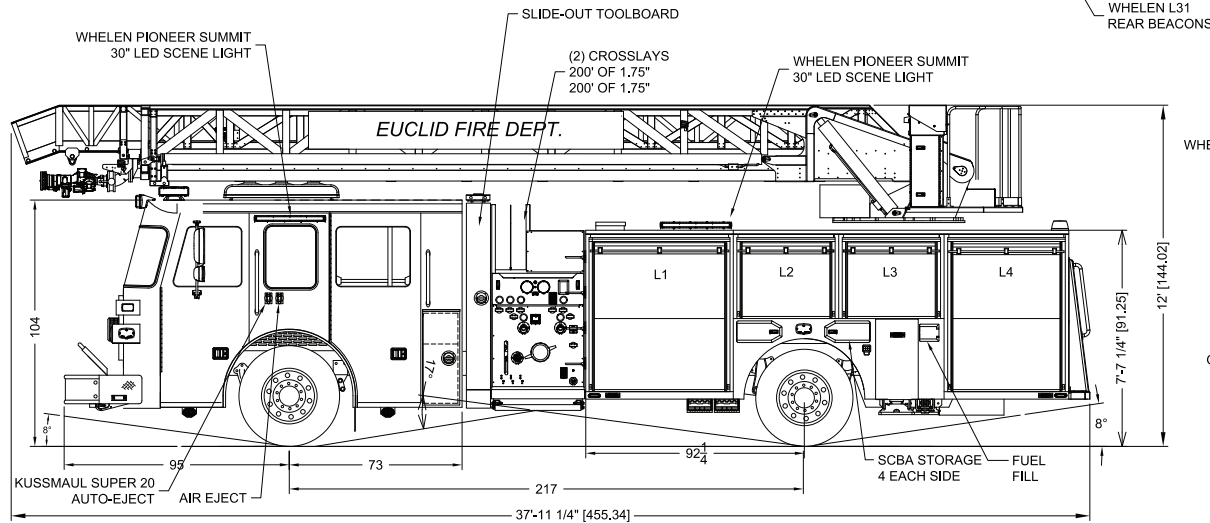


COMPT	DOORS	OPENING DIMENSIONS	INSIDE DIMENSIONS	VOLUME
L1 UPPER	ROLL-UP	55.50"W x 28.00"H	62.12"W x 37.13"H x 10.00"D	13.34 CU. FT.
L1 LOWER	ROLL-UP	55.50"W x 30.00"H	62.12"W x 30.00"H x 23.93"D	39.80 CU. FT.
L2	ROLL-UP	38.00"W x 27.13"H	44.50"W x 36.25"H x 10.00"D	9.33 CU. FT.
L3	ROLL-UP	38.00"W x 27.13"H	44.50"W x 36.25"H x 10.00"D	9.33 CU. FT.
L4 UPPER	ROLL-UP	46.00"W x 28.00"H	50.06"W x 37.13"H x 10.00"D	10.75 CU. FT.
L4 LOWER	ROLL-UP	46.00"W x 30.00"H	50.06"W x 30.00"H x 23.93"D	20.80 CU. FT.
R1	ROLL-UP	55.50"W x 30.00"H	62.12"W x 30.00"H x 23.93"D	37.74 CU. FT.
R2	ROLL-UP	38.00"W x 27.13"H	44.50"W x 36.25"H x 10.00"D	9.33 CU. FT.
R3	ROLL-UP	38.00"W x 27.13"H	44.50"W x 36.25"H x 10.00"D	9.33 CU. FT.
R4 UPPER	ROLL-UP	46.00"W x 28.00"H	50.06"W x 37.13"H x 10.00"D	10.75 CU. FT.
R4 LOWER	ROLL-UP	46.00"W x 30.00"H	50.06"W x 30.00"H x 23.93"D	20.80 CU. FT.
		SLIDING TOOLBOARD	8.50"W x 7.91"H x 23.93"D	16.63 CU. FT.
		STOKES/BACKBOARD COMPT.	9.00"W x 82.75"H x 25.5"D	10.99 CU. FT.
		CAB EXTERIOR COMPT.	14.97"W x 38.00"H x 24.00"D	7.90 CU. FT.
		CAB EXTERIOR COMPT.	14.97"W x 38.00"H x 24.00"D	7.90 CU. FT.
TOTAL VOLUME				244.09 CU. FT.



DUO SAFETY LADDER COMPLIMENT
 10' FOLDING (FLY SECTION)
 16' ROOF
 16' ROOF
 18' ROOF
 24' 2-SECTION
 35' 3-SECTION



DIMENSIONS SHOWN ON THIS DRAWING ARE APPROXIMATE AND ARE SUBJECT TO MINOR DEVIATIONS DURING CONSTRUCTION.	CUSTOMER APPROVAL						DRAWN BY: APF		
	IN THE EVENT OF A DISCREPANCY BETWEEN THE SUTPHEN SPECIFICATIONS AND DRAWING, THE SUTPHEN SPECIFICATIONS SHALL PREVAIL.		NAME: _____					DATE: 05/10/23	
DRAWING IS FOR REFERENCE ONLY. SOME ITEMS PROPOSED MAY NOT BE SHOWN OR NOTED.	DATE: _____		REV.	DESCRIPTION	BY	DATE	MFG. FACILITY: HILLIARD	SLR75	DWG. NO.: HS-7512

THIS PRINT IS PROVIDED ON A RESTRICTED BASIS AND IS NOT TO BE USED IN ANY WAY DETRIMENTAL TO THE INTEREST OF SUTPHEN CORPORATION.