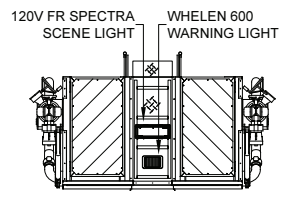
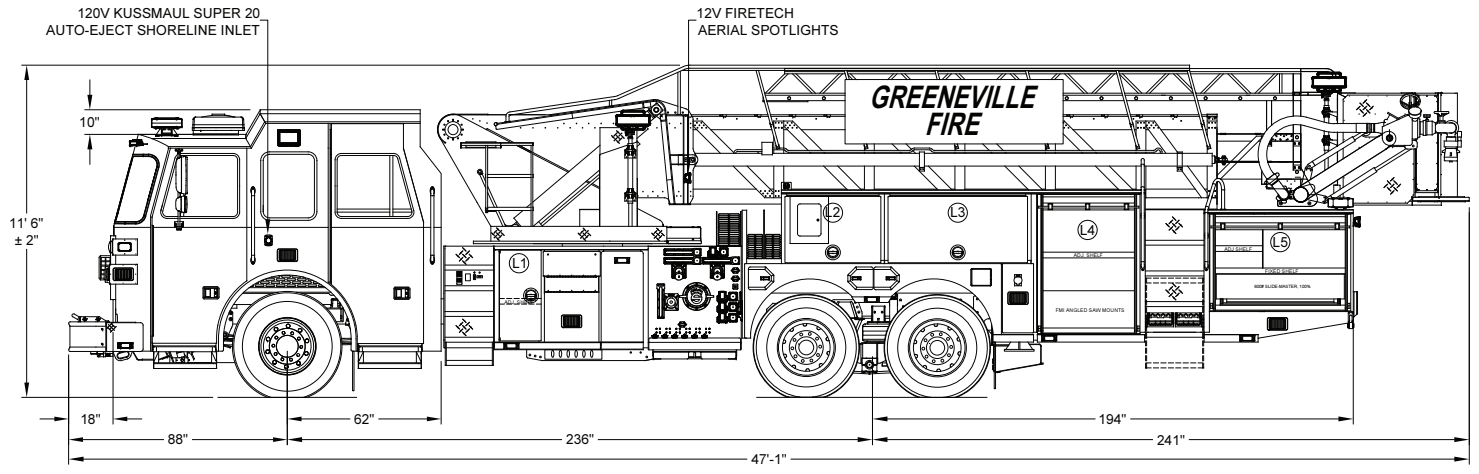
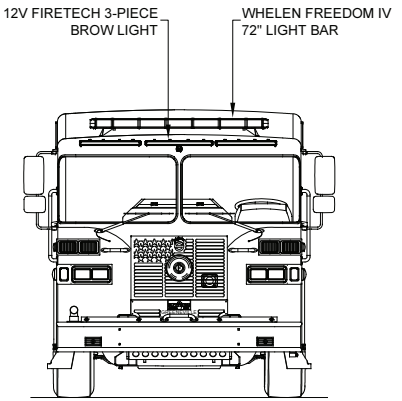
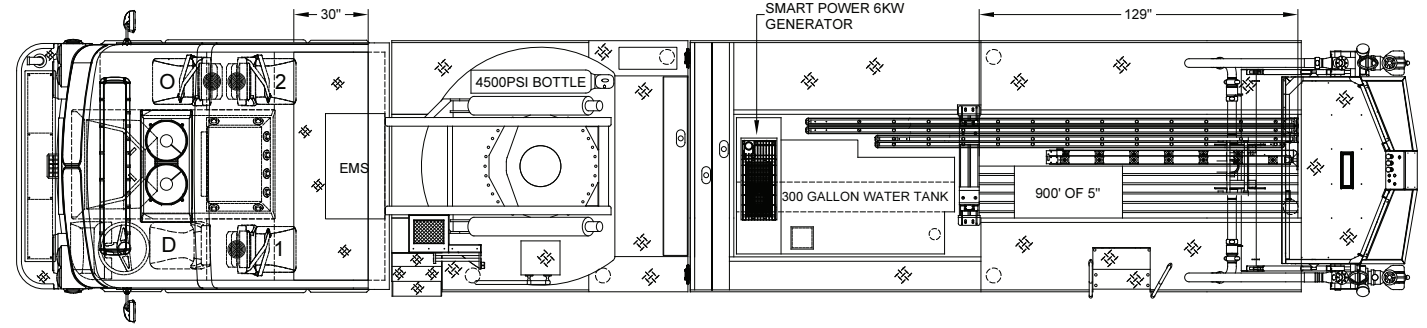


- LADDER CHUTE
 (1) 14' COMBO
 (1) 24' 2-SEC
 (2) 16' ROOF
 (1) 35' 2-SEC

12V FIRETECH WORK LIGHTS
 BRITAX LED MARKERS



TWO TONE CAB
 SILVER OVER RED
 PAINT BREAK #3



DOOR OPENINGS		
COMPT.	HEIGHT	WIDTH
L1	31 13/16	13 7/16
L2	23	33 1/4
L3	23	50 1/4
L4	48 1/2	38 3/4
L5	32	53

COMPARTMENT DIMENSIONS		
HEIGHT	WIDTH	DEPTH
38 1/2	20 5/16	19 7/8
27 1/2	41 1/2	12 1/8
27 1/2	58	12 1/8
56 1/2	45 3/4	26 1/2
40	59	26 1/2

DOOR OPENINGS		
COMPT.	HEIGHT	WIDTH
R1	31 13/16	33 7/16
R2	23	33 1/4
R3	23	50 1/4
R4	48 1/2	38 3/4
R5	48 1/2	38 3/4
R6	32 1/8	30 7/8

COMPARTMENT DIMENSIONS		
HEIGHT	WIDTH	DEPTH
38 1/2	40	26 1/2
27 1/2	41 1/2	26 1/2
27 1/2	58	26 1/2
56 1/2	45 3/4	26 1/2
56 1/2	45 3/4	26 1/2
40 1/8	34 3/4	26 1/2

DOOR OPENINGS			COMPARTMENT DIMENSIONS		
COMPT.	HEIGHT	WIDTH	HEIGHT	WIDTH	DEPTH
A1	9 1/8	24 1/2	9 7/8	26	88

TOTAL COMPARTMENT VOLUME - 299.05 CU. FT.

DIMENSIONS SHOWN ON THIS DRAWING ARE APPROXIMATE AND ARE SUBJECT TO MINOR DEVIATIONS DURING CONSTRUCTION.

IN THE EVENT OF A DISCREPANCY BETWEEN THE SUTPHEN SPECIFICATIONS AND DRAWING, THE SUTPHEN SPECIFICATIONS SHALL PREVAIL.

DRAWING IS FOR REFERENCE ONLY. SOME ITEMS PROPOSED MAY NOT BE SHOWN OR NOTED.

CUSTOMER APPROVAL

NAME: _____

TITLE: _____

DATE: _____

REV.	DESCRIPTION	BY	DATE
F	REV-F SHOP ORDER/REFERENCE SHOP ORDER CHANGE DOCUMENT ON SHARED DRIVE	TF	08/09/2023
E	REV-E SHOP ORDER/REFERENCE SHOP ORDER CHANGE DOCUMENT ON SHARED DRIVE	TF	06/19/2023
D	REV-D SHOP ORDER/REFERENCE SHOP ORDER CHANGE DOCUMENT ON SHARED DRIVE	TF	03/22/2023
C	REV-C SHOP ORDER/REFERENCE SHOP ORDER CHANGE DOCUMENT ON SHARED DRIVE	JML	07/25/2022

DRAWN BY:
T.FAHOUM

DATE:
01/21/22

MFG. FACILITY:
DUBLIN

SUTPHEN

GREENEVILLE FIRE DEPARTMENT
 GREENEVILLE, TN

SPH100 AERIAL PLATFORM

DWG. NO.: HS-7408