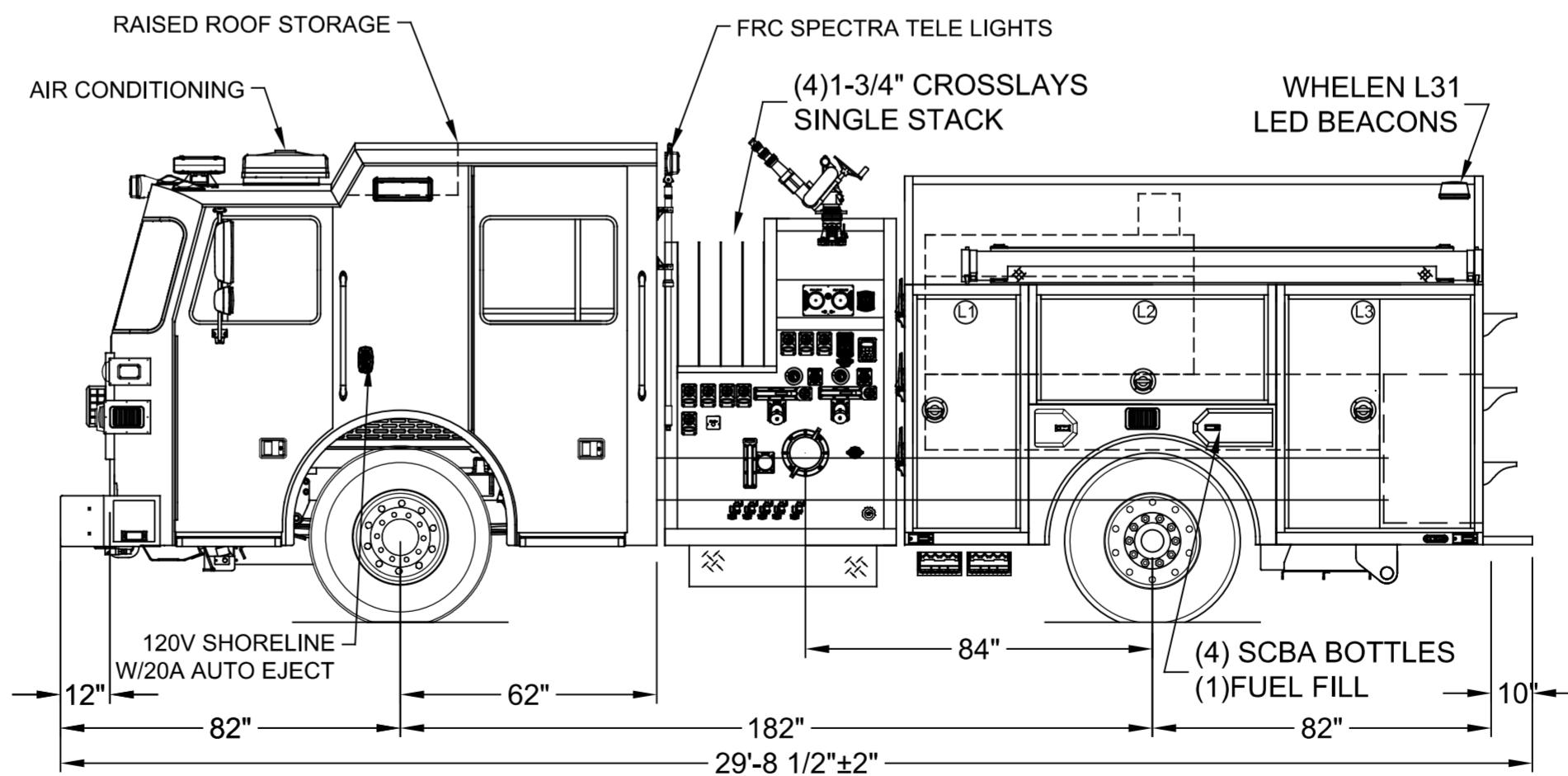
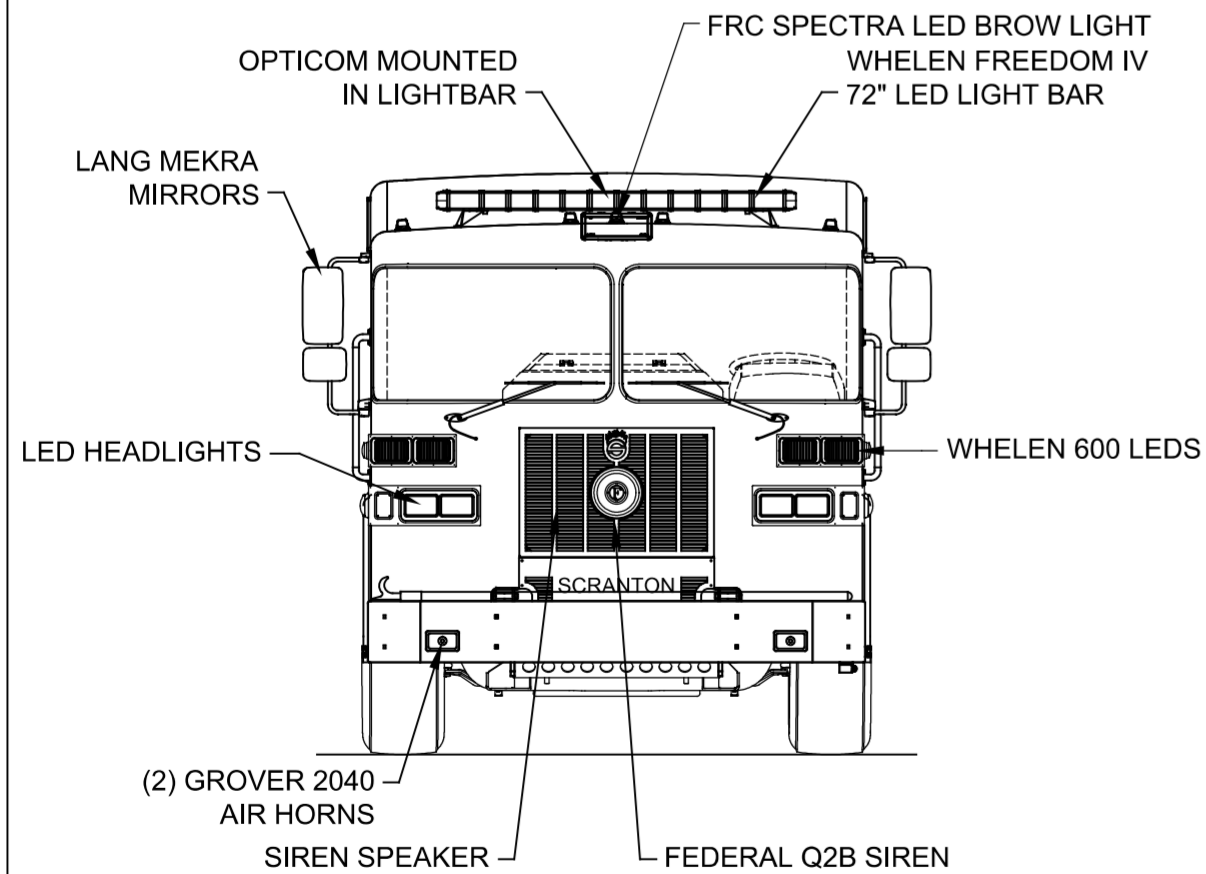
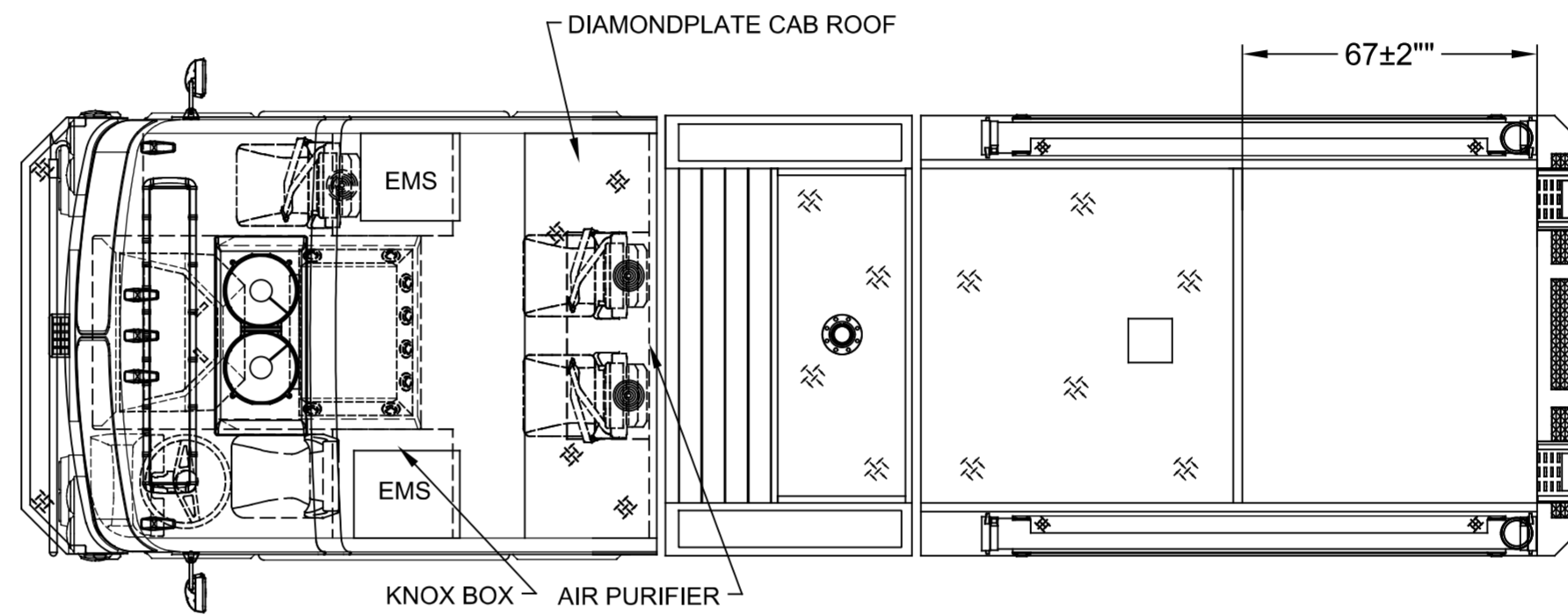


Left Side Compartmentation				
Compt	Doors	Opening Dimensions	Inside Dimensions	Volume
L1	HINGE	23x49	30x59x24.25	24.8 CU FT
L2	HINGE	53x18	60x28x24.25	23.6 CU FT
L3	HINGE	43x49	50x59x24.25	41.4 CU FT
Right Side Compartmentation				
Compt	Doors	Opening Dimensions	Inside Dimensions	Volume
R1	HINGE	23x49	30x59x24.25/10.25	18.0 CU FT
R2	HINGE	53x18	60x28x24.25/10.25	10.0 CU FT
R3	HINGE	43x49	50x59x24.25/10.25	30.1 CU FT
Rear Compartmentation				
Compt	Doors	Opening Dimensions	Inside Dimensions	Volume
A1	HINGE	44x26	48x36x22.25	22.25 CU FT
HALE 1500 QMAX SINGLE STAGE 750 GALLONS OF WATER				Total Volume 170.1 CU Ft



DIMENSIONS SHOWN ON THIS DRAWING ARE APPROXIMATE AND ARE SUBJECT TO MINOR DEVIATIONS DURING CONSTRUCTION.	CUSTOMER APPROVAL		G	CHANGE EXTERIOR DUNNAGE PANEL FROM PAINTED TO BLACK VINYL	SED	6/22/23	DRAWN BY: S.DORFMAN
	IN THE EVENT OF A DISCREPANCY BETWEEN THE SUTPHEN SPECIFICATIONS AND DRAWING, THE SUTPHEN SPECIFICATIONS SHALL PREVAIL.	NAME:	C	CHANGE OPTICOM FROM LED TO STROBE	SED	6/13/23	
DRAWING IS FOR REFERENCE ONLY. SOME ITEMS PROPOSED MAY NOT BE SHOWN OR NOTED.		TITLE:	B	Added Customer Supplied Air Purifier in Cab	SED	7/28/22	DATE: 7/21/2021
	DATE:	A	Changes from Pre-con	SED	7/11/2022	MFG. FACILITY: EAST	
			REV.	DESCRIPTION	BY	DATE	
THIS PRINT IS PROVIDED ON A RESTRICTED BASIS AND IS NOT TO BE USED IN ANY WAY DETRIMENTAL TO THE INTEREST OF SUTPHEN CORPORATION.							

SUTPHEN
 CITY OF SCRANTON
 SCRANTON, PA
 CUSTOM STAINLESS PUMPER -PS-02
 DWG. NO.: HS-7457