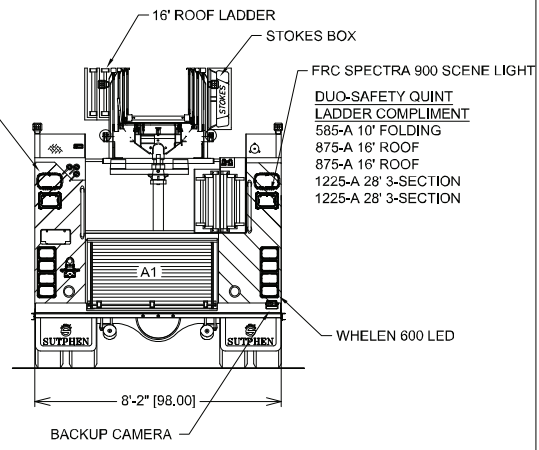
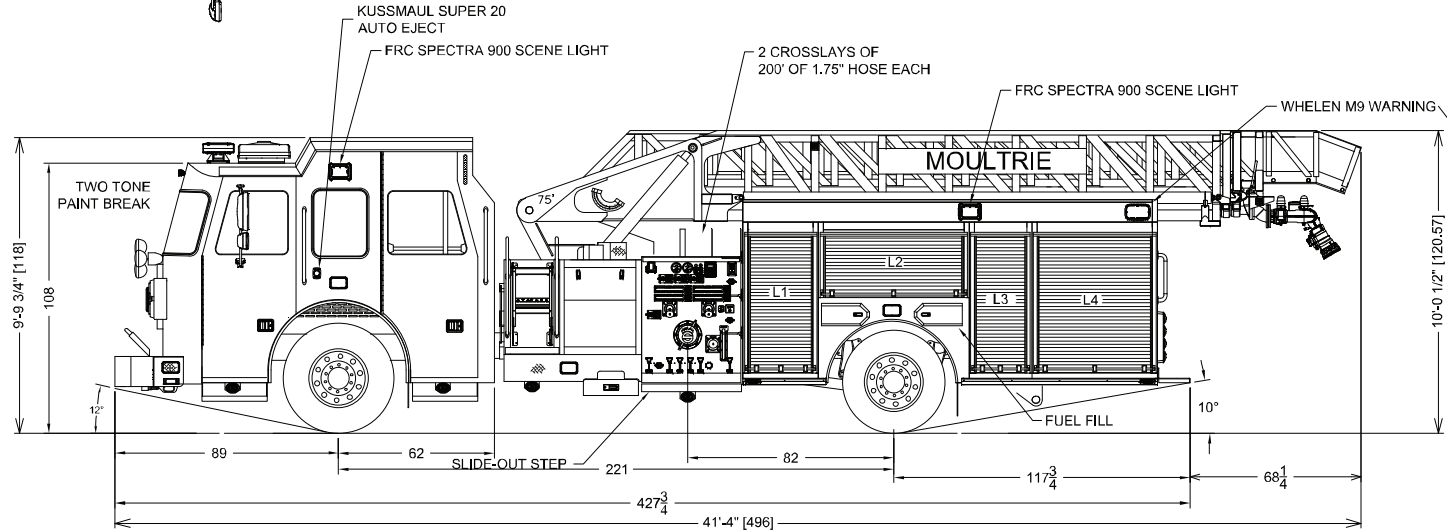
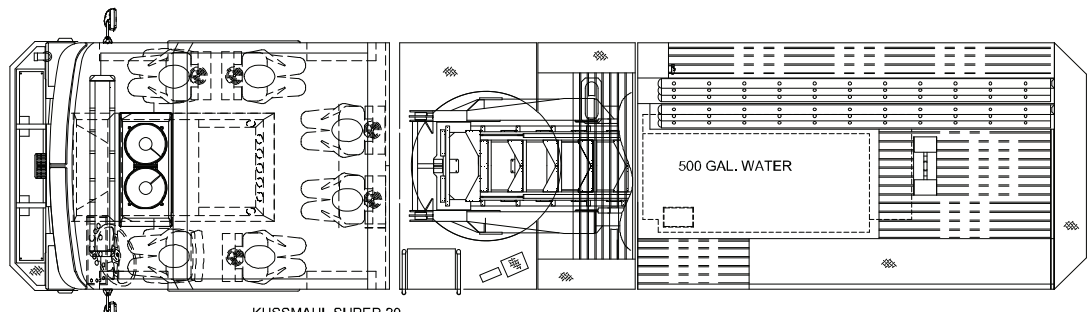
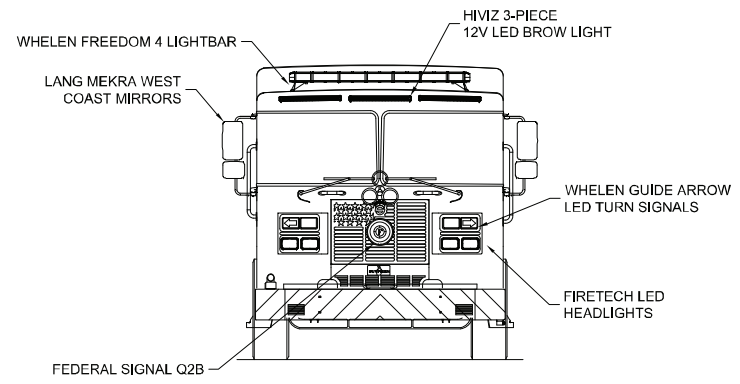
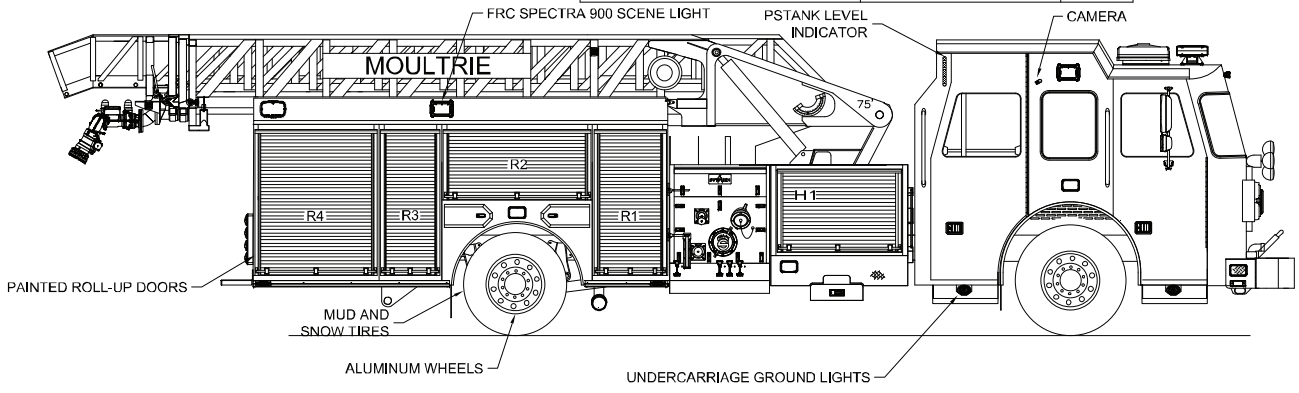


COMPT	DOORS	OPENING DIMENSIONS	INSIDE DIMENSIONS	VOLUME
L1	ROLL-UP	23.25"W x 49.50"H	29.75"W x 59.00"H x 17.75"D	18.02 CU. FT.
L2	ROLL-UP	53.25"W x 19.50"H	60.00"W x 28.25"H x 17.75"D	17.41 CU. FT.
L3	ROLL-UP	18.25"W x 49.50"H	24.75"W x 59.00"H x 17.75"D	14.98 CU. FT.
L4	ROLL-UP	43.25"W x 49.50"H	47.25"W x 59.00"H x 17.75"D	28.63 CU. FT.
A1	ROLL-UP	44.50"W x 20.50"H	53.00"W x 28.75"H x 47.75"D	43.57 CU. FT.
H1F	ROLL-UP	18.00"W x 25.50"H	21.75"W x 32.62"H x 23.40"D	9.71 CU. FT.
H1R	ROLL-UP	17.00"W x 25.50"H	21.00"W x 32.62"H x 23.40"D	9.27 CU. FT.

COMPT	DOORS	OPENING DIMENSIONS	INSIDE DIMENSIONS	VOLUME
R1 UPPER	ROLL-UP	23.25"W x 20.50"H	29.75"W x 30.00"H x 12.00"D	6.19 CU. FT.
R2	ROLL-UP	23.25"W x 28.25"H	29.75"W x 28.25"H x 22.75"D	11.05 CU. FT.
R3 UPPER	ROLL-UP	53.25"W x 20.50"H	60.00"W x 30.00"H x 12.00"D	12.50 CU. FT.
R4 UPPER	ROLL-UP	18.25"W x 20.50"H	22.25"W x 30.00"H x 12.00"D	4.63 CU. FT.
R3 LOWER	ROLL-UP	18.25"W x 28.25"H	22.25"W x 28.25"H x 22.75"D	8.27 CU. FT.
R4 LOWER	ROLL-UP	43.25"W x 19.50"H	49.75"W x 30.00"H x 12.00"D	10.38 CU. FT.
R4 LOWER	ROLL-UP	43.25"W x 28.25"H	49.75"W x 28.25"H x 22.75"D	18.50 CU. FT.
TOTAL VOLUME				213.12 CU. FT.



DIMENSIONS SHOWN ON THIS DRAWING ARE APPROXIMATE AND ARE SUBJECT TO MINOR DEVIATIONS DURING CONSTRUCTION.

IN THE EVENT OF A DISCREPANCY BETWEEN THE SUTPHEN SPECIFICATIONS AND DRAWING, THE SUTPHEN SPECIFICATIONS SHALL PREVAIL.

DRAWING IS FOR REFERENCE ONLY. SOME ITEMS PROPOSED MAY NOT BE SHOWN OR NOTED.

CUSTOMER APPROVAL

NAME: _____

TITLE: _____

DATE: _____

REV.	DESCRIPTION	BY	DATE
A	REVISION AFTER PRE-CONSTRUCTION	CAM	10/19/2022

THIS PRINT IS PROVIDED ON A RESTRICTED BASIS AND IS NOT TO BE USED IN ANY WAY DETRIMENTAL TO THE INTEREST OF SUTPHEN CORPORATION.

DRAWN BY: CAM

DATE: 04/14/2022

MFG. FACILITY: HILLIARD

CIT OF MOULTRIE - FIRE DEPARTMENT
MOULTRIE, GA

SL75
HS-7612