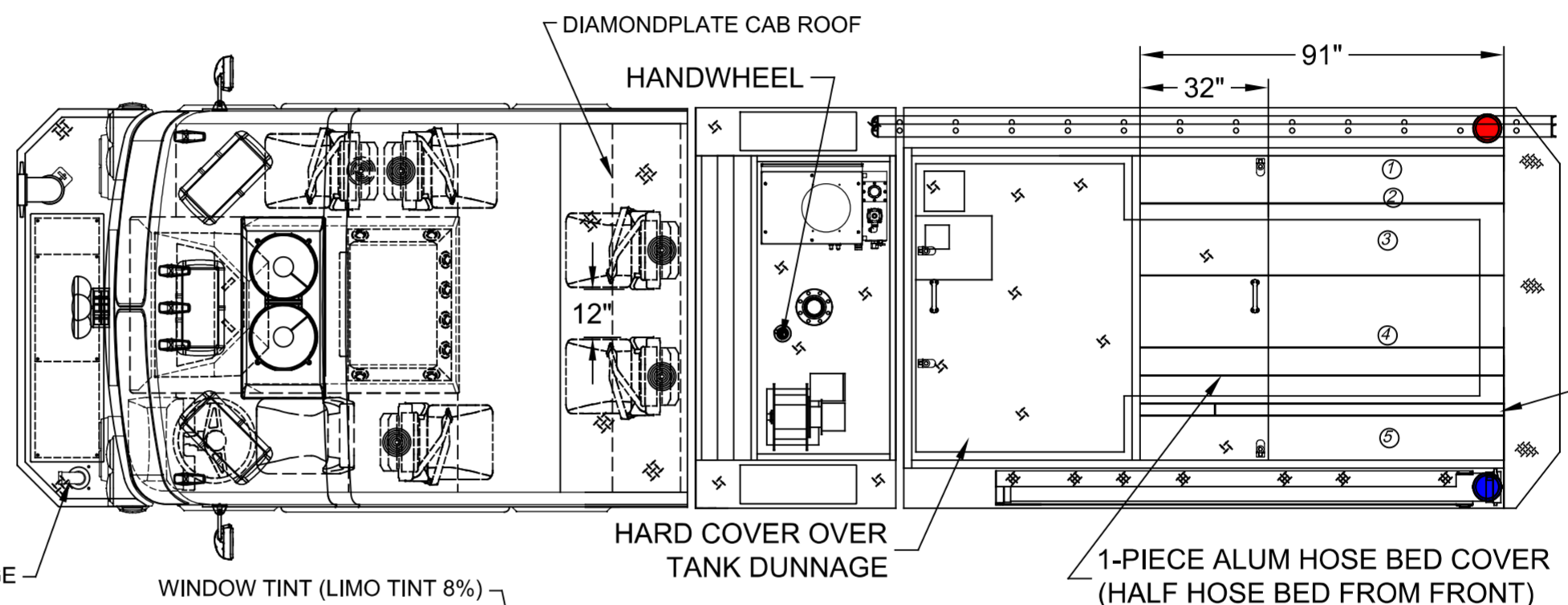


Left Side Compartmentation				
Compt	Doors	Opening Dimensions	Inside Dimensions	Volume
L1	Hinge	33x50	40x59x24.25	33.7 CU FT
L2	Hinge	55x19	62x29x24.25	24.4 CU FT
L3	Hinge	43x50	50x59x24.25	42.1 CU FT
Right Side Compartmentation				
Compt	Doors	Opening Dimensions	Inside Dimensions	Volume
R1	Hinge	35x37	40x41x24.25	23.0 CU FT
R2	Hinge	55x8.5	62x11x24.25	8.4 CU FT
R3	Hinge	45x37	50x41x24.25	28.8 CU FT
Rear Compartmentation				
Compt	Doors	Opening Dimensions	Inside Dimensions	Volume
A1	HINGE	41x20	48x32.5x24	22.6 CU FT
Total Volume				183 CU Ft

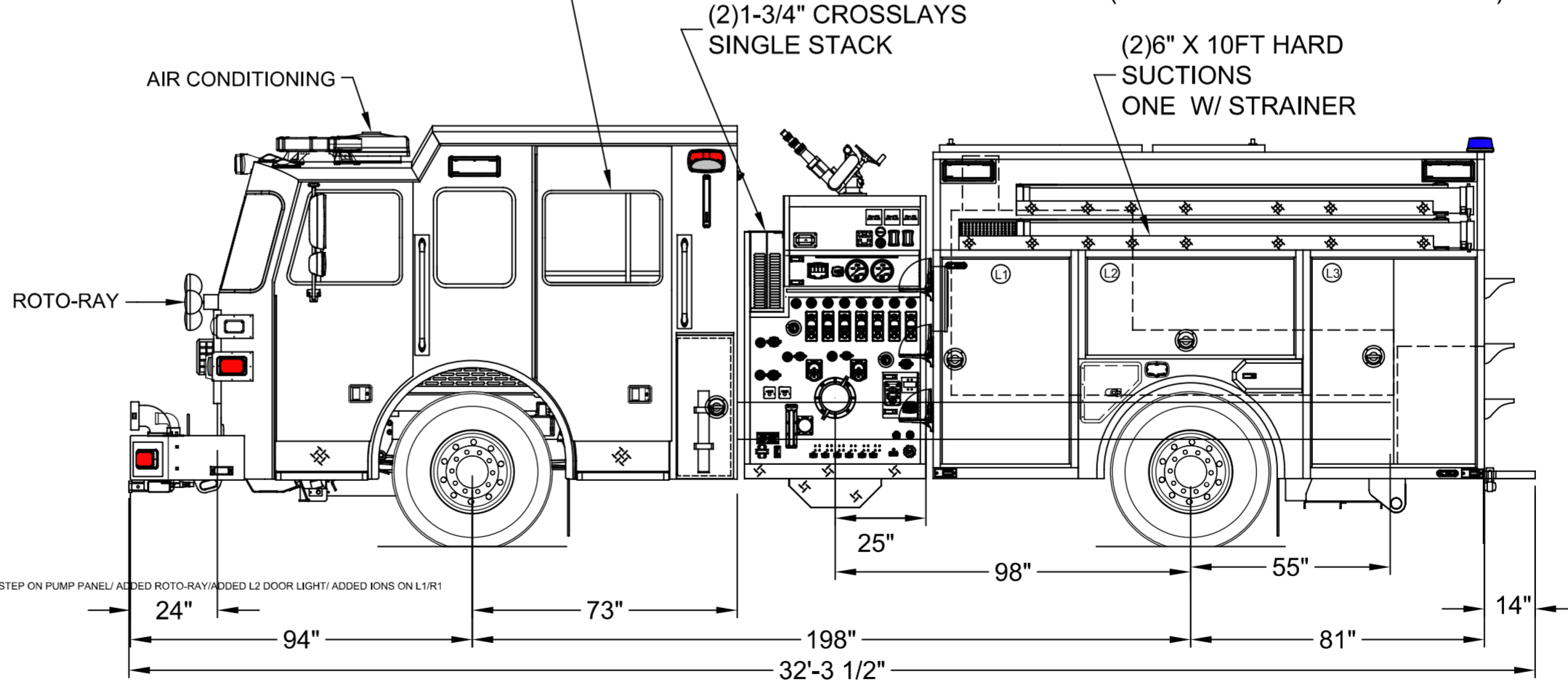
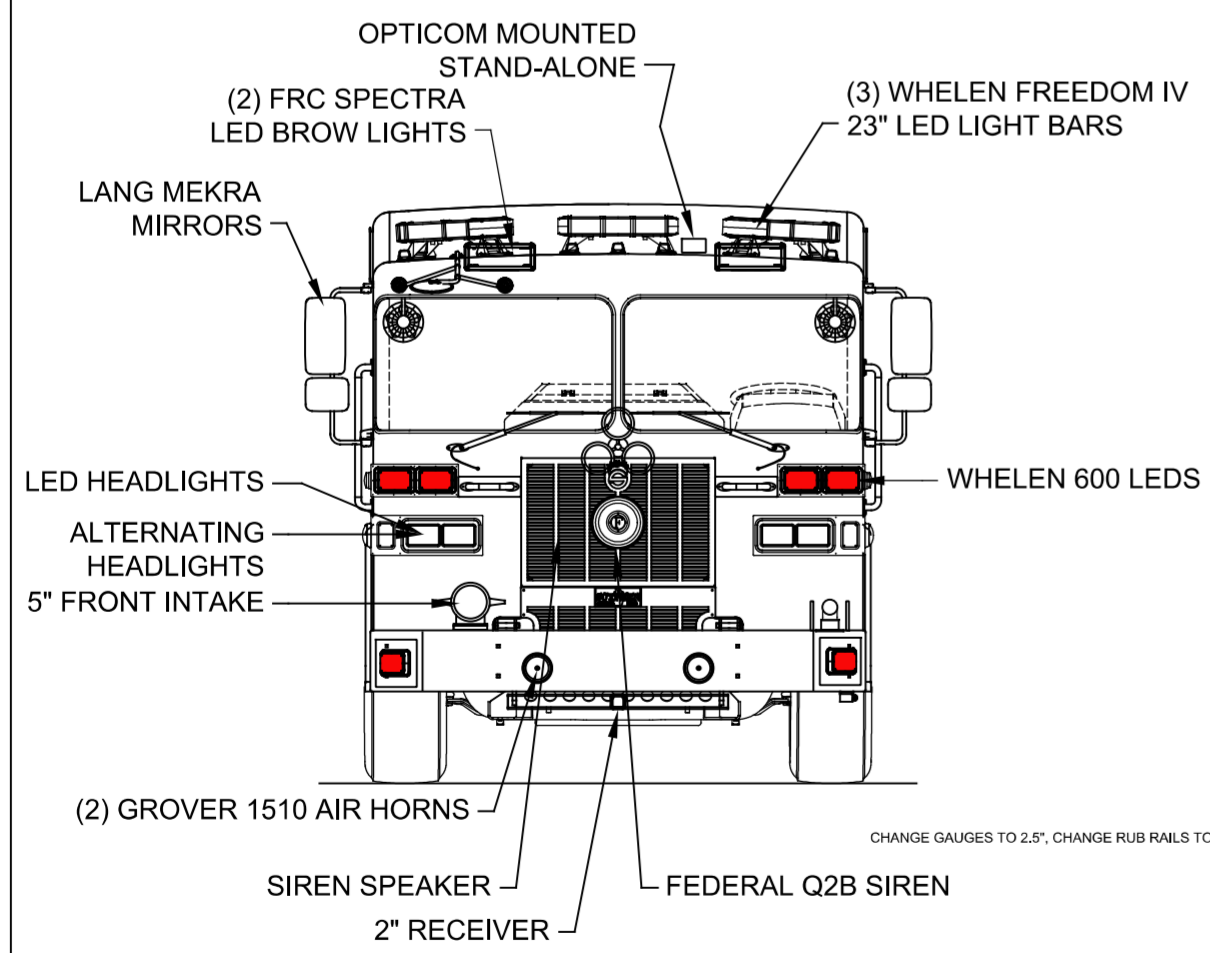
FENDER STORAGE
 LFF: TRIPLE SCBA
 LRF: SCBA AND FUEL COMBO
 RFF: TRIPLE SCBA
 RRF: TRIPLE SCBA

WATEROUS CSU 2000GPM PUMP
 750 GALLONS OF WATER
 FOAM PRO 2002, 5.0 GPM
 40 GALLONS OF FOAM



Hose Load
 1:500ft of 3"
 2:1200ft of 5"
 3:200ft of 2" PRECONNECT
 4:300ft of 2" PRECONNECT
 BACKBOARD COMPT
 5:200ft of 3" PRECONNECT

BACKBOARD



DIMENSIONS SHOWN ON THIS DRAWING ARE APPROXIMATE AND ARE SUBJECT TO MINOR DEVIATIONS DURING CONSTRUCTION. IN THE EVENT OF A DISCREPANCY BETWEEN THE SUTPHEN SPECIFICATIONS AND DRAWING, THE SUTPHEN SPECIFICATIONS SHALL PREVAIL. DRAWING IS FOR REFERENCE ONLY. SOME ITEMS PROPOSED MAY NOT BE SHOWN OR NOTED.	CUSTOMER APPROVAL NAME: _____ TITLE: _____ DATE: _____		D/E/F/G CHANGE GAUGES TO 2.5", CHANGE RUB RAILS TO POLY, ADD ONE ADDITIONAL STEP ON PUMP PANEL/ ADDED ROTO-RAY/ADDED L2 DOOR LIGHT/ ADDED IONS ON L1/R1 SED 6/7/23 DRAWN BY: S.DORFMAN	 NORTH GREECE FIRE DISTRICT ROCHESTER, NY CUSTOM STAINLESS PUMPER - PS-11 DWG. NO.: HS-7404
			C CHANGE BROW LIGHTS AND SCENE LIGHTS TO 12V SED 03/17/23	
			B GRAPHIC CHANGES SED 03/01/23	
			A CHANGES FROM PRE-CON SED 09/01/2022	
REV. _____ DESCRIPTION _____ BY _____ DATE _____			MFG. FACILITY: EAST	
THIS PRINT IS PROVIDED ON A RESTRICTED BASIS AND IS NOT TO BE USED IN ANY WAY DETRIMENTAL TO THE INTEREST OF SUTPHEN CORPORATION.				