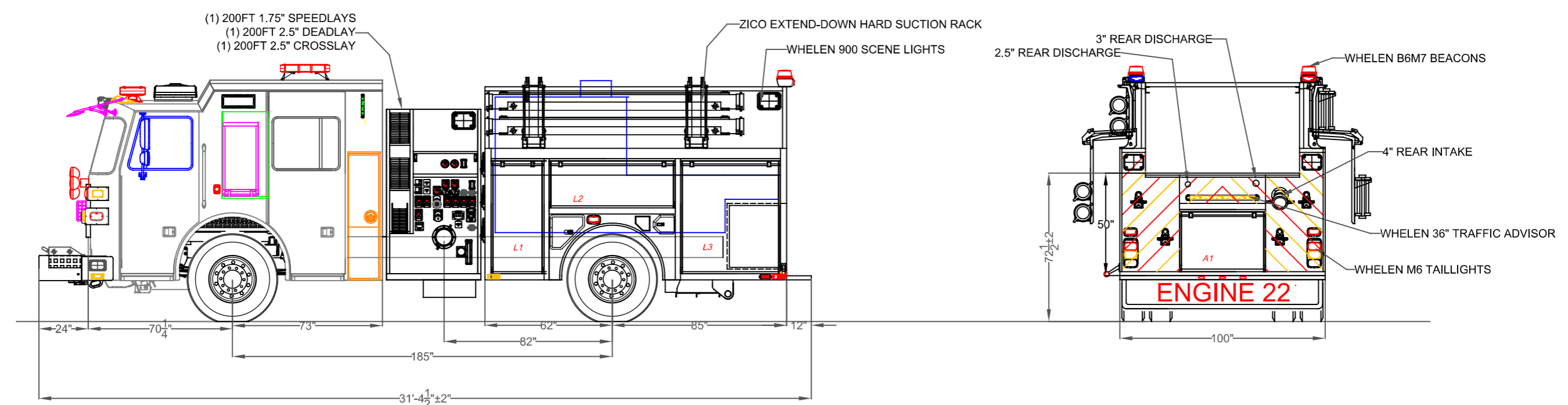


Left Side Compartmentation				
Compt	Doors	Opening Dimensions	Inside Dimensions	Volume
			WxHxD	
L1	Roll Up	23x50	30x60x27.25/10.25	25.4 CU FT
L2	Roll Up	57x20	64x30x27.25/10.25	20.1 CU FT
L3	Roll Up	46x50	53x60x27.25/10.25	43.4 CU FT
Right Side Compartmentation				
Compt	Doors	Opening Dimensions	Inside Dimensions	Volume
R1	Roll Up	23x50	30x60x27.25/10.25	25.4 CU FT
R2	Roll Up	57x20	64x30x27.25/10.25	20.1 CU FT
R3	Roll Up	46x50	53x60x27.25/10.25	43.4 CU FT
Rear Compartmentation				
Compt	Doors	Opening Dimensions	Inside Dimensions	Volume
A1	Roll Up	35x22	42x32x28.25	22.0 CU FT

Hale Qmax xs 1500 single stage
 Water Tank Capacity 1000 gal
 Foam Tank Capacity 30 gal

Total Volume	199.6 CU Ft
--------------	-------------



DIMENSIONS SHOWN ON THIS DRAWING ARE APPROXIMATE AND ARE SUBJECT TO MINOR DEVIATIONS DURING CONSTRUCTION. IN THE EVENT OF A DISCREPANCY BETWEEN THE SUTPHEN SPECIFICATIONS AND DRAWING, THE SUTPHEN SPECIFICATIONS SHALL PREVAIL. DRAWING IS FOR REFERENCE ONLY. SOME ITEMS PROPOSED MAY NOT BE SHOWN OR NOTED.	CUSTOMER APPROVAL						DRAWN BY: J. GORDON	SUTPHEN EAST 55 INNOVATION DRIVE LAKE ARIEL, PA 1-844-776-2889
	NAME:		B	UPDATED PER EMAIL	JVG	05/10/2022	DATE: 09/09/2021	
	TITLE:		A	UPDATED PER PRE-CON CHANGES	JVG	04/08/2022	MFG. FACILITY: SUTPHEN EAST LAKE ARIEL, PA	CUSTOM ALUMINUM PUMPER
	DATE:		REV.	DESCRIPTION	BY	DATE		DWG. NO.: HS 7232

THIS PRINT IS PROVIDED ON A RESTRICTED BASIS AND IS NOT TO BE USED IN ANY WAY DETRIMENTAL TO THE INTEREST OF SUTPHEN CORPORATION.