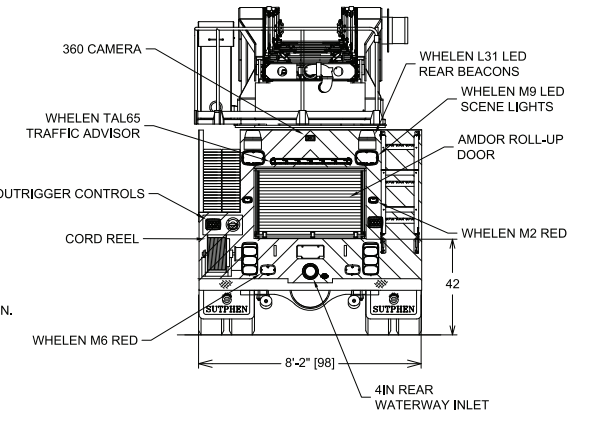
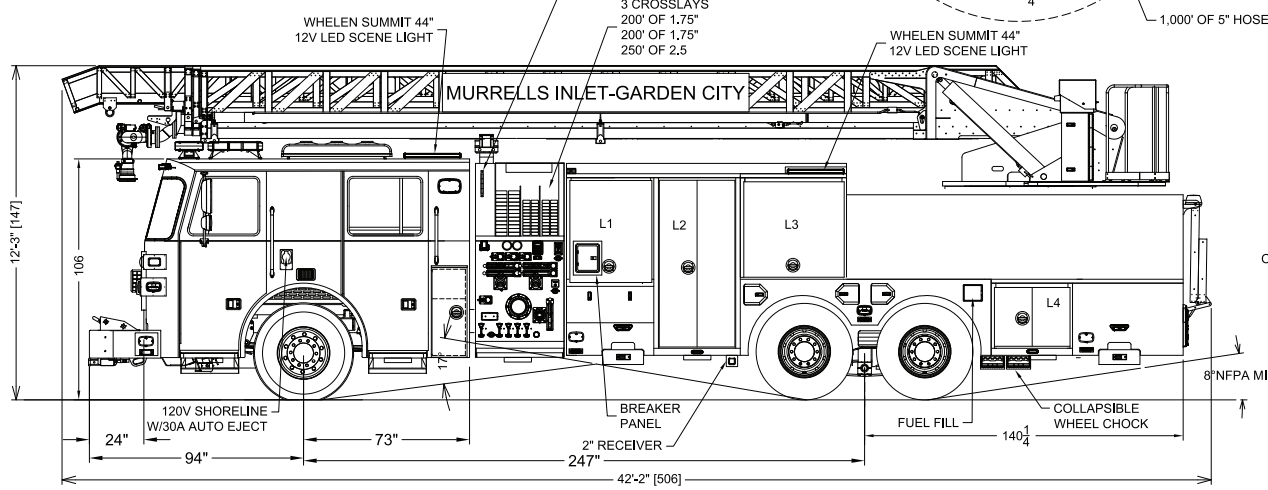
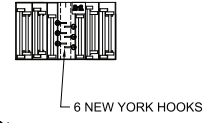


COMPT	DOORS	INSIDE DIMENSIONS	VOLUME
L1	HINGED	38.23"W x 45.43"H x 16.82"D	16.90 CU. FT.
L2	HINGED	37.97"W x 75.81"H x 20.00"D	33.31 CU. FT.
L3	HINGED	46.80"W x 45.42"H x 20.00"D	24.60 CU. FT.
L4	HINGED	37.85"W x 30.30"H x 20.00"D	13.27 CU. FT.
R1	HINGED	30.48"W x 10.00"H x 16.81"D	4.88 CU. FT.
R2	HINGED	42.72"W x 15.57"H x 20.00"D	37.47 CU. FT.
R3	HINGED	46.88"W x 45.42"H x 20.00"D	24.64 CU. FT.
R4	HINGED	61.85"W x 36.17"H x 20.00"D	25.89 CU. FT.
R5	HINGED	33.10"W x 62.05"H x 20.00"D	23.77 CU. FT.
R6 LOWER	HINGED	53.00"W x 15.50"H x 16.81"D	7.71 CU. FT.
R6 UPPER	HINGED	53.00"W x 21.17"H x 20.00"D	12.98 CU. FT.
R7	HINGED	22.39"W x 30.30"H x 20.00"D	7.85 CU. FT.
TOTAL VOLUME			233.27 CU. FT.

- DUO-SAFETY LADDER COMPLIMENT
- 585-A 10' FOLDING
 - 300-A 14' COMBINATION
 - 775-A 14' ROOF
 - 875-A 16' ROOF
 - 900-A 16' ROOF
 - 900-A 24' 2-SECTION
 - 1200-A 84' 2-SECTION
 - 1200-A 35' 2-SECTION



DIMENSIONS SHOWN ON THIS DRAWING ARE APPROXIMATE AND ARE SUBJECT TO MINOR DEVIATIONS DURING CONSTRUCTION.

IN THE EVENT OF A DISCREPANCY BETWEEN THE SUTPHEN SPECIFICATIONS AND DRAWING, THE SUTPHEN SPECIFICATIONS SHALL PREVAIL.

DRAWING IS FOR REFERENCE ONLY, SOME ITEMS PROPOSED MAY NOT BE SHOWN OR NOTED.

CUSTOMER APPROVAL

NAME: _____

TITLE: _____

DATE: _____

REV.	DESCRIPTION	BY	DATE

DRAWN BY: APF

DATE: 3/11/22

MFG. FACILITY: HILLIARD

SUTPHEN

MURRELLS INLET
GARDEN CITY, SC

SLR108

HS-7362