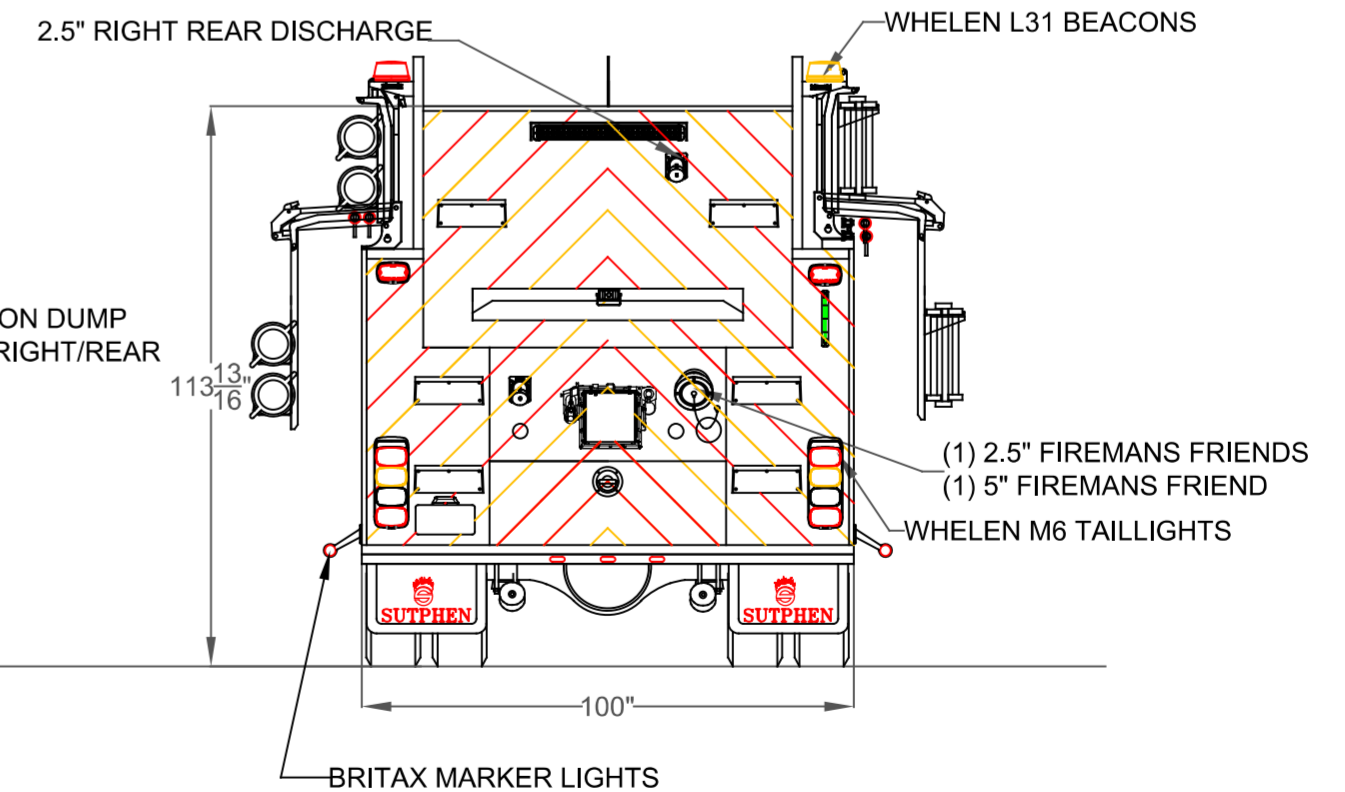
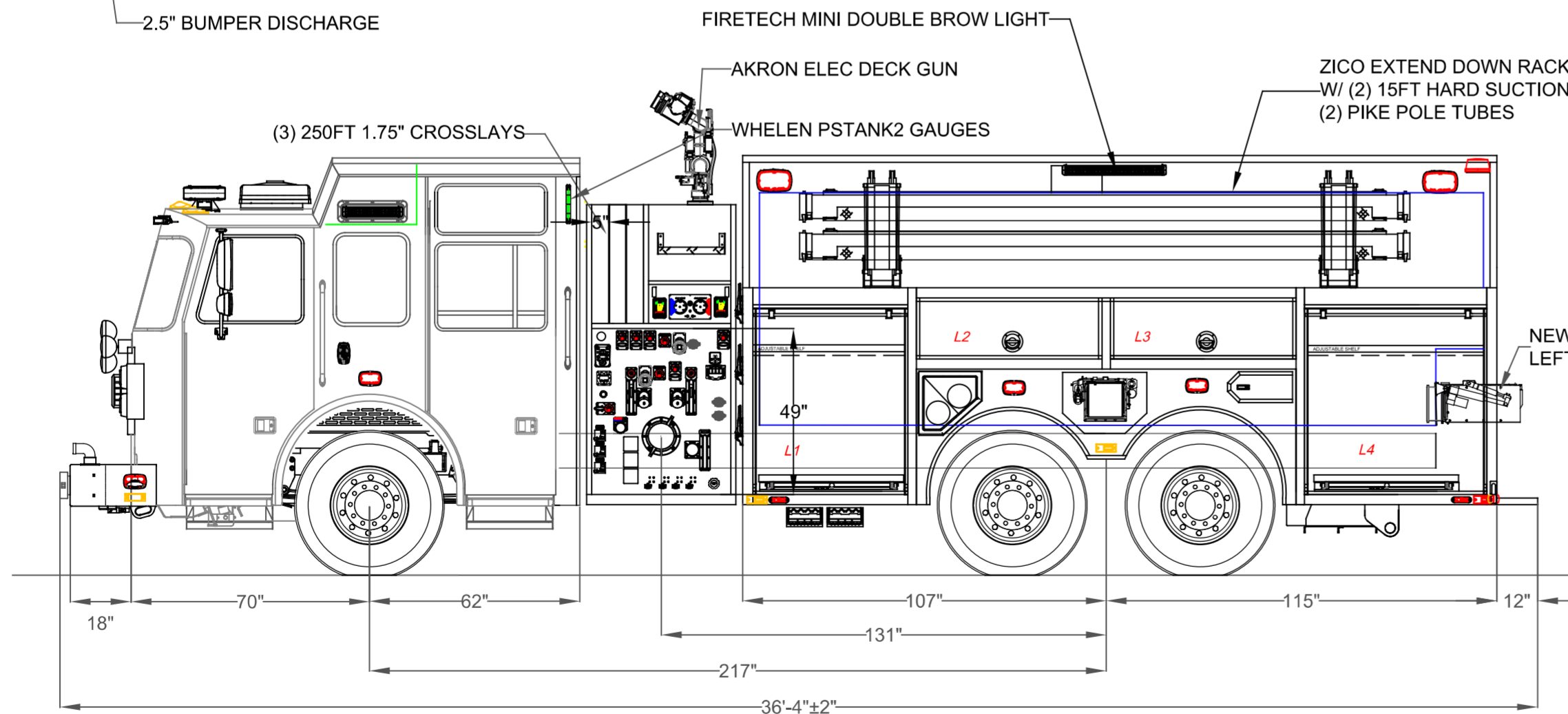


Left Side Compartmentation				
Compt	Doors	Opening Dimensions	Inside Dimensions	Volume
L1	Roll Up	43x50	50x60x24.25/10.25	34.0 CU FT
L2	Hinged	50x10	57.25x20x10.25	6.8 CU FT
L3	Hinged	50x10	57.25x20x10.25	6.8 CU FT
L4	Roll Up	51x50	58x60x24.25/10.25	39.4 CU FT
Right Side Compartmentation				
Compt	Doors	Opening Dimensions	Inside Dimensions	Volume
R1	Roll Up	43x50	50x60x24.25/10.25	34.0 CU FT
R2	Hinged	50x10	57.25x20x10.25	6.8 CU FT
R3	Hinged	50x10	57.25x20x10.25	6.8 CU FT
R4	Roll Up	51x50	58x60x24.25/10.25	39.4 CU FT

Hale Qmax xs 2000 single stage  
Water Tank Capacity 3500 gal  
Foam Tank Capacity 30 gal

Total Volume	174.0 CU Ft
--------------	-------------



DIMENSIONS SHOWN ON THIS DRAWING ARE APPROXIMATE AND ARE SUBJECT TO MINOR DEVIATIONS DURING CONSTRUCTION.	CUSTOMER APPROVAL		D/E/F/G/J	ADD ROOF GRAPHICS, CHANGE MIRRORS TO VELVAC/ CHANGE COMPARTMENT DOOR AJAR CONFIGURATION/ CAB SCENE LIGHT/CHANGE BRAKES/BLACKOUT CHANGES, ADDED DRAWER AND GRAPHICS	SED	7/13/23	DRAWN BY: S.DORFMAN	55 INNOVATION DRIVE LAKE ARIEL, PA 1-844-776-2889
	IN THE EVENT OF A DISCREPANCY BETWEEN THE SUTPHEN SPECIFICATIONS AND DRAWING, THE SUTPHEN SPECIFICATIONS SHALL PREVAIL.	NAME:	C	ADD ROOF GRAPHICS	SED	8/5/22		
DRAWING IS FOR REFERENCE ONLY. SOME ITEMS PROPOSED MAY NOT BE SHOWN OR NOTED.	TITLE:	B	CHANGES TO BLACK OUT ITEM AND DISCHARGE 1,2	SED	7/12/22	MFG. FACILITY: SUTPHEN EAST LAKE ARIEL, PA	LUDWIGS CORNER FC #1 GLENNMOORE, PA	
	DATE:	A	CHANGES FROM PRE-CON	SED	4/18/22	CUSTOM DRY SIDE ALUMINUM TANKER		
		REV.	DESCRIPTION	BY	DATE	HS 7370		
THIS PRINT IS PROVIDED ON A RESTRICTED BASIS AND IS NOT TO BE USED IN ANY WAY DETRIMENTAL TO THE INTEREST OF SUTPHEN CORPORATION.								