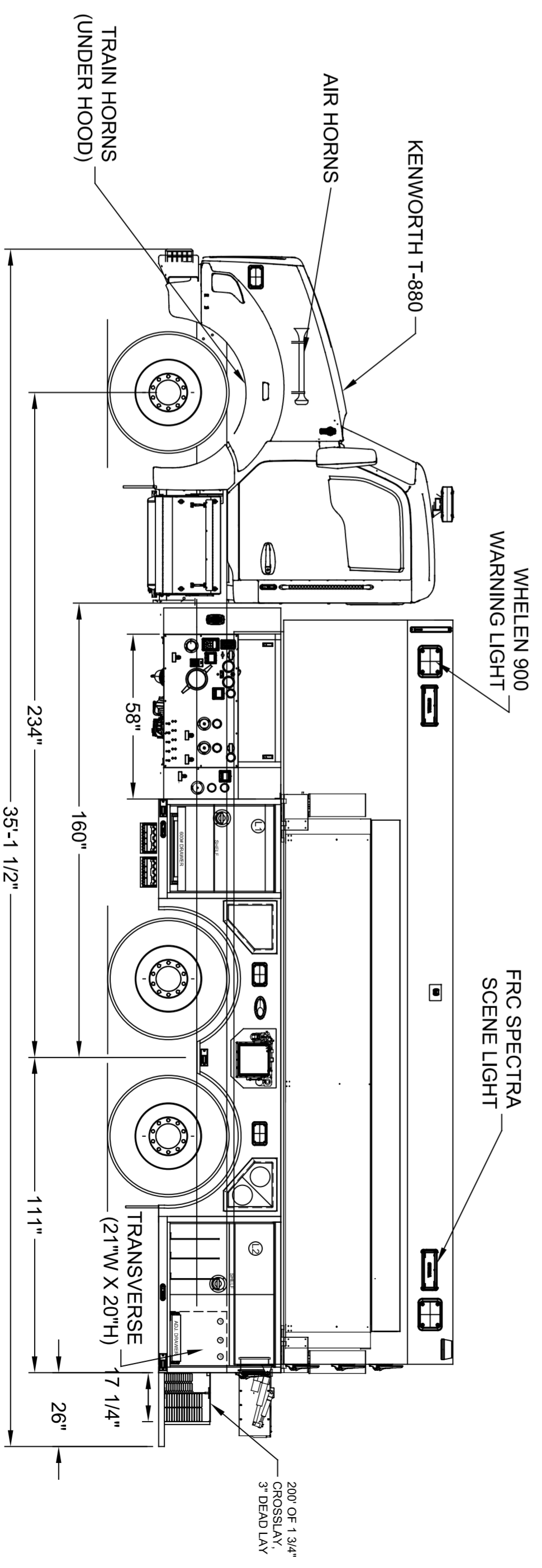
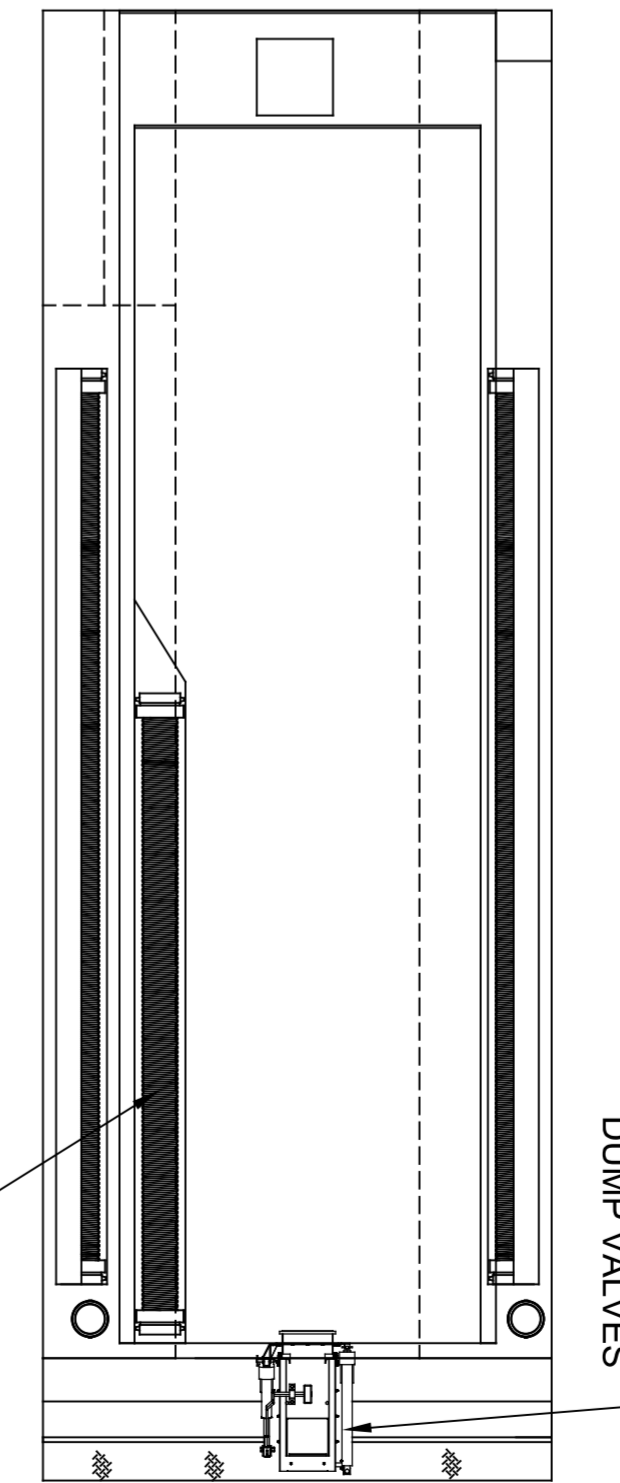
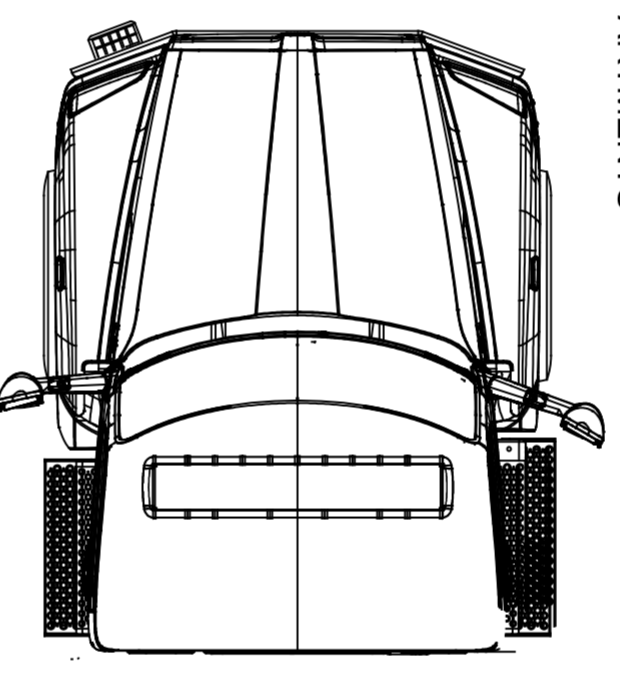
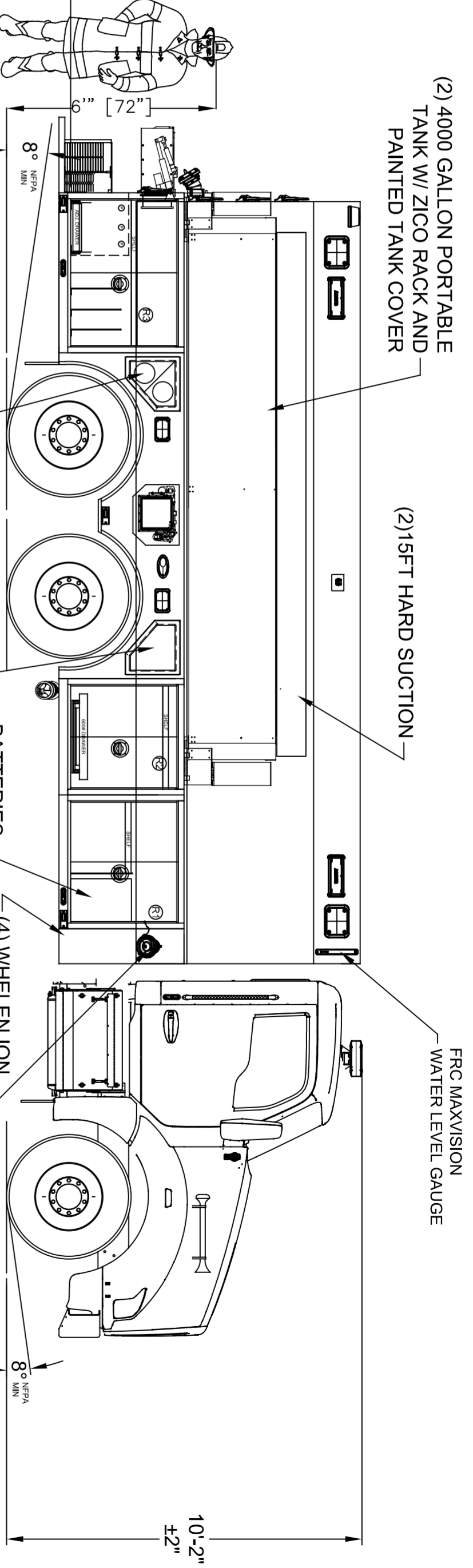
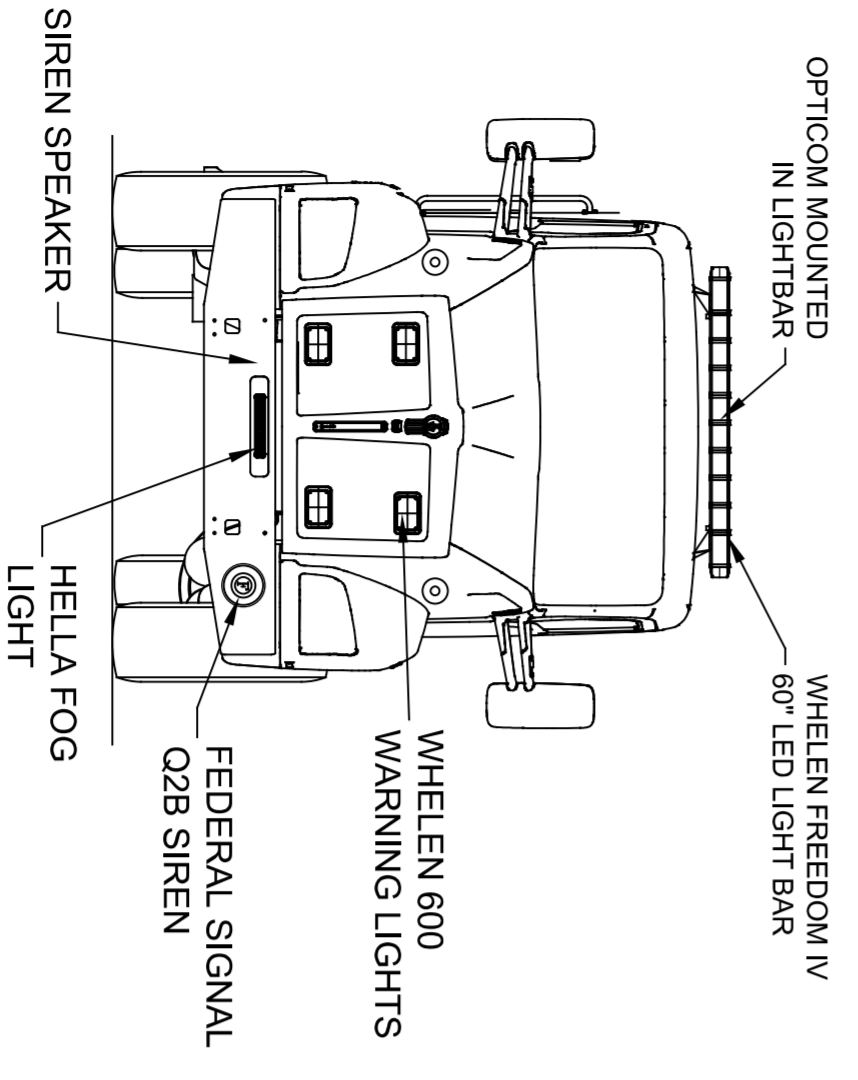


Left Side Compartmentation			Right Side Compartmentation		
Comp't	Doors	Opening Dimensions	Inside Dimensions	Volume	Volume
L1	HINGE	28X33	35.539x24.25	19.2 CU FT	30.1 CU FT
L2	HINGE	48X33	55.539x24.25	30.1 CU FT	
Right Side Compartmentation					
Comp't	Doors	Opening Dimensions	Inside Dimensions	Volume	Volume
R1	HINGE	39X33	46.539x24.25	25.2 CU FT	
R2	HINGE	33X33	40.539x24.25	21.9 CU FT	
R3	HINGE	48X33	55.539x24.25	30.1 CU FT	
					Total Volume
					126.5 CU FT

HALE DSD 1250 SIDE KICK
4000 GALLONS OF WATER



DIMENSIONS SHOWN ON THIS DRAWING ARE APPROXIMATE AND ARE SUBJECT TO MINOR DEVIATIONS DURING CONSTRUCTION.
 IN THE EVENT OF A DISCREPANCY BETWEEN THE SUTPHEN SPECIFICATIONS AND DRAWING, THE SUTPHEN SPECIFICATIONS SHALL PREVAIL.
 DRAWING IS FOR REFERENCE ONLY. SOME ITEMS PROPOSED MAY NOT BE SHOWN OR NOTED.

CUSTOMER APPROVAL			
NAME:		DATE:	
TITLE:			
D	CHANGES FROM CHANGE ORDER D	SED	3/20/23
C	CHANGES FROM CHANGE ORDER C	SED	3/6/23
B	CHANGES FROM CHANGE ORDER B	SED	2/1/23
A	CHANGES FROM PRE-CON	SED	12-22-21

REV.	DESCRIPTION	BY	DATE

SUTPHEN
 COOLBAUGH TWP, FC
 TOBYHANNA, PA
 COMMERCIAL WETSIDE TANKER - SWT-1050-VERSION 2
 HS-7303