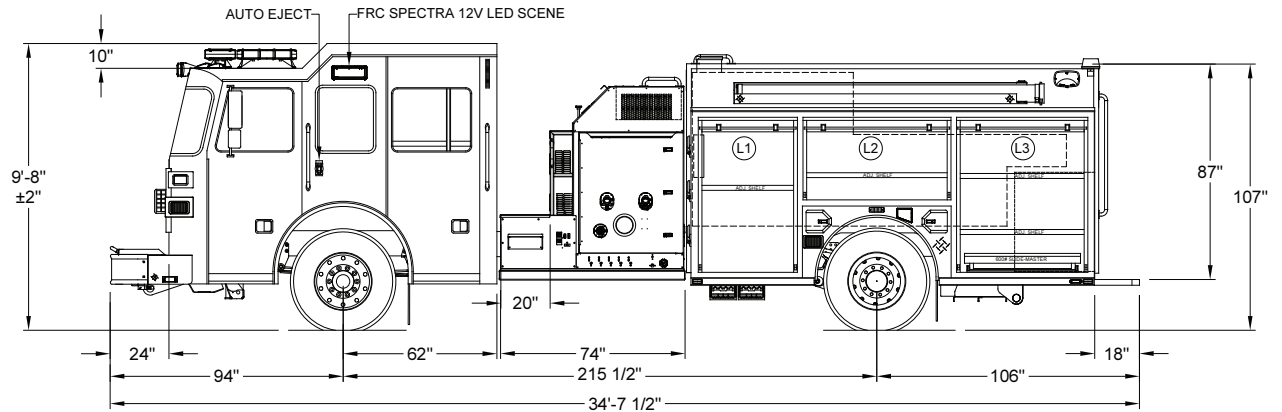
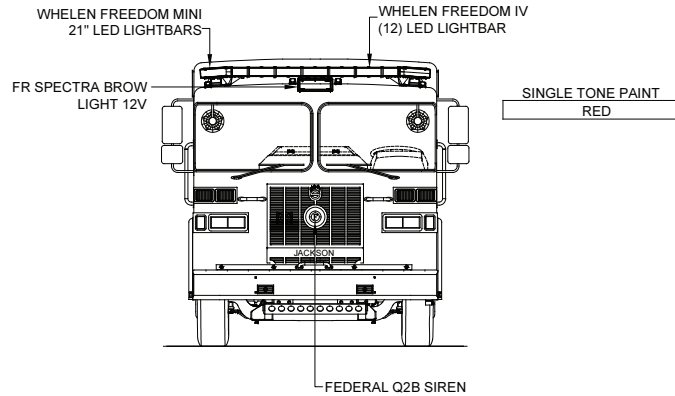
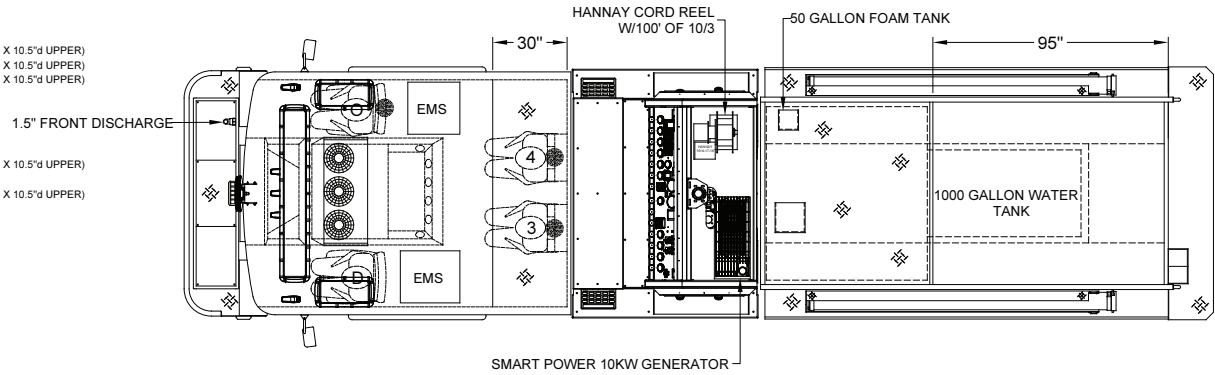


LEFT SIDE COMPARTMENTS				
COMPT	DOORS	OPENING DIMENSIONS	INSIDE DIMENSIONS	VOLUME
L1	ROLL-UP	37.5" w X 57.4" h	43.1" w X 66" h X 27.3" d	40.8 CU. FT. (10" h X 10.5" d UPPER)
L2	ROLL-UP	57.5" w X 28.2" h	61.6" w X 36.8" h X 27.3" d	29.8 CU. FT. (10" h X 10.5" d UPPER)
L3	ROLL-UP	50.5" w X 57.4" h	53.4" w X 66" h X 27.3" d	50.5 CU. FT. (10" h X 10.5" d UPPER)

RIGHT SIDE COMPARTMENTS				
COMPT	DOORS	OPENING DIMENSIONS	INSIDE DIMENSIONS	VOLUME
R1	ROLL-UP	37.5" w X 57.4" h	43.1" w X 66" h X 27.3" d	31.1 CU. FT. (33" h X 10.5" d UPPER)
R2	ROLL-UP	57.5" w X 28.2" h	61.6" w X 36.8" h X 10.5" d	13.8 CU. FT. (33" h X 10.5" d UPPER)
R3	ROLL-UP	50.5" w X 57.4" h	53.4" w X 66" h X 27.3" d	38.9 CU. FT. (33" h X 10.5" d UPPER)

REAR STEP COMPARTMENT				
COMPT	DOORS	OPENING DIMENSIONS	INSIDE DIMENSIONS	VOLUME
A1	ROLL-UP	37.5" w X 32.8" h	40" h X 40" w X 31" d	28.7 CU. FT.
TOTAL: 233.3 CU. FT.				



DIMENSIONS SHOWN ON THIS DRAWING ARE APPROXIMATE AND ARE SUBJECT TO MINOR DEVIATIONS DURING CONSTRUCTION.	CUSTOMER APPROVAL		F	**REV-F** SHOP ORDER	ML	04/05/23	
			E	COMPONENT REPORT UPDATED ADD ONSPOT CHAINS	MC	02/01/22	
IN THE EVENT OF A DISCREPANCY BETWEEN THE SUTPHEN SPECIFICATIONS AND DRAWING, THE SUTPHEN SPECIFICATIONS SHALL PREVAIL.	NAME: _____		D	COMPONENT REPORT UPDATED FOR (6) SPACES BREAKER PANEL	MC	01/25/22	DRAWN BY: M CLARK
	TITLE: _____		C	LADDER CHUTE CHANGE	MC	12/03/21	
DRAWING IS FOR REFERENCE ONLY. SOME ITEMS PROPOSED MAY NOT BE SHOWN OR NOTED.	DATE: _____		REV	DESCRIPTION	BY	DATE	DATE: 02/24/21
			THIS PRINT IS PROVIDED ON A RESTRICTED BASIS AND IS NOT TO BE USED IN ANY WAY DETRIMENTAL TO THE INTEREST OF SUTPHEN CORPORATION.				DWG. NO.: HS-7088

**JACKSON TOWNSHIP FIRE DEPARTMENT**  
MASSILLON, OH

CUSTOM PUMPER - S2 BODY