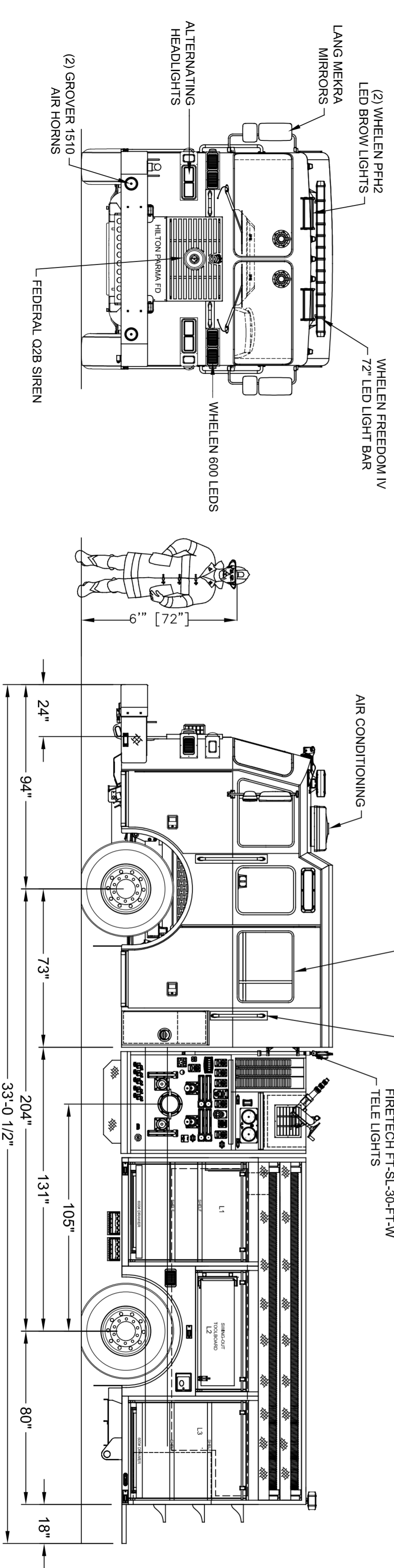


Left Side Compartmentment				
Compt	Opening Dimensions	Volume		
L1	43x49	50x59x24.25	41.4 CU FT	
L2	53x18	60x28x24.25	23.6 CU FT	
L3	43x49	50x59x24.25	41.4 CU FT	
Right Side Compartmentment				
Compt	Opening Dimensions	Volume		
R1	43x31	50x41x24.25	21.1 CU FT	
R2	Hinge	60x11x24.25	9.26 CU FT	
R3	Roll Up	43x31	50x41x24.25	21.1 CU FT
Rear Compartmentment				
Compt	Opening Dimensions	Volume		
A1	Roll Up	41x26	48x36x22.25	22.25 CU FT
Total Volume		178.1 CU FT		

QMAX-1500 GPM 6" SUCTION SINGLE STAGE PUMP, 750 GAL WATER TANK



- Hose Load**
- 1:500ft of 2 1/2"
 - 2:200ft of 1 3/4"
 - 3:500ft of 3"
 - 4:500ft of 3"
 - 5:500ft of 2 1/2"

DIMENSIONS SHOWN ON THIS DRAWING ARE APPROXIMATE AND ARE SUBJECT TO MINOR DEVIATIONS DURING CONSTRUCTION.

IN THE EVENT OF A DISCREPANCY BETWEEN THE SUTPHEN SPECIFICATIONS AND DRAWING, THE SUTPHEN SPECIFICATIONS SHALL PREVAIL.

DRAWING IS FOR REFERENCE ONLY. SOME ITEMS PROPOSED MAY NOT BE SHOWN OR NOTED.

CUSTOMER APPROVAL			
NAME:	TITLE:	DATE:	
REV C	CHANGES FROM MID INSPECTION	SED	2/13/22
REV B	CHANGES FROM GRAPHICS	SED	11/16/2022
REV A	CHANGES FROM PRE-CON	RR	12/15/21
REV.	DESCRIPTION	BY	DATE
	THIS PRINT IS PROVIDED ON A RESTRICTED BASIS AND IS NOT TO BE USED IN ANY WAY DETRIMENTAL TO THE INTERESTS OF SUTPHEN CORPORATION.		

SUTPHEN

HILTON-PARMA FIRE DISTRICT
HILTON, NY

CUSTOM PUMPER -PS-12
HS-7257