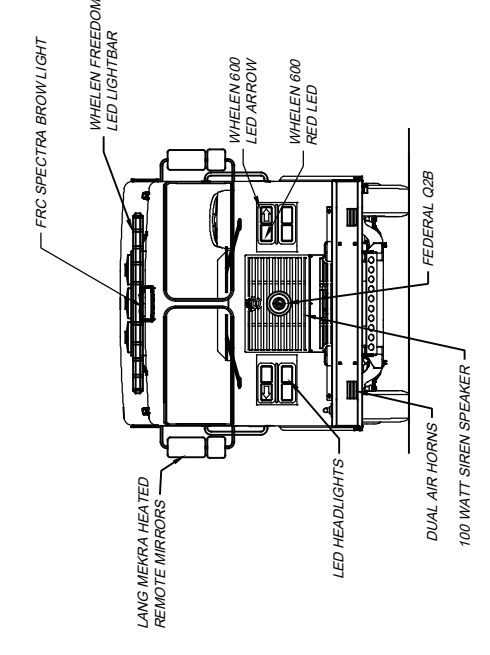


LEFT SIDE COMPARTMENTATION		
COMP	INSIDE DIMENSIONS	VOLUME
L1	40"W X 66"H X 26"D	37.4 CU FT
L2	59"W X 31" X 12"H X 26"D	28.4 CU FT
L3	51" X 12"W X 66"H X 26"D	47.4 CU FT
RIGHT SIDE COMPARTMENTATION		
COMP	INSIDE DIMENSIONS	VOLUME
R1	40"W X 66"H X 26"D	37.4 CU FT
R2	59"W X 31" X 12"H X 26"D	28.4 CU FT
R3	51" X 12"W X 66"H X 26"D	47.4 CU FT
REAR STEP COMPARTMENT		
COMP	INSIDE DIMENSIONS	VOLUME
A1	39" X 12"W X 26"H X 31"D	16.8 CU FT

BASE STORAGE: 246 CU. FT.



CUSTOMER APPROVAL

NAME: _____

TITLE: _____

DATE: _____

DIMENSIONS SHOWN ON THIS DRAWING ARE APPROXIMATE AND ARE SUBJECT TO MINOR DEVIATIONS DURING CONSTRUCTION. IN THE EVENT OF A DISCREPANCY BETWEEN THE SUTPHEN SPECIFICATIONS AND DRAWING, THE SUTPHEN SPECIFICATIONS SHALL PREVAIL. DRAWING IS FOR REFERENCE ONLY. SOME ITEMS PROPOSED MAY NOT BE SHOWN OR NOTED.

REV	DESCRIPTION	BY	DATE
B	Deleted deck gun	JNH	6/13/2022
A	Revised per pre-construction meeting	JNH	6/8/2022

THIS PRINT IS PROVIDED ON AN UNRESTRICTED BASIS AND IS NOT TO BE USED IN ANY WAY DETRIMENTAL TO THE INTERESTS OF SUTPHEN CORPORATION.

DRAWN BY: J-HULLMAN
DATE: 8/1/2021
MFG. FACILITY: URBANA PUMPER DIVISION
PAGE NO.: 45-7180

SUTPHEN
Sycamore Fire Department
Sycamore, OH
PROGRAM 7 CUSTOM PUMPER