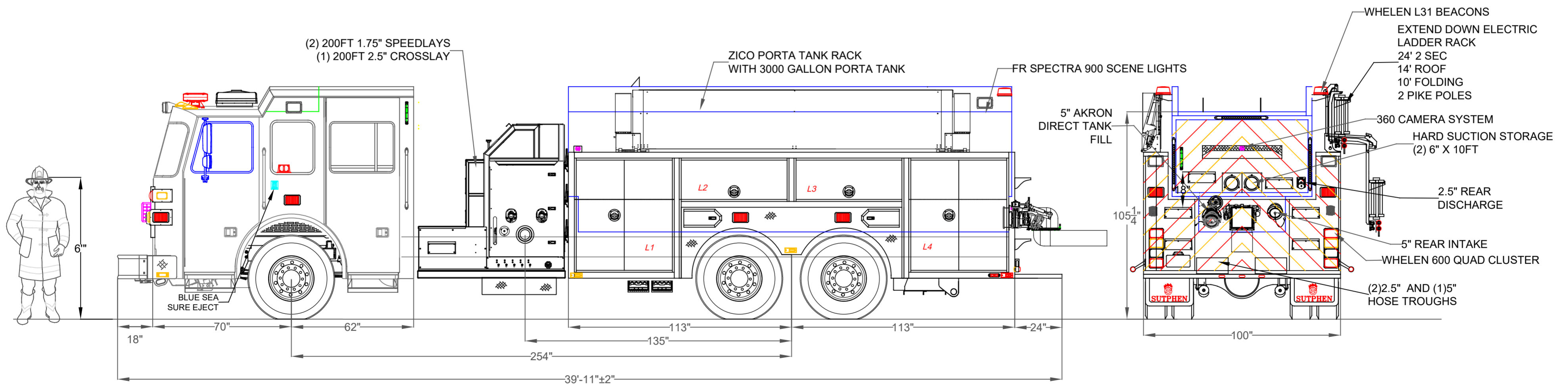


Left Side Compartmentation				
Compt	Doors	Opening Dimensions	Inside Dimensions	Volume
			WxHxD	
L1	Hinged	50x55	55x60x24.25/10.25	35.6 CU FT
L2	Hinged	52x20	58x24x10.25	8.1 CU FT
L3	Hinged	52x20	58x24x10.25	8.1 CU FT
L4	Hinged	50x55	55x60x24.25/10.25	35.6 CU FT
Right Side Compartmentation				
Compt	Doors	Opening Dimensions	Inside Dimensions	Volume
R1	Hinged	50x55	55x60x24.25/10.25	35.6 CU FT
R2	Hinged	52x20	58x24x10.25	8.1 CU FT
R3	Hinged	52x20	58x24x10.25	8.1 CU FT
R4	Hinged	50x55	55x60x24.25/10.25	35.6 CU FT

Hale Qmax 1750 single stage
Water Tank Capacity 3000 gal

Total Volume	174.9 CU FT
--------------	-------------



DIMENSIONS SHOWN ON THIS DRAWING ARE APPROXIMATE AND ARE SUBJECT TO MINOR DEVIATIONS DURING CONSTRUCTION.

IN THE EVENT OF A DISCREPANCY BETWEEN THE SUTPHEN SPECIFICATIONS AND DRAWING, THE SUTPHEN SPECIFICATIONS SHALL PREVAIL.

DRAWING IS FOR REFERENCE ONLY. SOME ITEMS PROPOSED MAY NOT BE SHOWN OR NOTED.

CUSTOMER APPROVAL

NAME: _____

TITLE: _____

DATE: _____

REV.	DESCRIPTION	BY	DATE
B	CHANGES FROM CHANGE ORDER B	SED	12/09/22
A	CHANGES FROM PRE-CON	SED	2/7/2022

THIS PRINT IS PROVIDED ON A RESTRICTED BASIS AND IS NOT TO BE USED IN ANY WAY DETRIMENTAL TO THE INTEREST OF SUTPHEN CORPORATION.

DRAWN BY: S.DORFMAN

DATE: 10/11/21

MFG. FACILITY: SUTPHEN EAST LAKE ARIEL, PA

SUTPHEN EAST
55 INNOVATION DRIVE
LAKE ARIEL, PA
1-844-776-2889

JEFFERSON TOWNSHIP VOLUNTEER FIRE DEPT.
JEFFERSONVILLE, OH

CUSTOM ALUMINUM WETSIDE TANKER

DWG. NO.: HS 7191