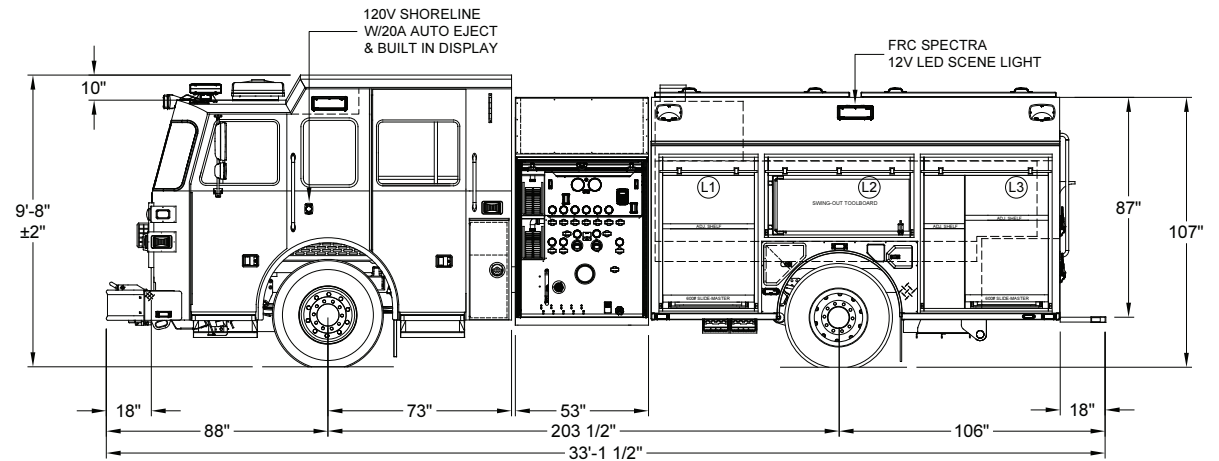
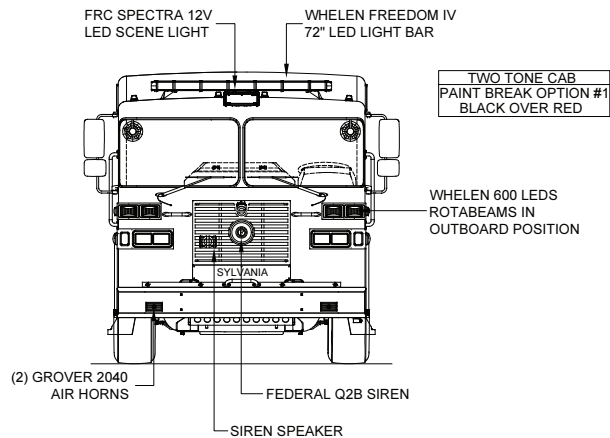
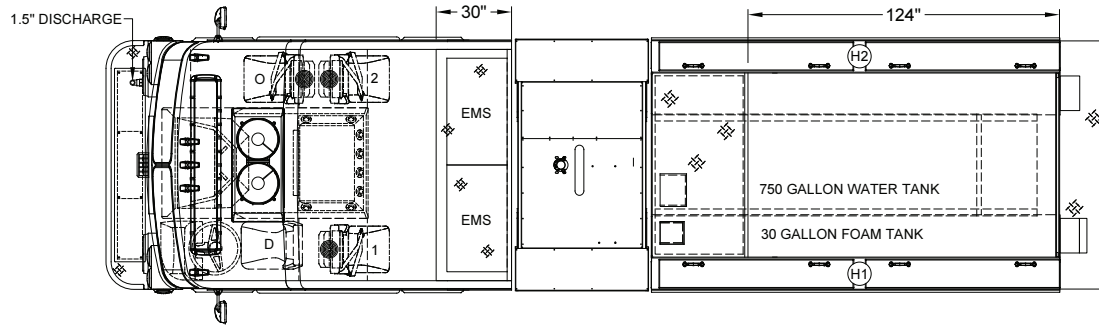


LEFT SIDE COMPARTMENTS				
COMPT	DOORS	OPENING DIMENSIONS	INSIDE DIMENSIONS	VOLUME
L1	ROLL-UP	37.5" w X 55.4" h	43.1" w X 66" h X 25.8" d	39.6 CU. FT. (7.5" h X 10.5" d UPPER)
L2	ROLL-UP	57.5" w X 28.2" h	61.6" w X 36.8" h X 25.8" d	29.8 CU. FT. (7.5" h X 10.5" d UPPER)
L3	ROLL-UP	50.5" w X 55.4" h	53.4" w X 66" h X 25.8" d	49.1 CU. FT. (7.5" h X 10.5" d UPPER)
H1	LIFT-UP	(2) 9.25" w X 73.25" l	162" w X 17.3" h X 12.5" d	20.3 CU. FT.

RIGHT SIDE COMPARTMENTS				
COMPT	DOORS	OPENING DIMENSIONS	INSIDE DIMENSIONS	VOLUME
R1	ROLL-UP	37.5" w X 55.4" h	43.1" w X 66" h X 25.8" d	39.6 CU. FT. (7.5" h X 10.5" d UPPER)
R2	ROLL-UP	57.5" w X 28.2" h	61.6" w X 36.8" h X 25.8" d	29.8 CU. FT. (7.5" h X 10.5" d UPPER)
R3	ROLL-UP	50.5" w X 55.4" h	53.4" w X 66" h X 25.8" d	49.1 CU. FT. (7.5" h X 10.5" d UPPER)
H2	LIFT-UP	(2) 9.25" w X 73.25" l	162" w X 17.3" h X 12.5" d	20.3 CU. FT.

REAR STEP COMPARTMENT				
COMPT	DOORS	OPENING DIMENSIONS	INSIDE DIMENSIONS	VOLUME
A1	ROLL-UP	40.5" w X 30.8" h	43" w X 28" h X 31" d	21.6 CU. FT.
<b>TOTAL:</b>				<b>299.0 CU.FT.</b>



DIMENSIONS SHOWN ON THIS DRAWING ARE APPROXIMATE AND ARE SUBJECT TO MINOR DEVIATIONS DURING CONSTRUCTION.	CUSTOMER APPROVAL	
	NAME:	
IN THE EVENT OF A DISCREPANCY BETWEEN THE SUTPHEN SPECIFICATIONS AND DRAWING, THE SUTPHEN SPECIFICATIONS SHALL PREVAIL.	TITLE:	
DRAWING IS FOR REFERENCE ONLY. SOME ITEMS PROPOSED MAY NOT BE SHOWN OR NOTED.	DATE:	

REV.	DESCRIPTION	BY	DATE	MFG FACILITY
J	CHANGED THE OFFICER'S SEAT FROM VALOR TO BOSTROM	KG	09/19/22	DATE: 02/04/21
I	REMOVED REAR SCENE SWITCH FROM LCC #5 & ADDED OPT. FOR PUMP INTERLOCK NOT TIED TO ODOMETER	KG	09/13/22	DRAWN BY: K.GOON
H	UPDATED THE DESCRIPTION FOR THE SPECIAL ITEM FOR TP WRAP ON THE CAB CORNERS	KG	08/19/22	
G	ADDED A REAR SCENE SWITCH TO LOWER CONSOLE 5	KG	07/01/22	

**SUTPHEN**  
SYLVANIA TWP. FIRE DEPARTMENT  
SYLVANIA, OH  
CUSTOM PUMPER - S9  
HS-7027