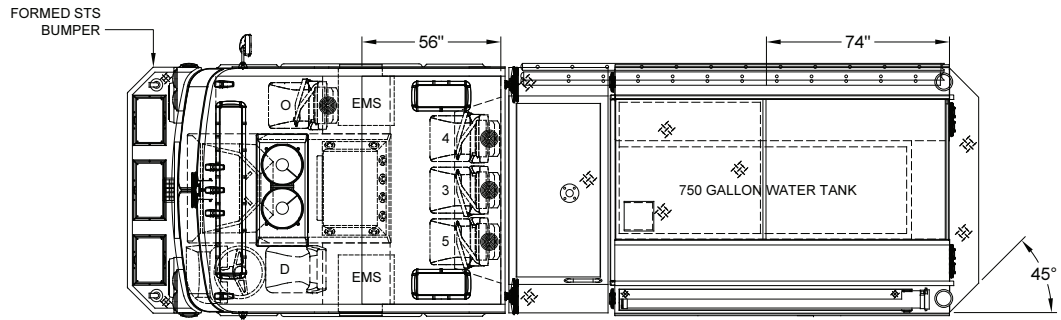


LEFT SIDE COMPARTMENTS				
COMPT	DOORS	OPENING DIMENSIONS	INSIDE DIMENSIONS	VOLUME
L1	ROLL-UP	25.5" w X 63.4" h	31.1" w X 72" h X 27.3" d	35.4 CU. FT.
L2	ROLL-UP	57.5" w X 34.2" h	61.6" w X 42.8" h X 27.3" d	41.6 CU. FT.
L3	ROLL-UP	34.5" w X 63.4" h	37.4" w X 72" h X 27.3" d	42.5 CU. FT.

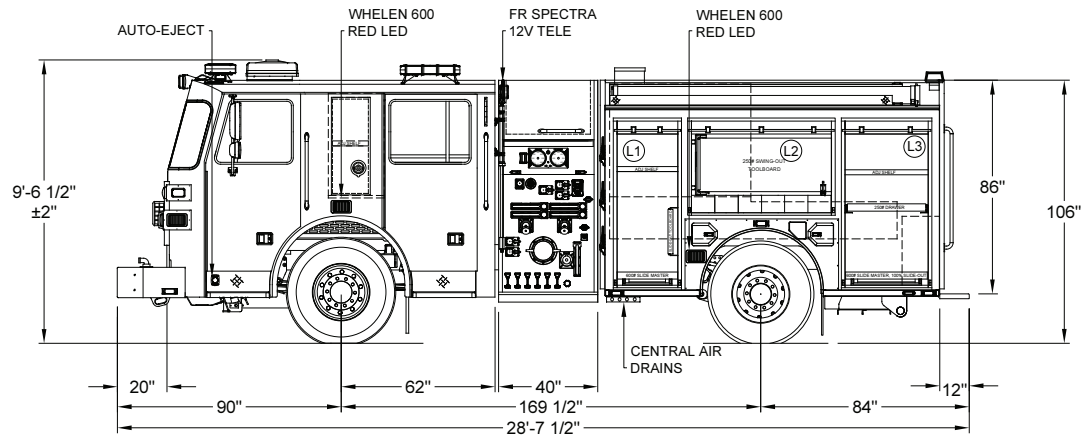
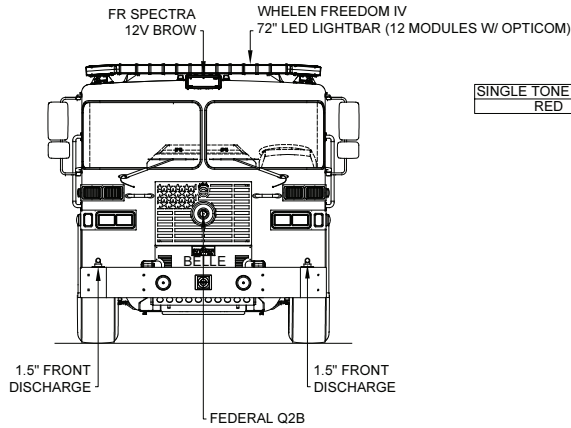
RIGHT SIDE COMPARTMENTS				
COMPT	DOORS	OPENING DIMENSIONS	INSIDE DIMENSIONS	VOLUME
R1	ROLL-UP	25.5" w X 31.4" h	31.1" w X 40" h X 27.3" d	17.8 CU. FT. (6" h X 10.5" d UPPER)
R2	DROP DOWN	57.0" w X 7.3" h	61.6" w X 7.5" h X 12.5" d	3.2 CU. FT.
R3	ROLL-UP	34.5" w X 31.4" h	37.4" w X 40" h X 27.3" d	21.5 CU. FT. (12" h X 10.5" d UPPER)

REAR STEP COMPARTMENT				
COMPT	DOORS	OPENING DIMENSIONS	INSIDE DIMENSIONS	VOLUME
A1	ROLL-UP	37.5" w X 32.8" h	40" w X 28" h X 15" d	9.7 CU. FT.

TOTAL: 171.7 CU.FT.



MAX HEIGHT 9'-8"
MAX LENGTH 29'



DIMENSIONS SHOWN ON THIS DRAWING ARE APPROXIMATE AND ARE SUBJECT TO MINOR DEVIATIONS DURING CONSTRUCTION.

IN THE EVENT OF A DISCREPANCY BETWEEN THE SUTPHEN SPECIFICATIONS AND DRAWING, THE SUTPHEN SPECIFICATIONS SHALL PREVAIL.

DRAWING IS FOR REFERENCE ONLY. SOME ITEMS PROPOSED MAY NOT BE SHOWN OR NOTED.

CUSTOMER APPROVAL

NAME: _____

TITLE: _____

DATE: _____

I	SWITCH FOR INVERTER HAS BEEN REMOVED	TF	02/08/2022	DATE:	01/09/2021
H	SIREN SPEAKER MODEL HAS CHANGED TO WHELEN SA314A	TF	11/05/2021	DRAWN BY:	T. FAHOUM
G	REFERENCE SHOP ORDER CHANGE DOCUMENT ON SHARED DRIVE	TF	09/17/2021		
F	DELETED A1 DOOR CHEVRONS	TF	08/13/2021		
REV.	DESCRIPTION	BY	DATE	MFG. FACILITY:	DUBLIN

BELLE FIRE DEPARTMENT
BELLE, WV

CUSTOM PUMPER - PA-11 (MODIFIED)

DWG. NO.: HS-6999