

LADDER CHUTE
 (1) 24' 2-SEC
 (1) 35' 3-SEC
 (1) 10' FOLDING
 (1) 16' ROOF

FRC SPECTRA 900
 SCENE LIGHT

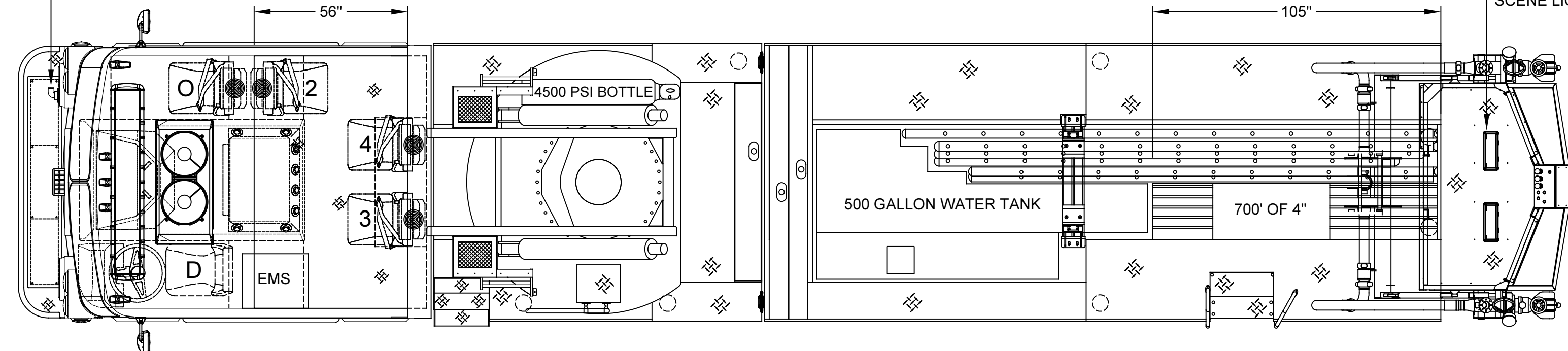
BRITAX MARKER
 LIGHTS

FR SPECTRA 240V
 SCENE LIGHT

WHELEN 600
 WARNING LIGHT

SINGLE TONE CAB
 RED

1.5" DISCHARGE



FR SPECTRA 240V
 SCENE LIGHTS

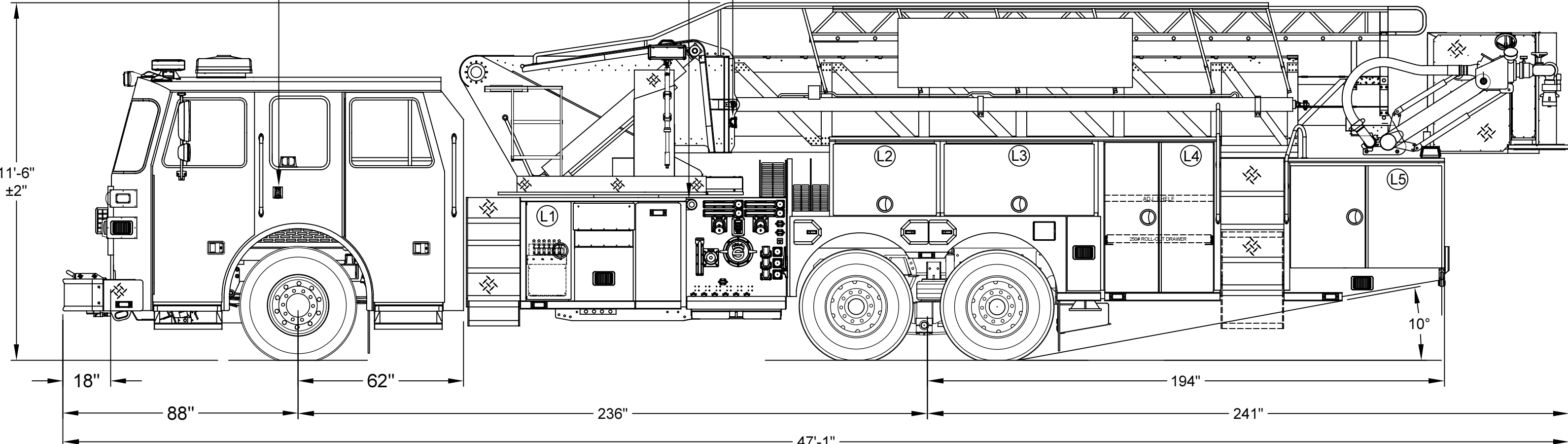
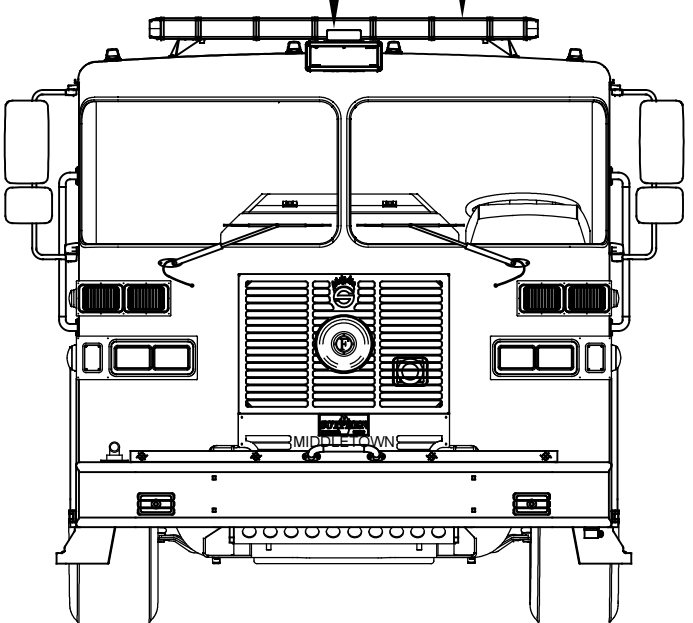
TOMAR 3065
 TRAFFIC EMITTER

WHELEN FREEDOM IV
 72" LIGHTBAR

BLUE SEA SURE-EJECT
 120V SHORELINE

FIRETECH LASER CANNON
 OUTRIGGER SPOTLIGHTS

FIRETECH AERIAL
 SPOTLIGHTS



DOOR OPENINGS			COMPARTMENT DIMENSIONS		
COMPT.	HEIGHT	WIDTH	HEIGHT	WIDTH	DEPTH
L1	34 1/16	13 7/16	38 1/2	20 5/16	27 1/2
L2	23	33 1/4	27 1/2	41 1/2	12 1/8
L3	23	50 1/4	27 1/2	58	12 1/8
L4	51 3/4	37 1/2	56 1/2	45 3/4	26 1/2
L5	36 1/2	54 1/4	40	57 1/4	26 1/2

DOOR OPENINGS			COMPARTMENT DIMENSIONS		
COMPT.	HEIGHT	WIDTH	HEIGHT	WIDTH	DEPTH
R1	34 1/16	33 7/16	38 1/2	40	8 1/2 LOWER 10" 27 1/2 UPPER 28 1/2"
R2	23	33 1/4	27 1/2	41 1/2	26 1/2
R3	23	50 1/4	27 1/2	58	26 1/2
R4	51 3/4	37 1/2	56 1/2	45 3/4	26 1/2
R5	51 3/4	37 1/2	56 1/2	45 3/4	26 1/2
R6	35 3/8	30 3/4	40 1/8	34 3/4	26 1/2

DOOR OPENINGS			COMPARTMENT DIMENSIONS		
COMPT.	HEIGHT	WIDTH	HEIGHT	WIDTH	DEPTH
A1	9 1/8	24 1/2	9 7/8	26	88

TOTAL COMPARTMENT VOLUME - 283.49 CU.FT.

DIMENSIONS SHOWN ON THIS DRAWING ARE APPROXIMATE AND ARE SUBJECT TO MINOR DEVIATIONS DURING CONSTRUCTION.

IN THE EVENT OF A DISCREPANCY BETWEEN THE SUTPHEN SPECIFICATIONS AND DRAWING, THE SUTPHEN SPECIFICATIONS SHALL PREVAIL.

DRAWING IS FOR REFERENCE ONLY. SOME ITEMS PROPOSED MAY NOT BE SHOWN OR NOTED.

CUSTOMER APPROVAL

NAME: _____

TITLE: _____

DATE: _____

REV.	DESCRIPTION	BY	DATE
G	REV-G SHOP ORDER/REFERENCE SHOP ORDER CHANGE DOCUMENT ON SHARED DRIVE	JML	07/19/2022
F	REV-F SHOP ORDER/REFERENCE SHOP ORDER CHANGE DOCUMENT ON SHARED DRIVE	JML	07/07/2022
E	REV-E SHOP ORDER/REFERENCE SHOP ORDER CHANGE DOCUMENT ON SHARED DRIVE	JML	04/01/2022
D	REV-D SHOP ORDER/REFERENCE SHOP ORDER CHANGE DOCUMENT ON SHARED DRIVE	JML	10/28/2021

DRAWN BY:
J. LAMBERT

DATE:
06/29/21

MFG. FACILITY:
DUBLIN

MIDDLETOWN DIVISION OF FIRE
 MIDDLETOWN, OH

SPH100 AERIAL PLATFORM

DWG. NO.: HS-7186