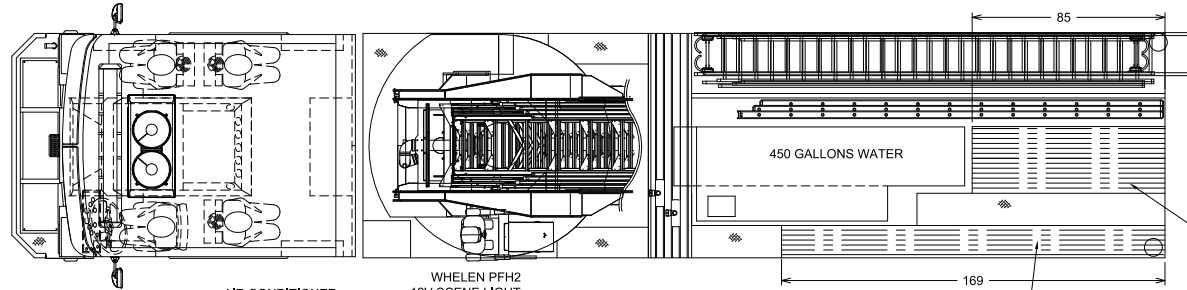
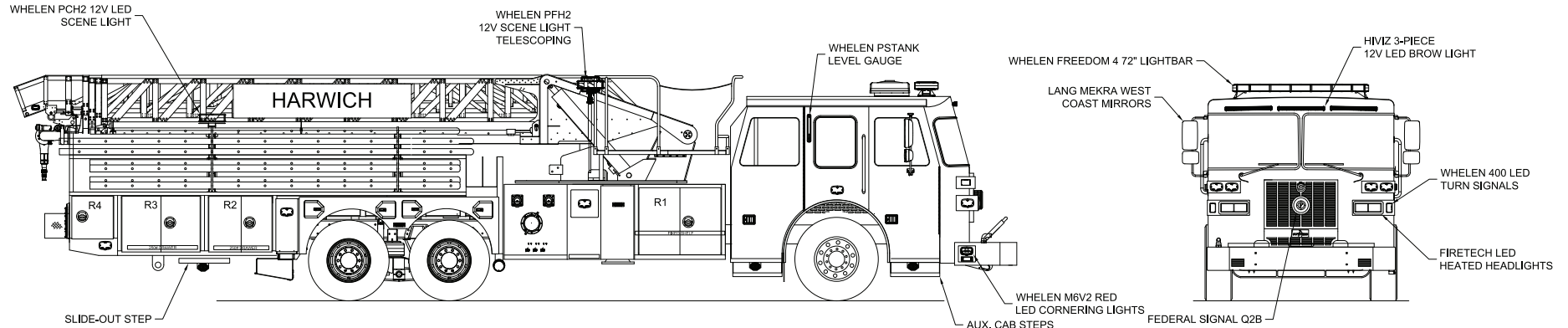
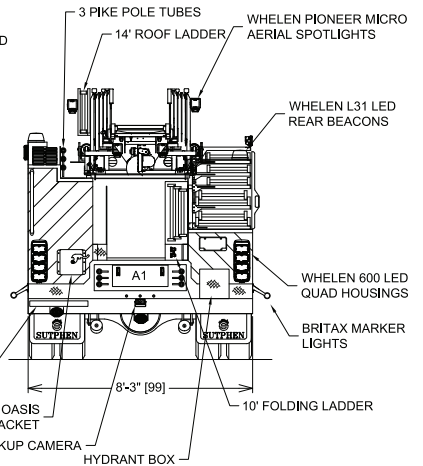
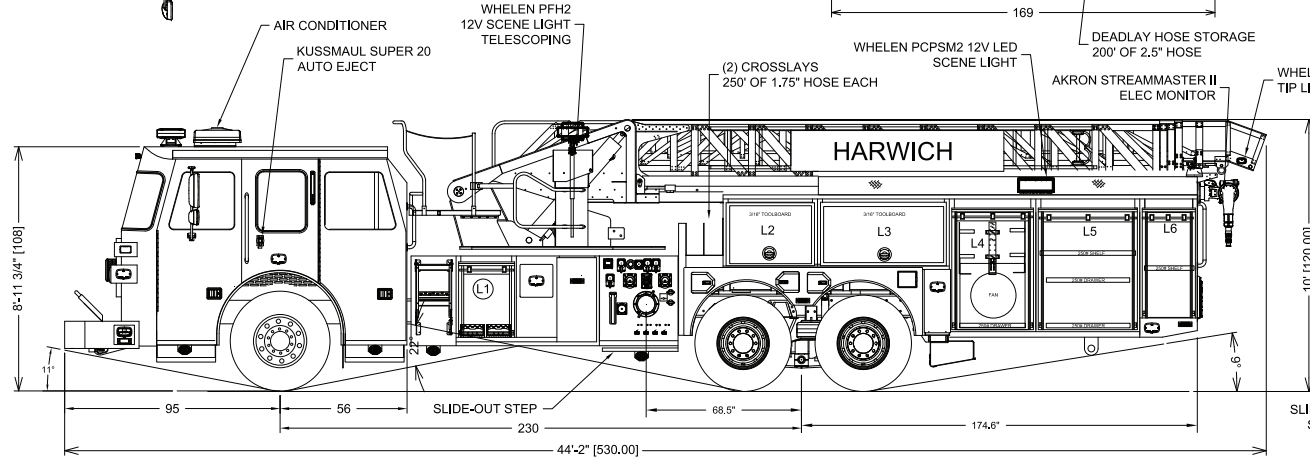


COMPT	DOORS	OPENING DIMENSIONS	INSIDE DIMENSIONS	VOLUME
L1	ROLL-UP		WHEEL CHOCKS AND HYDRAULICS	N/A
L2	HINGED	33.00"W x 24.00"H	41.88"W x 28.49"H x 12"D	8.21 CU. FT.
L3	HINGED	58.00"W x 24.00"H	57.99"W x 28.49"H x 12"D	11.47 CU. FT.
L4	ROLL-UP	31.41"W x 43.00"H	37.91"W x 52.50"H x 26.50"D	30.82 CU. FT.
L5	ROLL-UP	39.18"W x 43.00"H	45.68"W x 52.50"H x 26.50"D	36.76 CU. FT.
L6	ROLL-UP	16.27"W x 43.00"H	22.77"W x 47.81"H x 26.50"D	16.69 CU. FT.

COMPT	DOORS	OPENING DIMENSIONS	INSIDE DIMENSIONS	VOLUME
R1 UPPER	HINGED	21.5"W x 34.43"H	28.00"W x 26.50"H x 18.50"D	7.84 CU. FT.
R1 LOWER			28.00"W x 9.75"H x 6.90"D	1.09 CU. FT.
R2	HINGED	29.40"W x 24.77"H	37.84"W x 29.00"H x 26.50"D	16.84 CU. FT.
R3	HINGED	37.17"W x 24.77"H	45.67"W x 29.00"H x 26.50"D	20.32 CU. FT.
R4	HINGED	14.37"W x 20.08"H	22.87"W x 24.35"H x 26.50"D	6.53 CU. FT.
A1	HINGED	23.00"W x 9.50"H	24.50"W x 9.50"H x 26.00"D	11.88 CU. FT.
TOTAL VOLUME				170.02 CU. FT.



- DUO-SAFETY CUSTOM LADDER COMPLIMENT
- 10' FOLDING (HOSE BED CHUTE)
- 14' ROOF (AERIAL BASE SECTION)
- 16' ROOF (LADDER RACK)
- 18' ROOF (LADDER RACK)
- 18' ROOF (LADDER RACK)
- 28' 2-SECTION (LADDER RACK)
- 28' 2-SECTION (LADDER RACK)
- 35' 3-SECTION (HOSE BED CHUTE)



DIMENSIONS SHOWN ON THIS DRAWING ARE APPROXIMATE AND ARE SUBJECT TO MINOR DEVIATIONS DURING CONSTRUCTION.	CUSTOMER APPROVAL				DRAWN BY: APF	DATE: 09/28/2021	MFG. FACILITY: HILLIARD	
	IN THE EVENT OF A DISCREPANCY BETWEEN THE SUTPHEN SPECIFICATIONS AND DRAWING, THE SUTPHEN SPECIFICATIONS SHALL PREVAIL.	NAME:						
DRAWING IS FOR REFERENCE ONLY. SOME ITEMS PROPOSED MAY NOT BE SHOWN OR NOTED.	DATE:		REV.	DESCRIPTION	BY	DATE		SL100 HS-7198

THIS PRINT IS PROVIDED ON A RESTRICTED BASIS AND IS NOT TO BE USED IN ANY WAY DETRIMENTAL TO THE INTEREST OF SUTPHEN CORPORATION.