

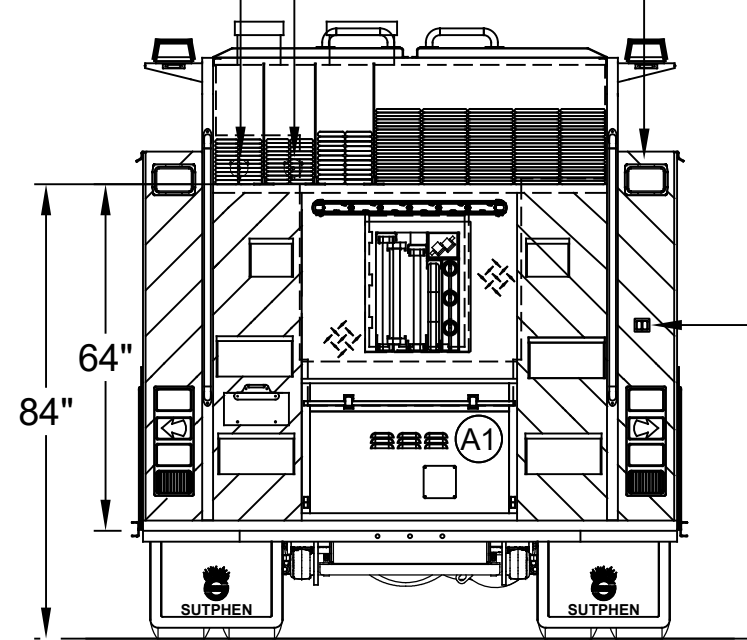
(2) 2.5" HOSEBED PRE-CONNECTS

FR SPECTRA900 12V LED SCENE LIGHT

HOSEBED
200' OF 2.5"
200' OF 2.5"
200' OF 3"
1,000' OF 5"

LADDER CHUTE
(1) 24' 2-SEC
(1) 14' ROOF
(1) 10' FOLDING
(1) BACKBOARD STOR
(3) PIKE POLES STOR

HOSE BED ACTUATORS



64"

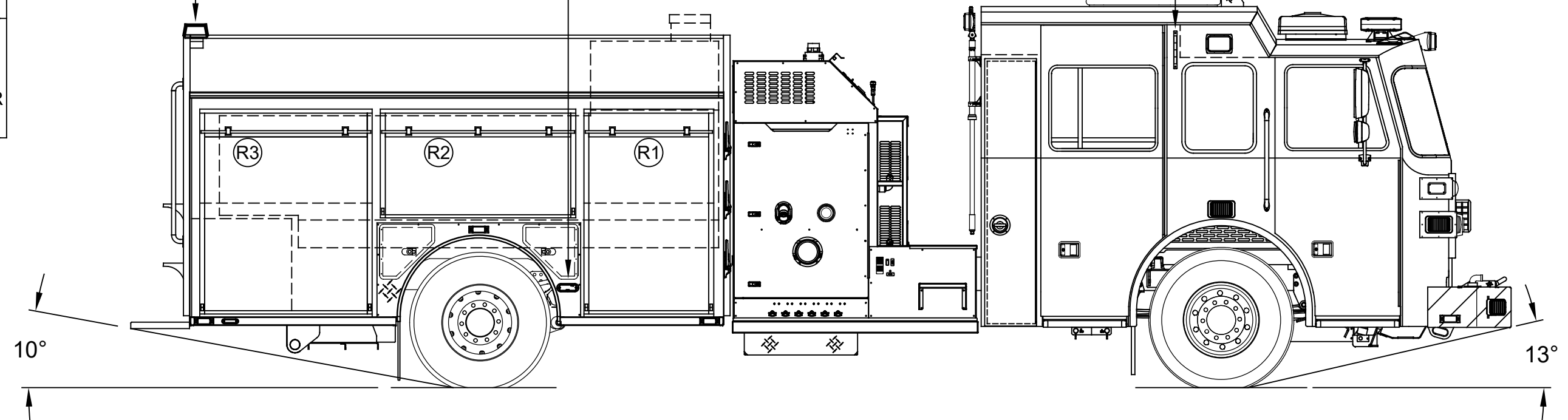
84"

WHELEN L31 REAR BEACONS

WHELEN 500 WARNING LIGHTS

RV A/C

WHELEN PSTANK WATER LEVEL GAUGE



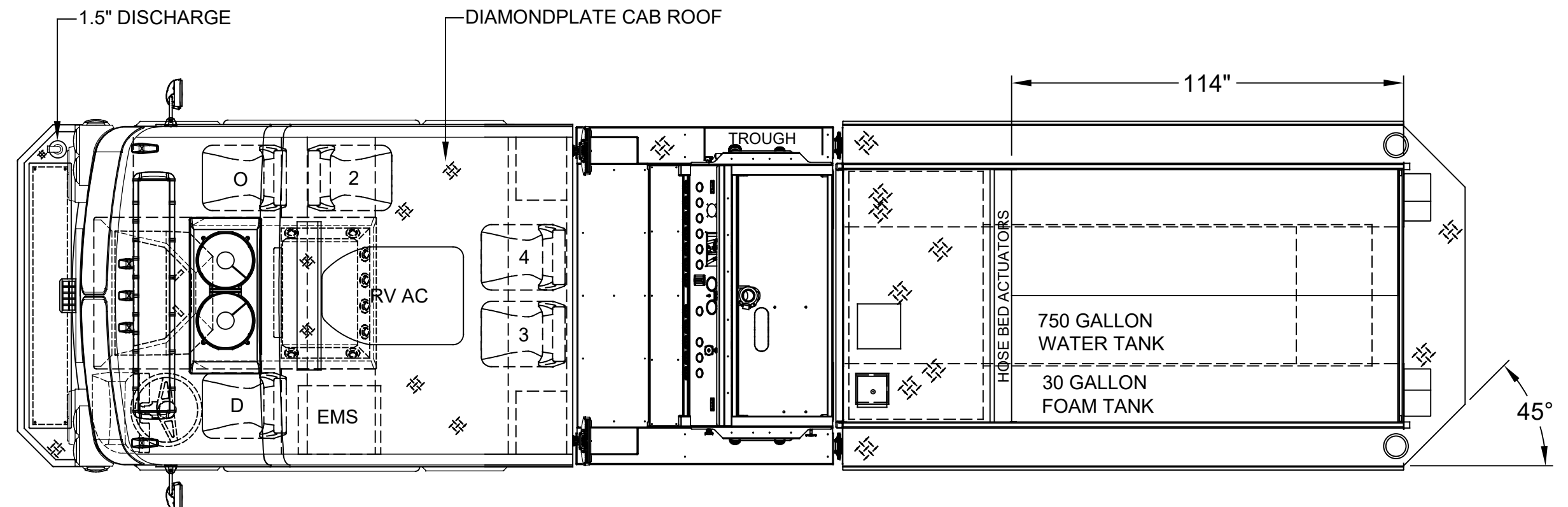
10°

13°

LEFT SIDE COMPARTMENTS				
COMPT	DOORS	OPENING DIMENSIONS	INSIDE DIMENSIONS	VOLUME
L1	ROLL-UP	37.5" w X 55.4" h	43.1" w X 66" h X 25.8" d	39.6 CU. FT. (7.5" h X 10.5" d UPPER)
L2	ROLL-UP	57.5" w X 26.2" h	61.6" w X 36.8" h X 25.8" d	29.8 CU. FT. (7.5" h X 10.5" d UPPER)
L3	ROLL-UP	50.5" w X 55.4" h	53.4" w X 66" h X 25.8" d	49.1 CU. FT. (7.5" h X 10.5" d UPPER)

RIGHT SIDE COMPARTMENTS				
COMPT	DOORS	OPENING DIMENSIONS	INSIDE DIMENSIONS	VOLUME
R1	ROLL-UP	37.5" w X 55.4" h	43.1" w X 66" h X 25.8" d	39.6 CU. FT. (7.5" h X 10.5" d UPPER)
R2	ROLL-UP	57.5" w X 26.2" h	61.6" w X 36.8" h X 25.8" d	29.8 CU. FT. (7.5" h X 10.5" d UPPER)
R3	ROLL-UP	50.5" w X 55.4" h	53.4" w X 66" h X 25.8" d	49.1 CU. FT. (7.5" h X 10.5" d UPPER)

REAR STEP COMPARTMENT				
COMPT	DOORS	OPENING DIMENSIONS	INSIDE DIMENSIONS	VOLUME
A1	ROLL-UP	40.5" w X 18.8" h	43" w X 28" h X 31" d	21.6 CU. FT.
TOTAL:				258.5 CU.FT.



1.5" DISCHARGE

DIAMONDPLATE CAB ROOF

114"

750 GALLON WATER TANK
30 GALLON FOAM TANK

45°

FRC SPECTRA 12V LED BROW LIGHT

OPTICOM MOUNTED IN LIGHTBAR

WHELEN FREEDOM IV (12) LED LIGHT BAR

TWO TONE CAB
PAINT BREAK OPTION #5
GRAY OVER RED

(2) GROVER 2040 AIR HORNS

WHELEN 600 LEDS

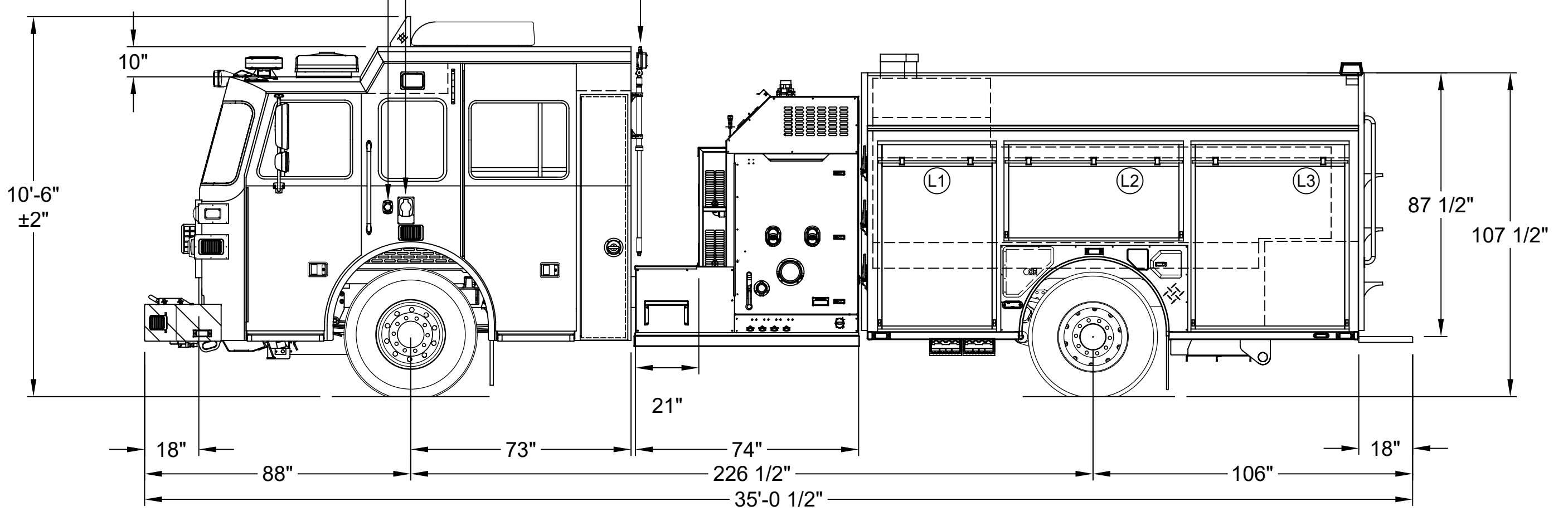
SIREN SPEAKER

FEDERAL Q2B SIREN

120V SHORELINE W/20A AUTO EJECT

120V SHORELINE W/30A AUTO EJECT

FRC SPECTRA 12V TELE LIGHTS



10'-6" ±2"

10"

87 1/2"

107 1/2"

18"

88"

73"

21"

74"

226 1/2"

35'-0 1/2"

106"

18"

DIMENSIONS SHOWN ON THIS DRAWING ARE APPROXIMATE AND ARE SUBJECT TO MINOR DEVIATIONS DURING CONSTRUCTION.

IN THE EVENT OF A DISCREPANCY BETWEEN THE SUTPHEN SPECIFICATIONS AND DRAWING, THE SUTPHEN SPECIFICATIONS SHALL PREVAIL.

DRAWING IS FOR REFERENCE ONLY. SOME ITEMS PROPOSED MAY NOT BE SHOWN OR NOTED.

CUSTOMER APPROVAL

NAME: _____

TITLE: _____

DATE: _____

REV.	DESCRIPTION	BY	DATE
K	ADDED CLAR NOTES FOR THE MOUNTING LOCATIONS FOR THE HOWLER SPEAKERS	KMG	02/21/2022
J	UPDATED THE THE RV A/C UNIT DESCRIPTION	KMG	12/06/2021
I	A COUPLE OF MINOR CORRECTIONS TO THE COMPT DIMS BLOCK ON DWG	RM	10/01/2021
H	ADDED HOSEBED ACTUATORS & CHANGED THE FOAM SYSTEM	KMG	09/24/2021

THIS PRINT IS PROVIDED ON A RESTRICTED BASIS AND IS NOT TO BE USED IN ANY WAY DETRIMENTAL TO THE INTEREST OF SUTPHEN CORPORATION.

DRAWN BY: K.GOON

DATE: 09/17/2020

MFG. FACILITY: DUBLIN

SUTPHEN

CITY OF WINTER HAVEN FIRE DEPARTMENT
WINTER HAVEN, FL

CUSTOM PUMPER - S9

DWG. NO.: HS-6906