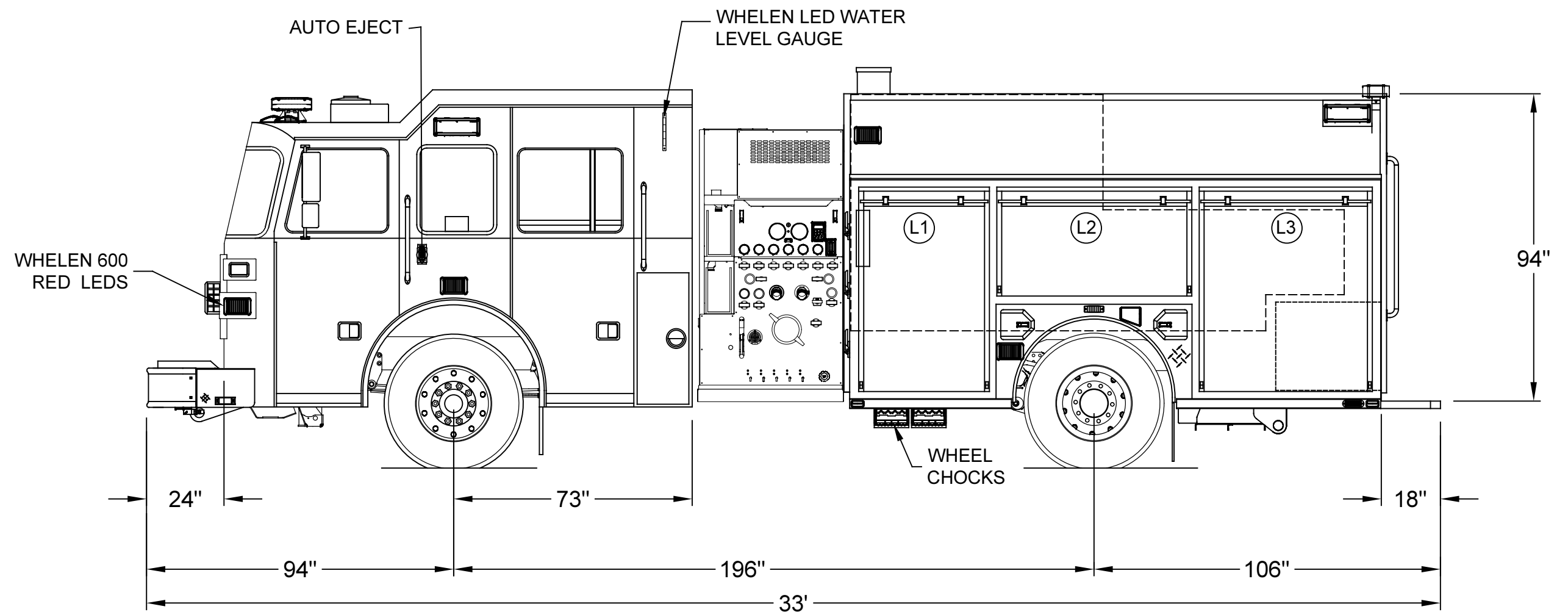
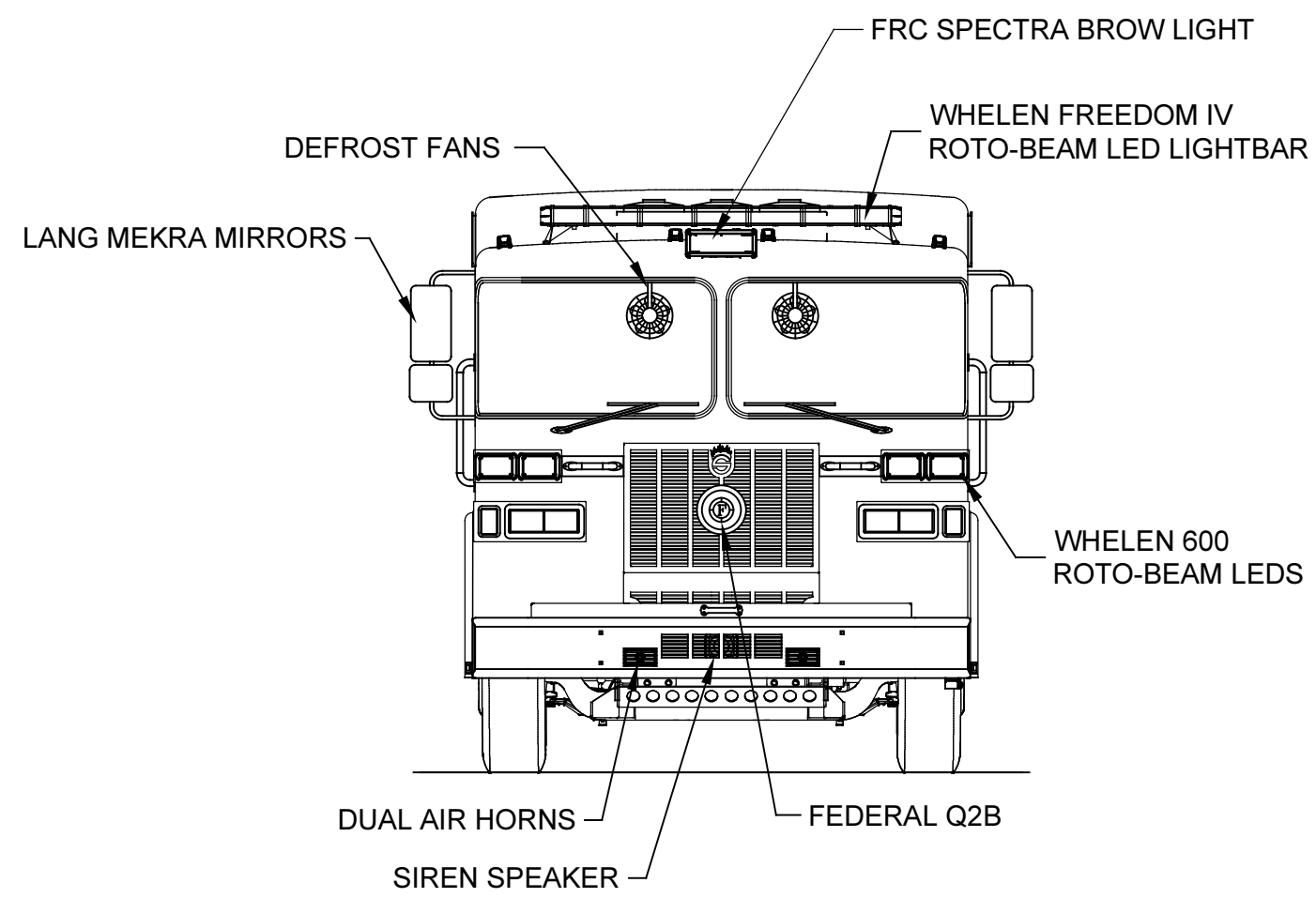
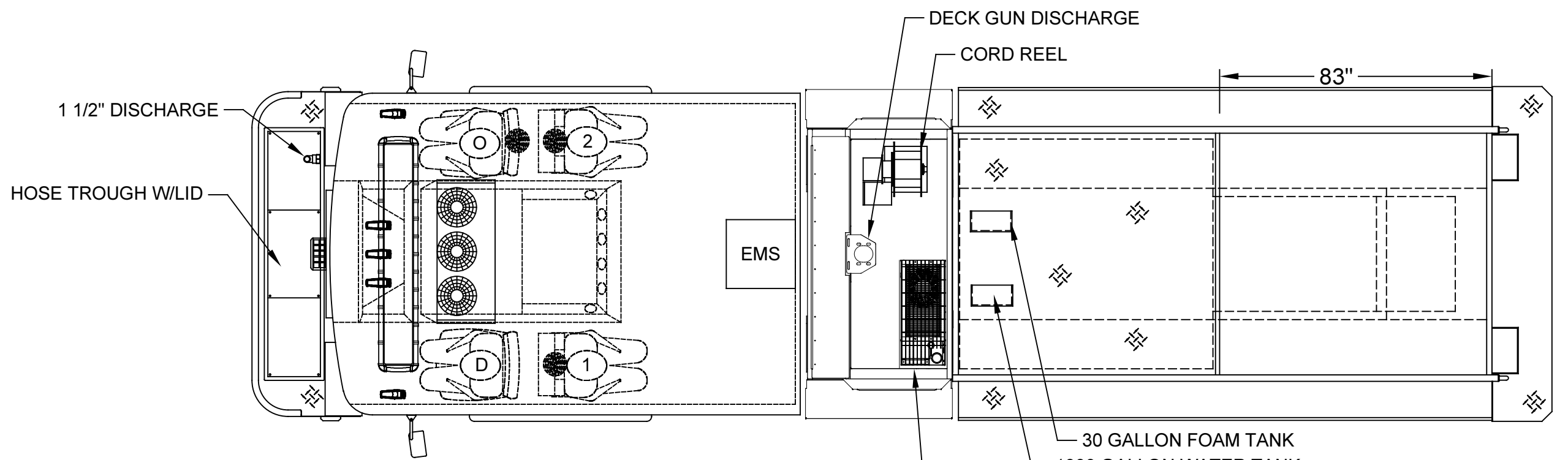


LEFT SIDE COMPARTMENTS				
COMPT	DOORS	OPENING DIMENSIONS	INSIDE DIMENSIONS	VOLUME
L1	ROLL-UP	33.5" W X 55.4" H	43.1" W X 66" H X 27.3" D	40.8 CU. FT. (10" H X 10.5" D UPPER)
L2	ROLL-UP	53.5" W X 26.2" H	61.6" W X 36.8" H X 27.3" D	29.8 CU. FT. (10" H X 10.5" D UPPER)
L3	ROLL-UP	46.5" W X 55.4" H	53.4" W X 66" H X 27.3" D	50.5 CU. FT. (10" H X 10.5" D UPPER)

RIGHT SIDE COMPARTMENTS				
COMPT	DOORS	OPENING DIMENSIONS	INSIDE DIMENSIONS	VOLUME
R1	ROLL-UP	33.5" W X 55.4" H	43.1" W X 66" H X 27.3" D	40.8 CU. FT. (10" H X 10.5" D UPPER)
R2	ROLL-UP	53.5" W X 26.2" H	61.6" W X 36.8" H X 27.3" D	29.8 CU. FT. (10" H X 10.5" D UPPER)
R3	ROLL-UP	46.5" W X 55.4" H	53.4" W X 66" H X 27.3" D	50.5 CU. FT. (10" H X 10.5" D UPPER)

REAR STEP COMPARTMENT				
COMPT	DOORS	OPENING DIMENSIONS	INSIDE DIMENSIONS	VOLUME
A1	ROLL-UP	36.5" W X 19" H	40" W X 27" H X 31" D	19.8 CU. FT.
				TOTAL: 262.0 CU. FT.



DIMENSIONS SHOWN ON THIS DRAWING ARE APPROXIMATE AND ARE SUBJECT TO MINOR DEVIATIONS DURING CONSTRUCTION.

IN THE EVENT OF A DISCREPANCY BETWEEN THE SUTPHEN SPECIFICATIONS AND DRAWING, THE SUTPHEN SPECIFICATIONS SHALL PREVAIL.

DRAWING IS FOR REFERENCE ONLY. SOME ITEMS PROPOSED MAY NOT BE SHOWN OR NOTED.

CUSTOMER APPROVAL

NAME: _____

TITLE: _____

DATE: _____

REV.	DESCRIPTION	BY	DATE
C	TIRE CHAINS AND HOSEBED DIVIDER	JM	04/18/18
B	CHANGE TO AMDOOR ROLL-UP	JM	01/11/18
A	REV-A SHOP ORDER	JM	12/21/17

THIS PRINT IS PROVIDED ON A RESTRICTED BASIS AND IS NOT TO BE USED IN ANY WAY DETRIMENTAL TO THE INTEREST OF SUTPHEN CORPORATION.

DRAWN BY: J.MORGAN

DATE: 07/31/17

MFG. FACILITY: DUBLIN

SUTPHEN

ST. ALBANS TWP FIRE DEPARTMENT
ALEXANDRIA, OH

CUSTOM PUMPER - S2 BODY

DWG. NO.: HS-6145