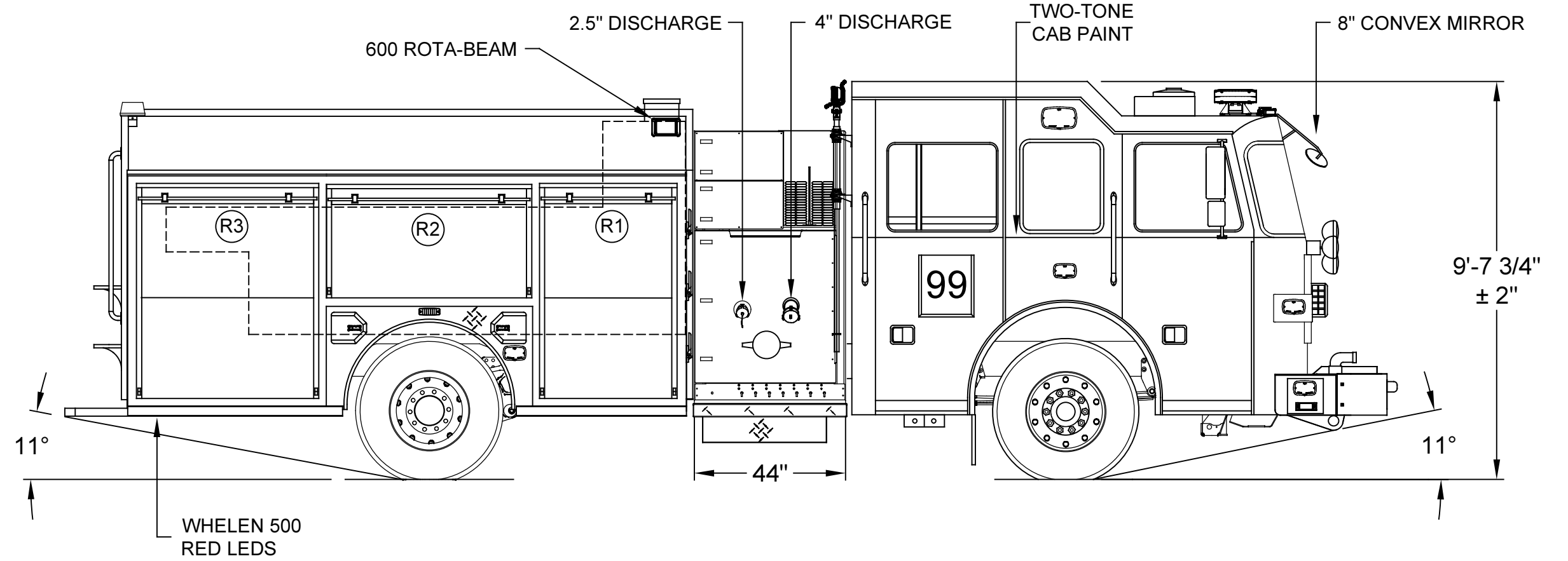


- LADDER CHUTE**
- (1) 24' 2-SECT
 - (1) 14' ROOF
 - (1) BACKBOARD STORAGE
 - (3) PIKE POLE TUBES
 - (1) 10' FOLDING

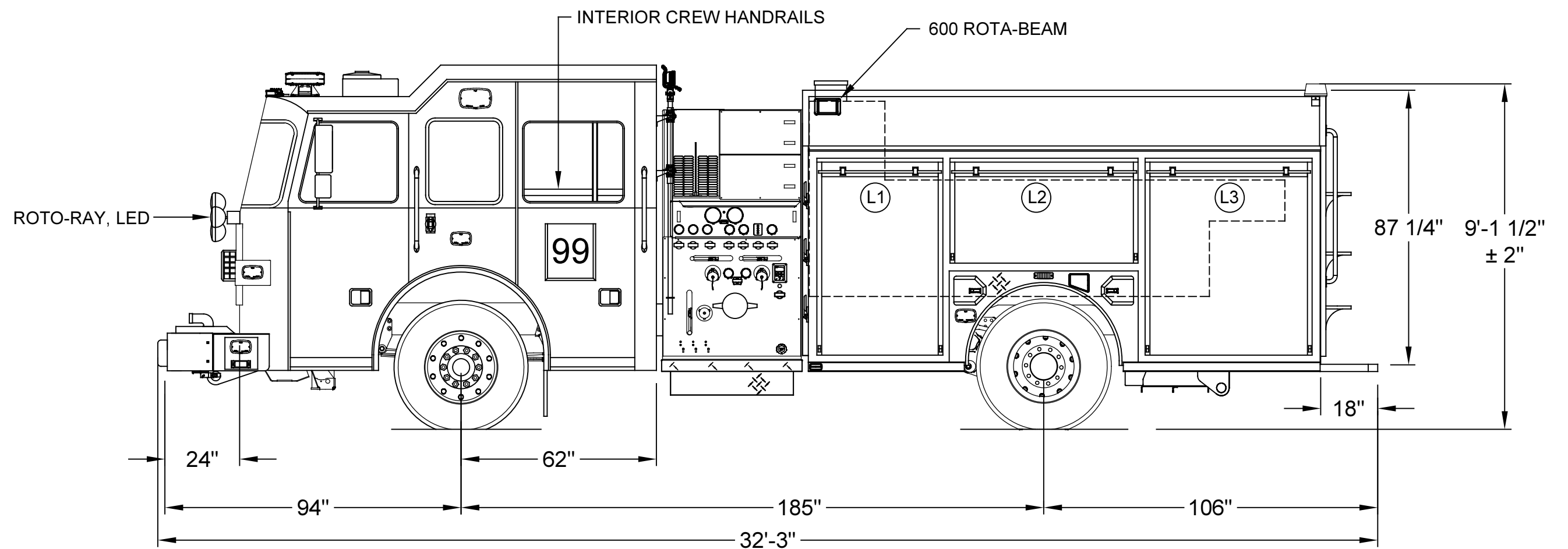
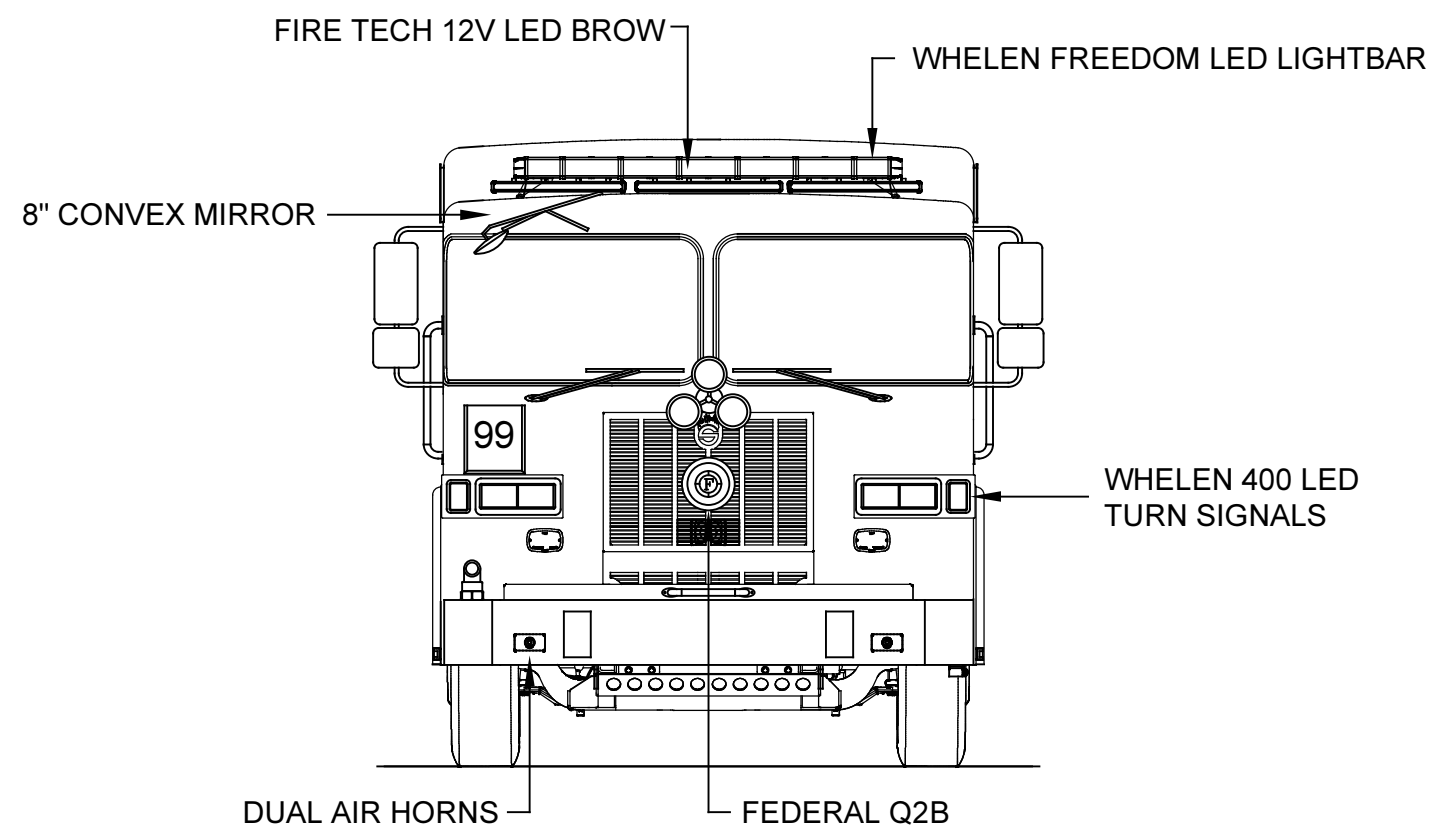
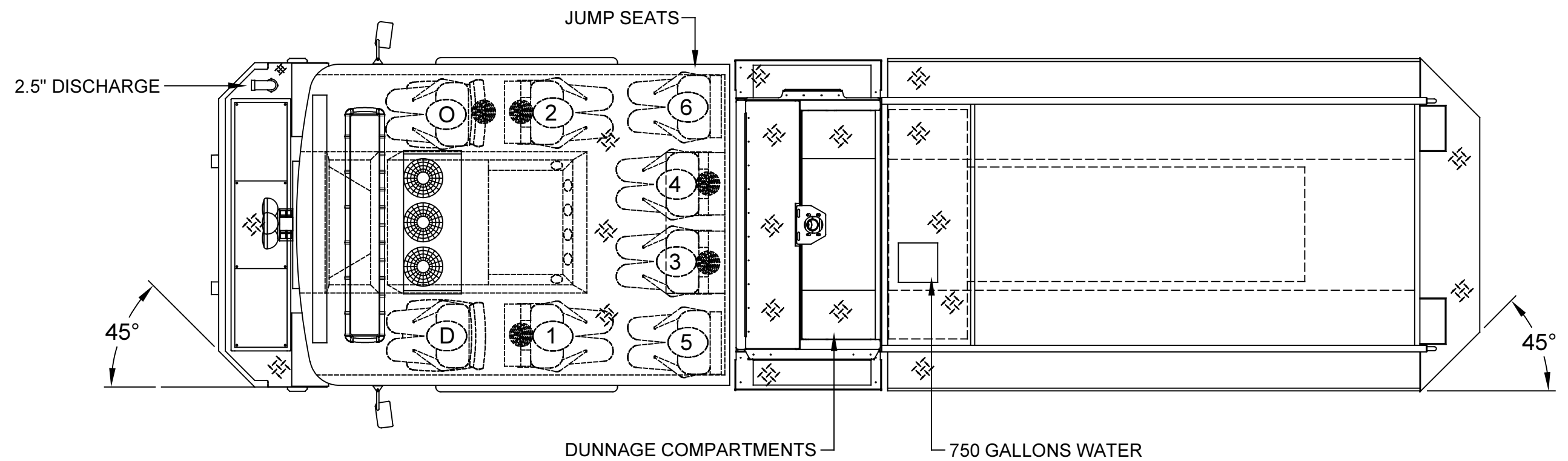


LEFT SIDE COMPARTMENTATION				
COMPT	DOORS	OPENING DIMENSIONS	INSIDE DIMENSIONS	VOLUME
L1	ROLL-UP	37" W X 56 7/8" H	43" W X 66" H X 27 1/4" D	42.2 CU. FT.
L2	ROLL-UP	57" W X 27 5/8" H	61 1/2" W X 36 1/2" H X 27 1/4" D	32.1 CU. FT.
L3	ROLL-UP	50" W X 56 7/8" H	53 1/2" W X 66" H X 27 1/4" D	52.5 CU. FT.
H1	LIFT-UP		162" L X 26" H X 21" W	51.1 CU. FT.

RIGHT SIDE COMPARTMENTATION				
COMPT	DOORS	OPENING DIMENSIONS	INSIDE DIMENSIONS	VOLUME
R1	ROLL-UP	37" W X 56 7/8" H	43" W X 66" H X 27 1/4" D (16" D UPPER)	33.7 CU. FT.
R2	ROLL-UP	57" W X 27 5/8" H	61 1/2" W X 36 1/2" H X 16" D	18.6 CU. FT.
R3	ROLL-UP	50" W X 56 7/8" H	53 1/2" W X 66" H X 27 1/4" D (16" D UPPER)	41.6 CU. FT.
H2	LIFT-UP		162" L X 26" H X 21" W	51.1 CU. FT.

REAR STEP COMPARTMENTS				
COMPT	DOORS	OPENING DIMENSIONS	INSIDE DIMENSIONS	VOLUME
A1	ROLL-UP	37 1/2" W X 31" H	40" H X 40" W X 30 1/2" D	27 CU. FT.

TOTAL STORAGE: 349.9 CU. FT.



DIMENSIONS SHOWN ON THIS DRAWING ARE APPROXIMATE AND ARE SUBJECT TO MINOR DEVIATIONS DURING CONSTRUCTION.

CUSTOMER APPROVAL

NAME: _____
 TITLE: _____
 DATE: _____

REV.	DESCRIPTION	BY	DATE
B	UPDATES FROM FINAL INSPECTION OF PREVIOUS UNITS	JM	12/05/17
A	REV-A SHOP ORDER	JM	11/09/2017

SUTPHEN CORPORATION
 FIRE APPARATUS - SINCE 1890
 6450 EITERMAN ROAD DUBLIN, OH 43016

DRAWN BY: JMORGAN
 DATE: 11/09/17
 DWG. NO.: HS-6112-13

CITY OF SAVANNAH
 SAVANNAH, GA
 CUSTOM PUMPER

THIS PRINT IS PROVIDED ON A RESTRICTED BASIS AND IS NOT TO BE USED IN ANY WAY DETRIMENTAL TO THE INTEREST OF SUTPHEN CORPORATION.

IN THE EVENT OF A DISCREPANCY BETWEEN THE SUTPHEN SPECIFICATIONS AND DRAWING, THE SUTPHEN SPECIFICATIONS SHALL PREVAIL.

DRAWING IS FOR REFERENCE ONLY. SOME ITEMS PROPOSED MAY NOT BE SHOWN OR NOTED.