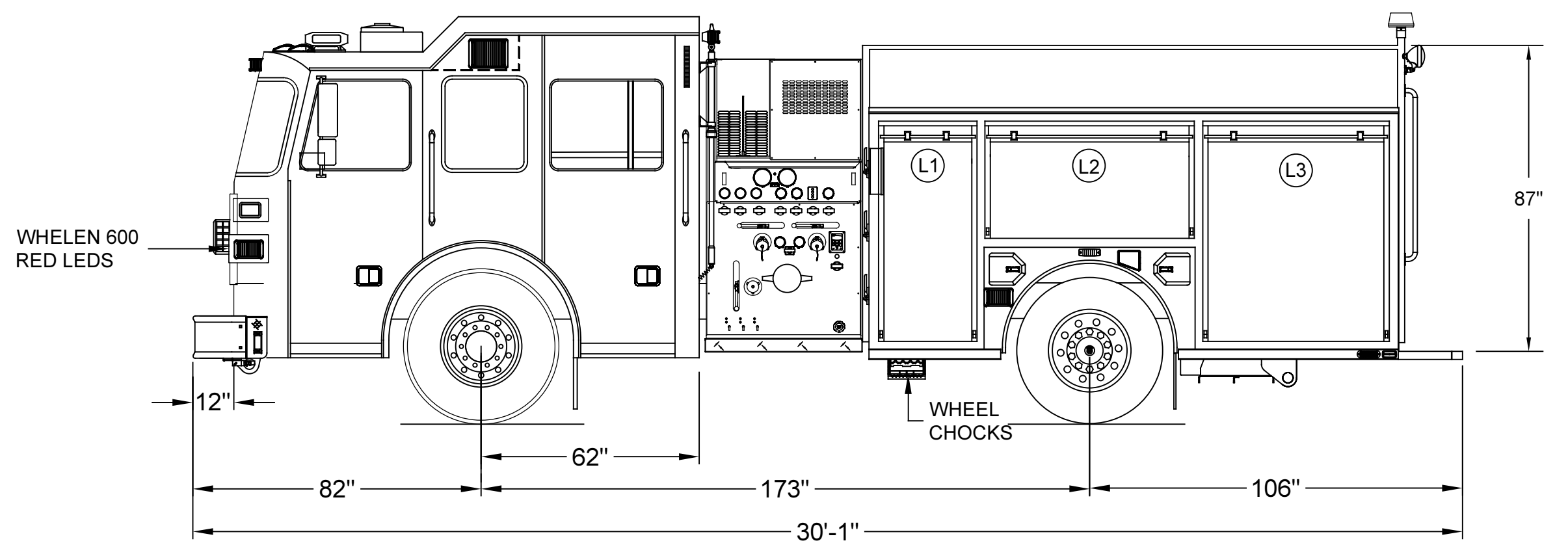
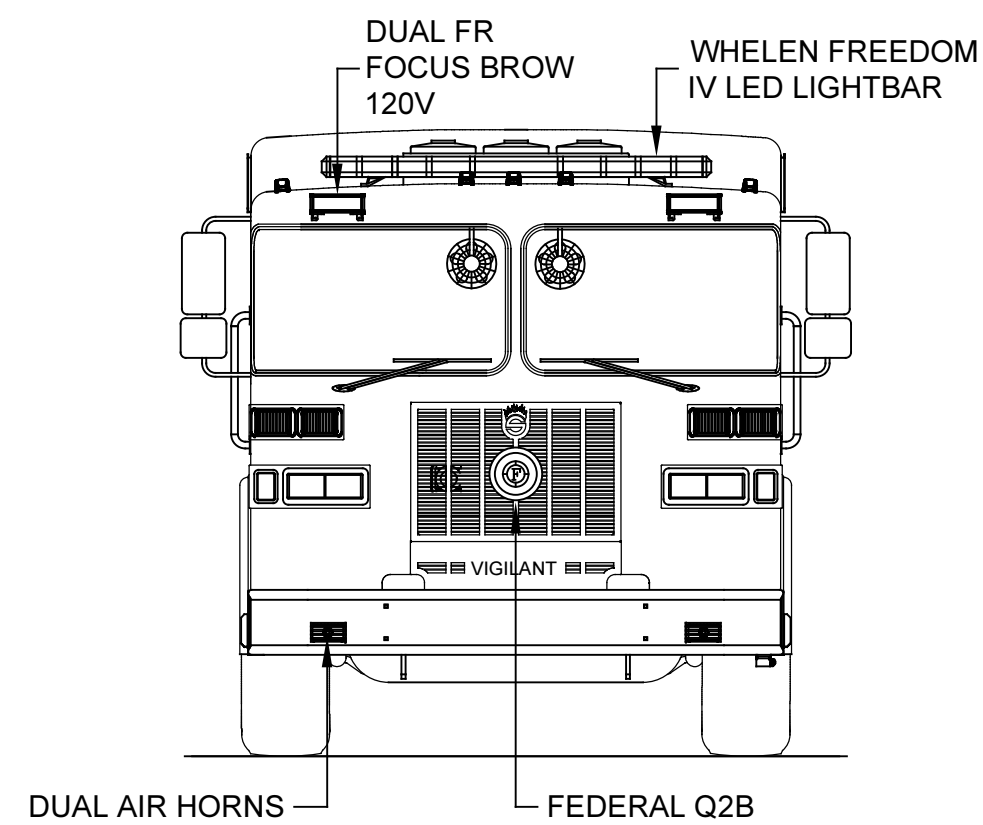
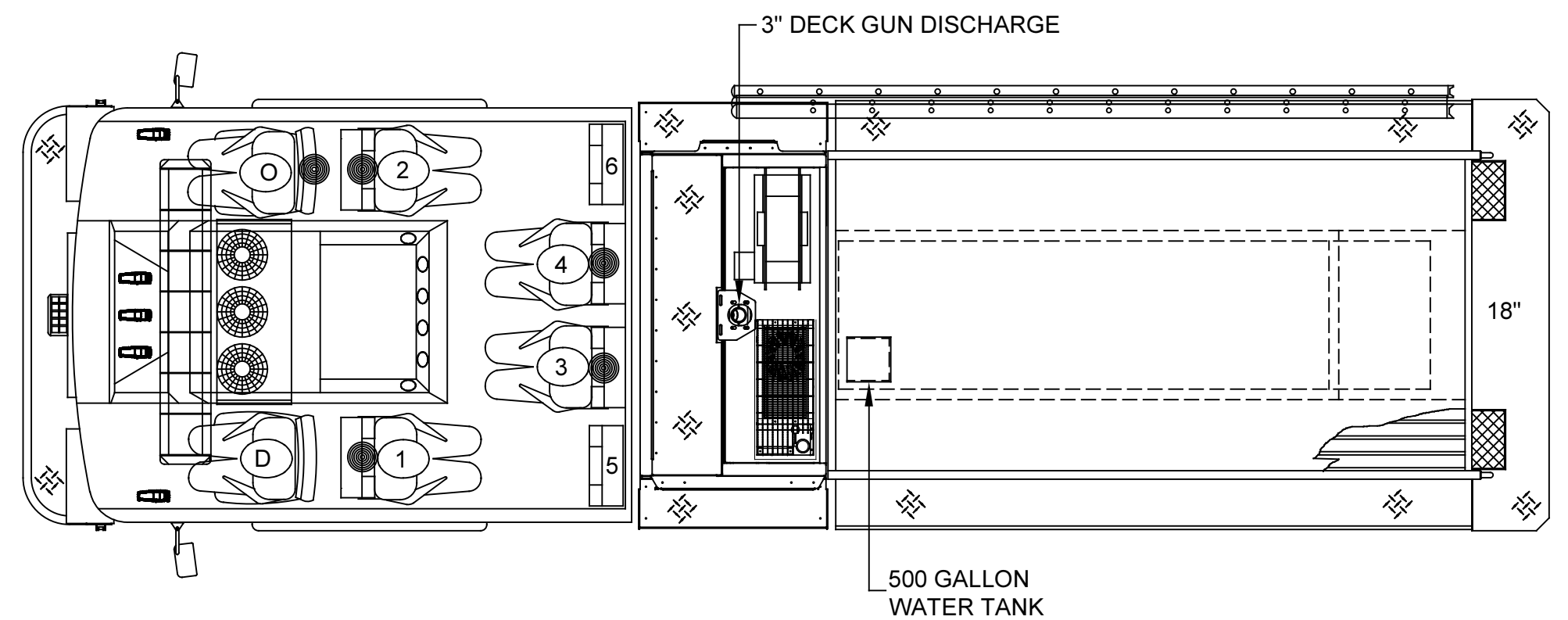


LEFT SIDE COMPARTMENTS				
COMPT	DOORS	OPENING DIMENSIONS	INSIDE DIMENSIONS	VOLUME
L1	ROLL-UP	25.5" w X 57.4" h	31.1" w X 66" h X 27.3" d	29.4 CU. FT. (10" h X 10.5" d UPPER)
L2	ROLL-UP	57.5" w X 28.2" h	61.6" w X 36.8" h X 27.3" d	29.8 CU. FT. (10" h X 10.5" d UPPER)
L3	ROLL-UP	50.5" w X 57.4" h	53.4" w X 66" h X 27.3" d	50.5 CU. FT. (10" h X 10.5" d UPPER)

RIGHT SIDE COMPARTMENTS				
COMPT	DOORS	OPENING DIMENSIONS	INSIDE DIMENSIONS	VOLUME
R1	ROLL-UP	25.5" w X 51.4" h	31.1" w X 60" h X 27.3" d	28.3 CU. FT. (4" h X 10.5" d UPPER)
R2	ROLL-UP	57.5" w X 22.2" h	61.6" w X 30.8" h X 27.3" d	27.6 CU. FT. (4" h X 10.5" d UPPER)
R3	ROLL-UP	50.5" w X 51.4" h	53.4" w X 60" h X 27.3" d	48.6 CU. FT. (4" h X 10.5" d UPPER)

REAR STEP COMPARTMENT				
COMPT	DOORS	OPENING DIMENSIONS	INSIDE DIMENSIONS	VOLUME
A1	ROLL-UP	37.5" w X 32.8" h	40" h X 40" w X 31" d	28.7 CU. FT.
<b>TOTAL:</b>				<b>242.9 CU.FT.</b>



DIMENSIONS SHOWN ON THIS DRAWING ARE APPROXIMATE AND ARE SUBJECT TO MINOR DEVIATIONS DURING CONSTRUCTION.

IN THE EVENT OF A DISCREPANCY BETWEEN THE SUTPHEN SPECIFICATIONS AND DRAWING, THE SUTPHEN SPECIFICATIONS SHALL PREVAIL.

DRAWING IS FOR REFERENCE ONLY. SOME ITEMS PROPOSED MAY NOT BE SHOWN OR NOTED.

**CUSTOMER APPROVAL**

NAME: \_\_\_\_\_

TITLE: \_\_\_\_\_

DATE: \_\_\_\_\_

REV.	DESCRIPTION	BY	DATE
B	REV-B.SHOP.ORDER	JM	12/12/17
A	REV-A.SHOP.ORDER	JM	10/27/17

THIS PRINT IS PROVIDED ON A RESTRICTED BASIS AND IS NOT TO BE USED IN ANY WAY DETRIMENTAL TO THE INTEREST OF SUTPHEN CORPORATION.

DRAWN BY: J.MORGAN

DATE: 08/08/17

MFG. FACILITY: DUBLIN

**SUTPHEN**

MARTINS FERRY, OH

CUSTOM PUMPER - S4 BODY

DWG. NO.: HS-6109