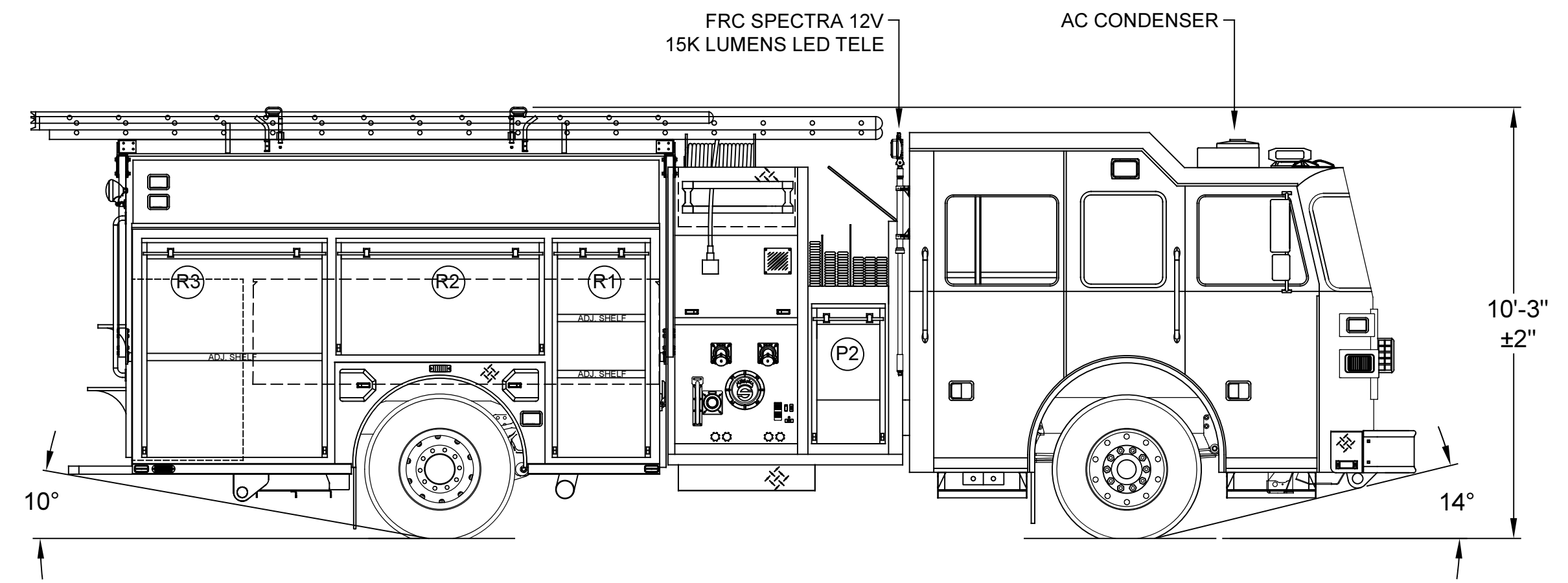


- LADDER RACK
- (1) 35' 2-SECT
  - (1) 24' 2-SECT
  - (1) 16' ROOF
  - (1) 10' ATTIC

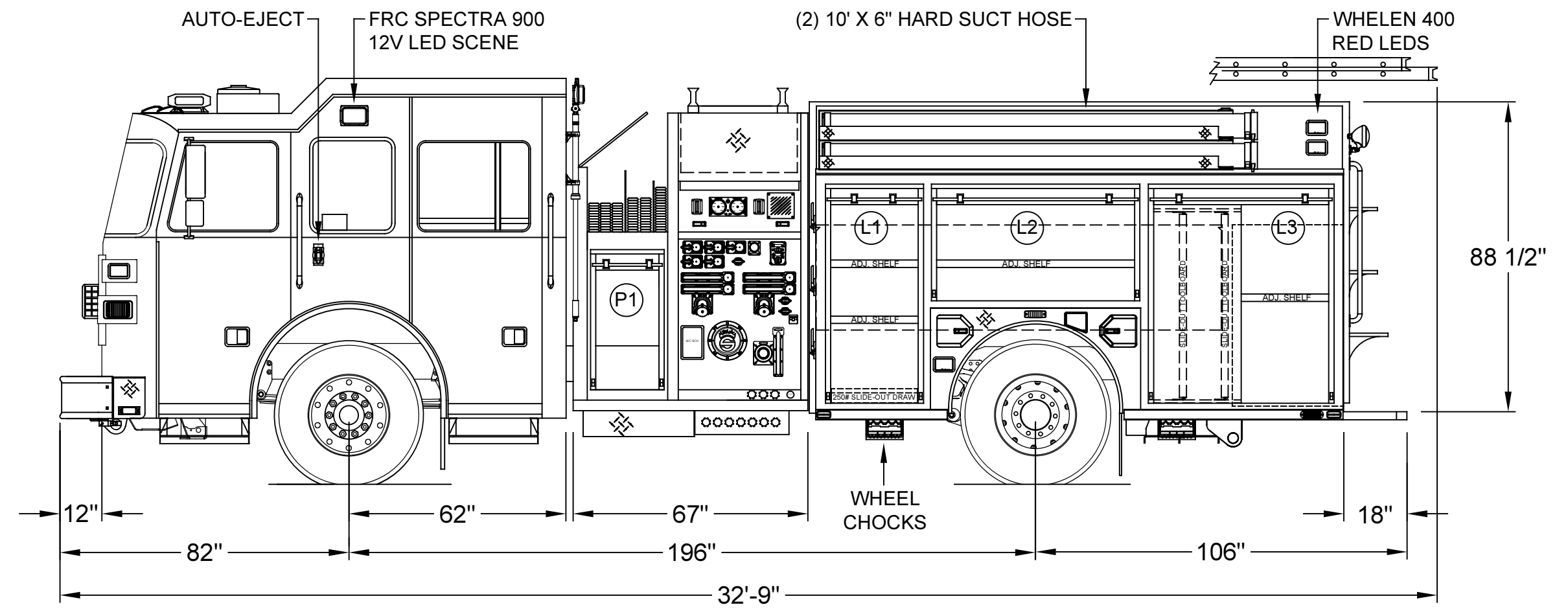
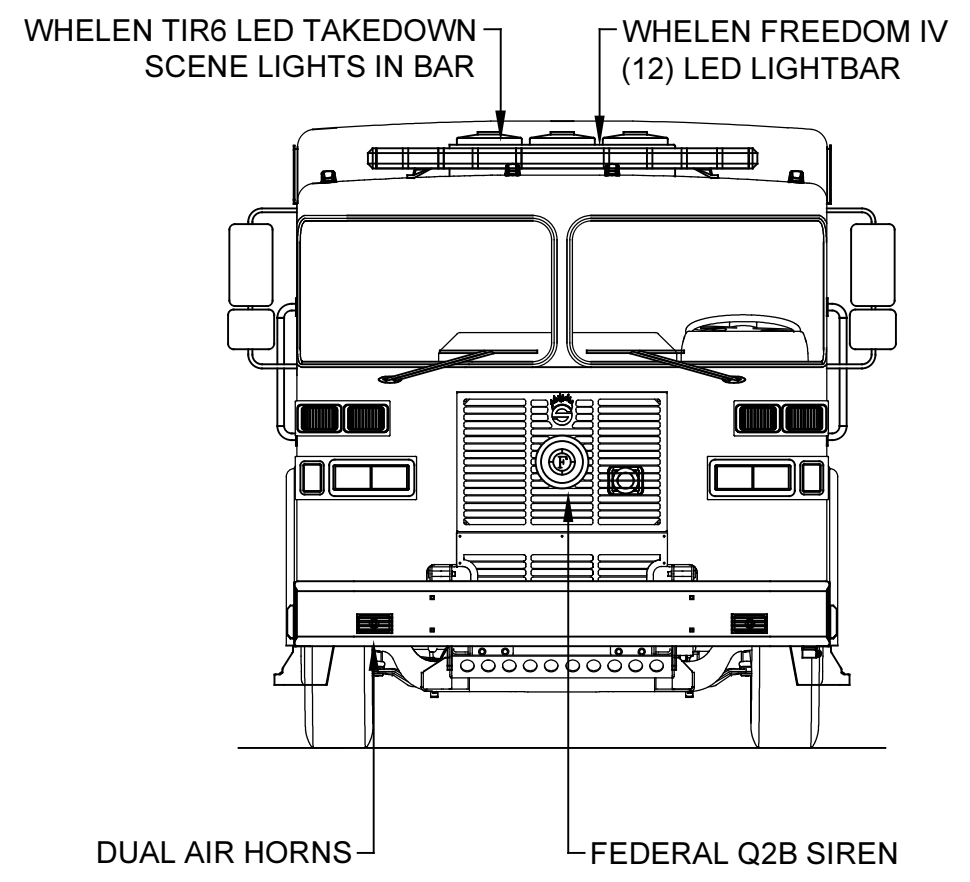
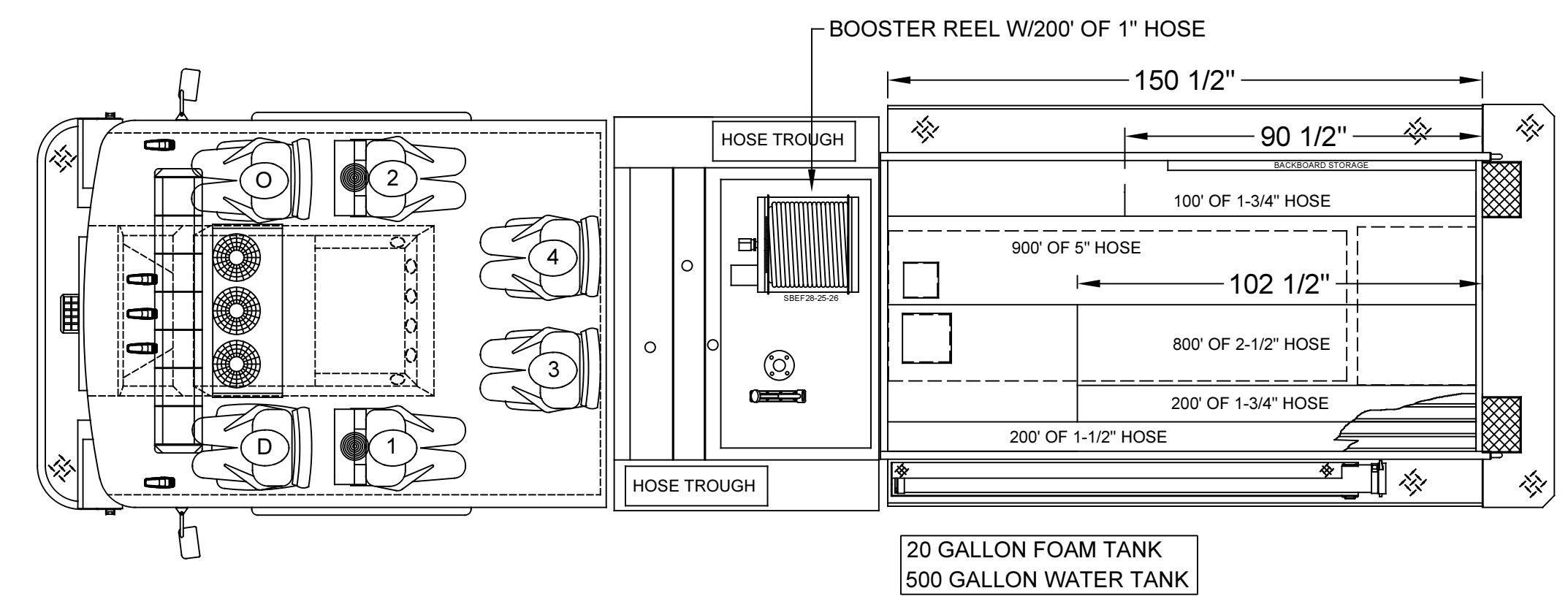


LEFT SIDE COMPARTMENTATION				
COMPT	DOORS	OPENING DIMENSIONS	INSIDE DIMENSIONS	VOLUME
L1	ROLL-UP	25" W X 56 7/8" H	30 1/2" W X 66" H X 27 1/4" D	31 CU. FT.
L2	ROLL-UP	57" W X 27 5/8" H	61 1/2" W X 36 1/2" H X 27 1/4" D	35 CU. FT.
L3	ROLL-UP	50" W X 56 7/8" H	56 1/2" W X 66" H X 27 1/4" D	58 CU. FT.
LEFT BODY FRAME:		P-C-1140 (LEFT)		

RIGHT SIDE COMPARTMENTATION				
COMPT	DOORS	OPENING DIMENSIONS	INSIDE DIMENSIONS	VOLUME
R1	ROLL-UP	25" W X 56 7/8" H	30 1/2" W X 66" H X 27 1/4" D	20 CU. FT.
R2	ROLL-UP	57" W X 27 5/8" H	61 1/2" W X 36 1/2" H X 12" D	15 CU. FT.
R3	ROLL-UP	50" W X 56 7/8" H	56 1/2" W X 66" H X 27 1/4" D	38 CU. FT.
RIGHT BODY FRAME:		P-C-1140 (RIGHT)		

REAR STEP COMPARTMENTS				
COMPT	DOORS	OPENING DIMENSIONS	INSIDE DIMENSIONS	VOLUME
A1	ROLL-UP	37 1/2" W X 40" H	49" H X 40" W X 30 1/2" D	34 CU. FT.

TOTAL STORAGE: 196 CU. FT.



DIMENSIONS SHOWN ON THIS DRAWING ARE APPROXIMATE AND ARE SUBJECT TO MINOR DEVIATIONS DURING CONSTRUCTION.

IN THE EVENT OF A DISCREPANCY BETWEEN THE SUTPHEN SPECIFICATIONS AND DRAWING, THE SUTPHEN SPECIFICATIONS SHALL PREVAIL.

DRAWING IS FOR REFERENCE ONLY. SOME ITEMS PROPOSED MAY NOT BE SHOWN OR NOTED.

**CUSTOMER APPROVAL**

NAME: \_\_\_\_\_

TITLE: \_\_\_\_\_

DATE: \_\_\_\_\_

REV.	DESCRIPTION	BY	DATE
F	POST PRODUCTION REVISION TO REFLECT FINAL PRODUCT	RM	04/05/18
E	IMPROVEMENTS TO DWG ; CLARIFIED DRAINS ; CHANGED CALL-OUTS FOR TRAFFIC ADVISOR MOUNTING	RM	02/20/18
D	MULTIPLE UPDATES AND CLARIFICATIONS ; SEE SHOP ORDER REVISION EMAIL OR COMPONENT REPORT	RM	02/02/18
C	SIDE RECEIVER CHANGED TO REAR RECEIVER ; ALL FIXED DIVIDERS IN HOSEBED	RM	11/08/17

THIS PRINT IS PROVIDED ON A RESTRICTED BASIS AND IS NOT TO BE USED IN ANY WAY DETRIMENTAL TO THE INTEREST OF SUTPHEN CORPORATION.

DRAWN BY:	R. MILLER
DATE:	05/15/17
MFG. FACILITY:	DUBLIN

**SUTPHEN**

PETALUMA FIRE DEPARTMENT  
PETALUMA, CA

CUSTOM PUMPER - MODIFIED PA-01 BODY

DWG. NO.: HS-6091