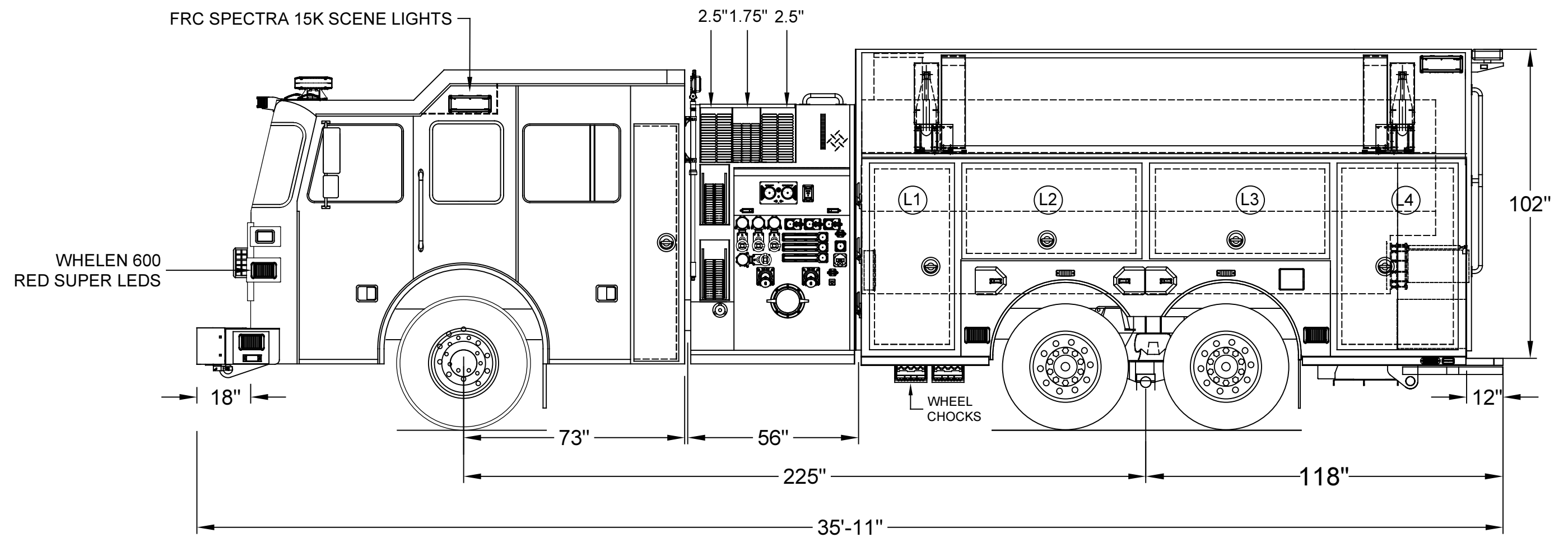
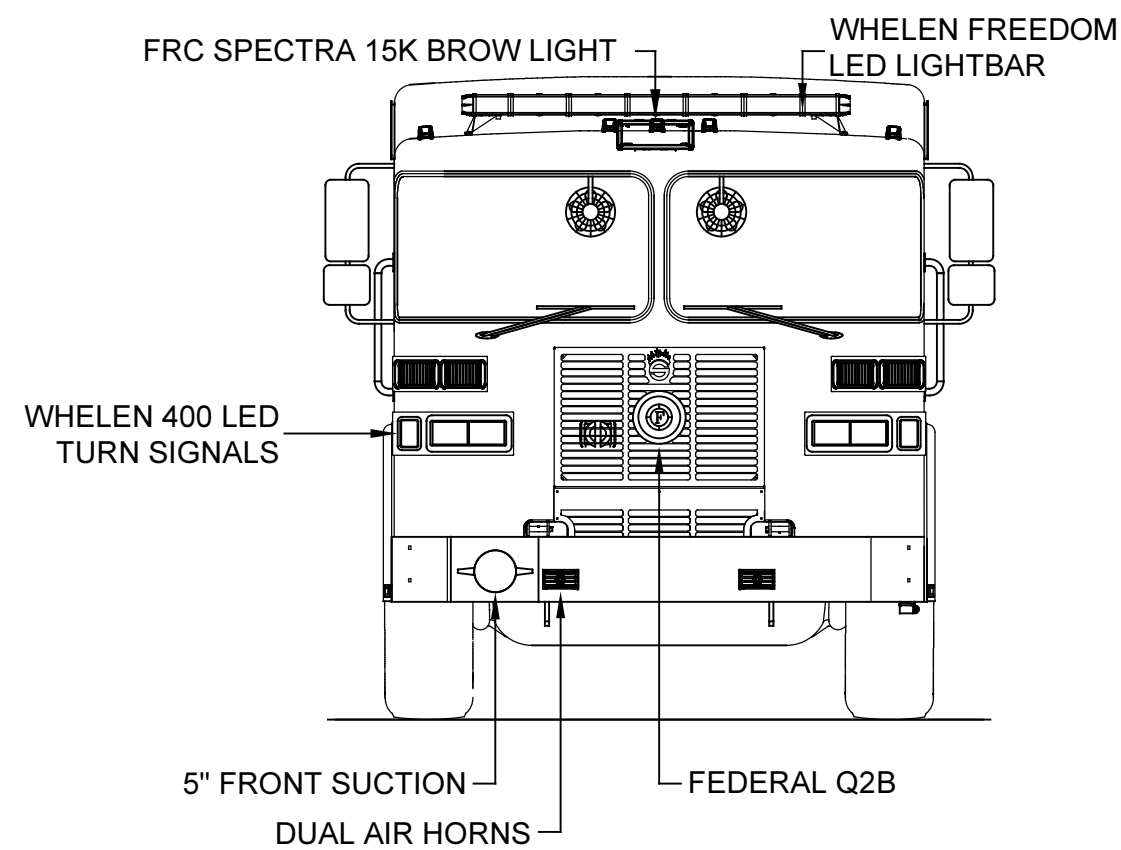
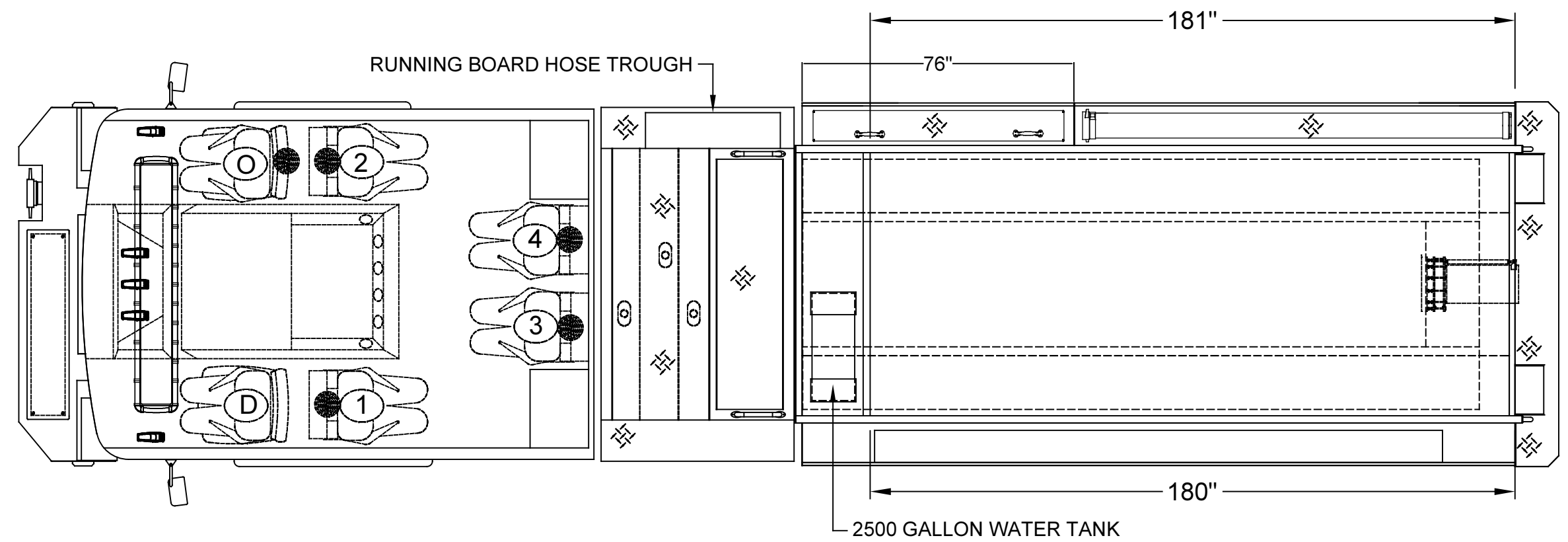


RIGHT SIDE COMPARTMENTS				
COMPT	DOORS	OPENING DIMENSIONS	INSIDE DIMENSIONS	VOLUME
R1	HINGED	23.5" w X 64" h	30" w X 66" h X 27 1/4" d (10.5" d upper)	22 CU. FT.
R2	HINGED	56.5" w X 31.5" h	60.5" w X 36.75" h X 10.5" d	12 CU. FT.
R3	HINGED	56.5" w X 31.5" h	60.5" w X 36.75" h X 10.5" d	12 CU. FT.
R4	HINGED	48.5" w X 64" h	53" w X 66" h X 27.25" d (10.5" d upper)	28 CU. FT.

LEFT SIDE COMPARTMENTS				
COMPT	DOORS	OPENING DIMENSIONS	INSIDE DIMENSIONS	VOLUME
L1	HINGED	23.5" w X 56" h	30" w X 60" h X 27.25" d (10.5" d upper)	20 CU. FT.
L2	HINGED	56.5" w X 25.5" h	60.5" w X 30.75" h X 10.5" d	10 CU. FT.
L3	HINGED	56.5" w X 25.5" h	60.5" w X 30.75" h X 10.5" d	10 CU. FT.
L4	HINGED	48.5" w X 56" h	53" w X 60" h X 27.25" d (10.5" d upper)	26 CU. FT.

REAR STEP COMPARTMENTS				
COMPT	DOORS	OPENING DIMENSIONS	INSIDE DIMENSIONS	VOLUME
A1	FOLD-DOWN	37" w X 13" h	40" w X 16" h X 20" d	7 CU. FT.
<b>TOTAL:</b>				<b>147 CU. FT.</b>



THE INFORMATION PRESENTED ON THIS DOCUMENTS IS TO BE USED FOR ILLUSTRATIVE PURPOSES ONLY AND IT MAY NOT REFLECT, AESTHETICALLY OR OTHERWISE, PAST OR PRESENT MANUFACTURED PRODUCTS. SUTPHEN CORPORATION RESERVES THE RIGHT TO MAKE CHANGES IN THE DESIGN OF OUR PRODUCTS AT ANY TIME, WITHOUT NOTIFICATION. DIMENSIONS AND ITEM LOCATIONS ARE APPROXIMATE.

CUSTOMER APPROVAL

NAME: \_\_\_\_\_

TITLE: \_\_\_\_\_

DATE: \_\_\_\_\_

REV.	DESCRIPTION	BY	DATE
E	DRAWING UPDATES AND MID INSPECTION CHANGES	JM	04/18/18

THIS PRINT IS PROVIDED ON A RESTRICTED BASIS AND IS NOT TO BE USED IN ANY WAY DETRIMENTAL TO THE INTEREST OF SUTPHEN CORPORATION.



DRAWN BY: JMORGAN	RURAL RIDGE VOL. FIRE CO. RURAL RIDGE, PA	DWG. NO.: HS-6002
DATE: 05/12/17	TA-03	