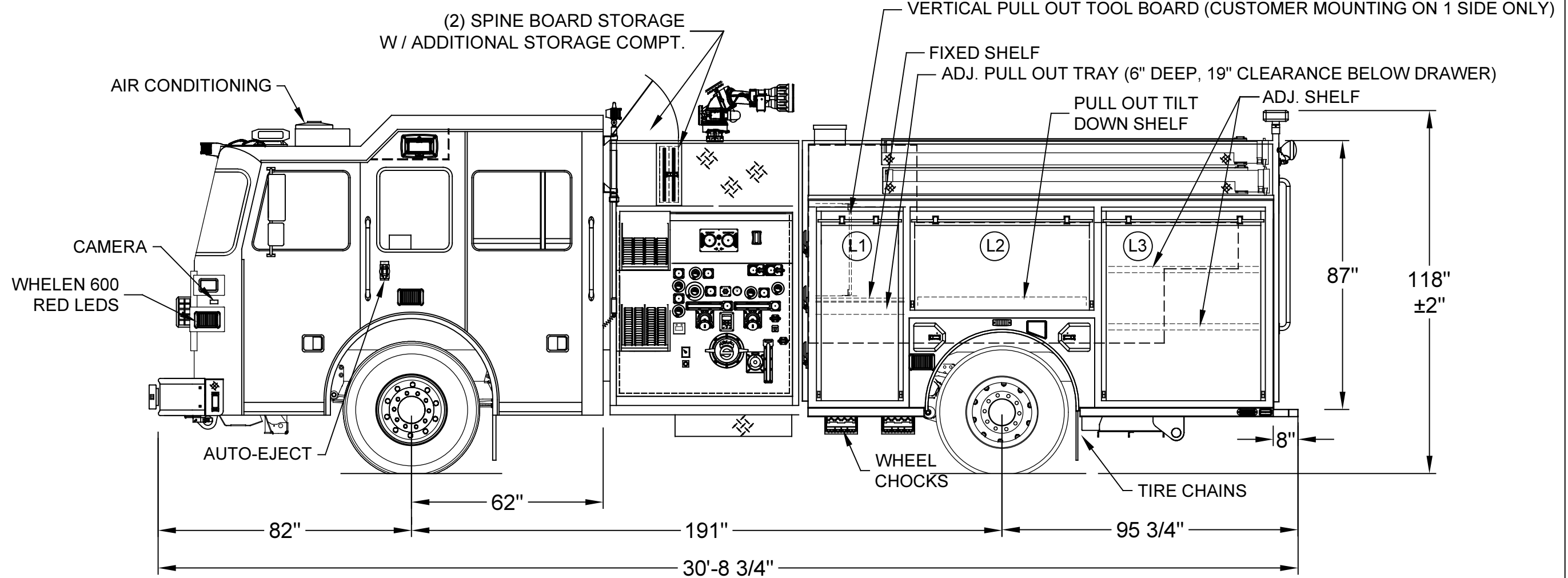
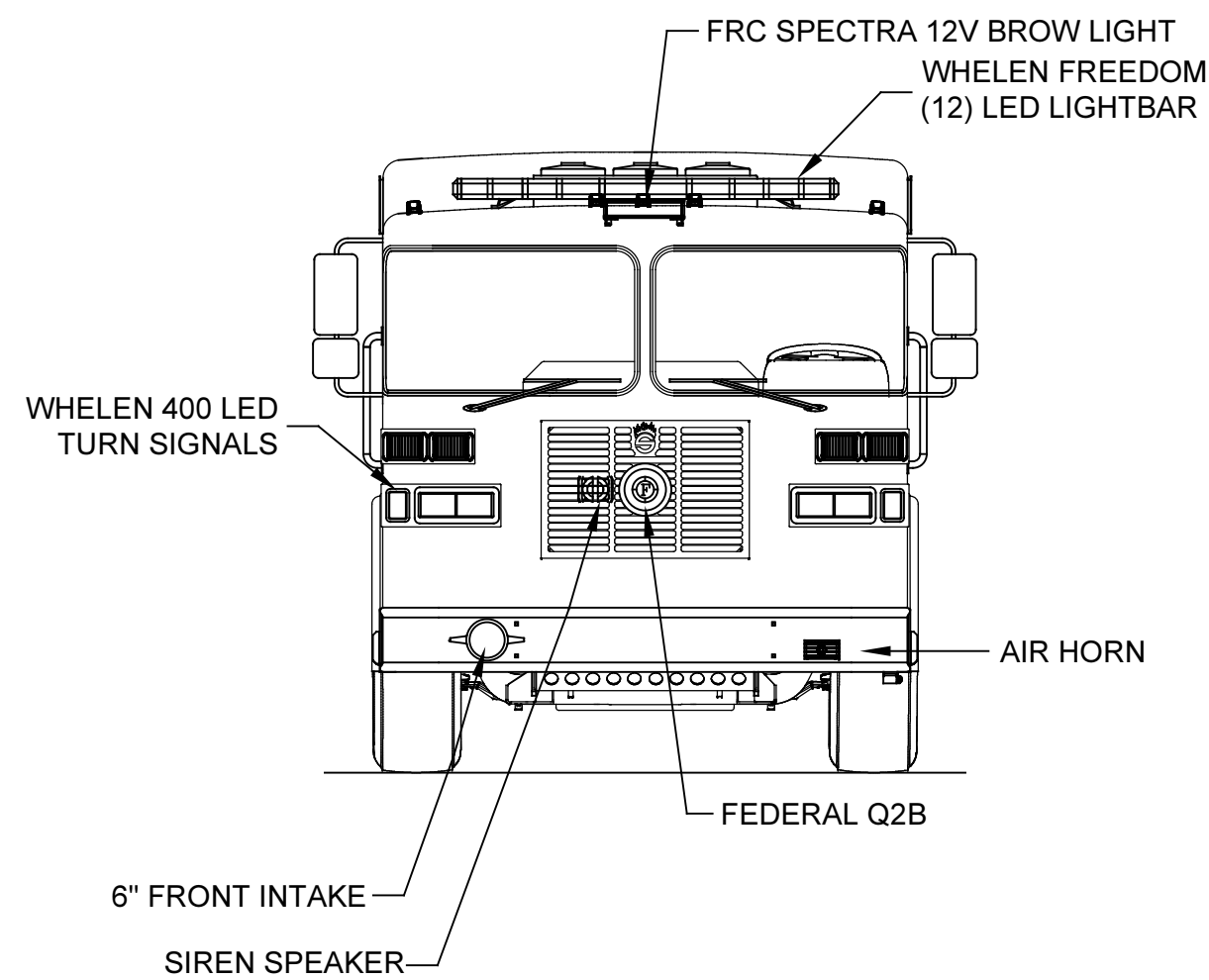
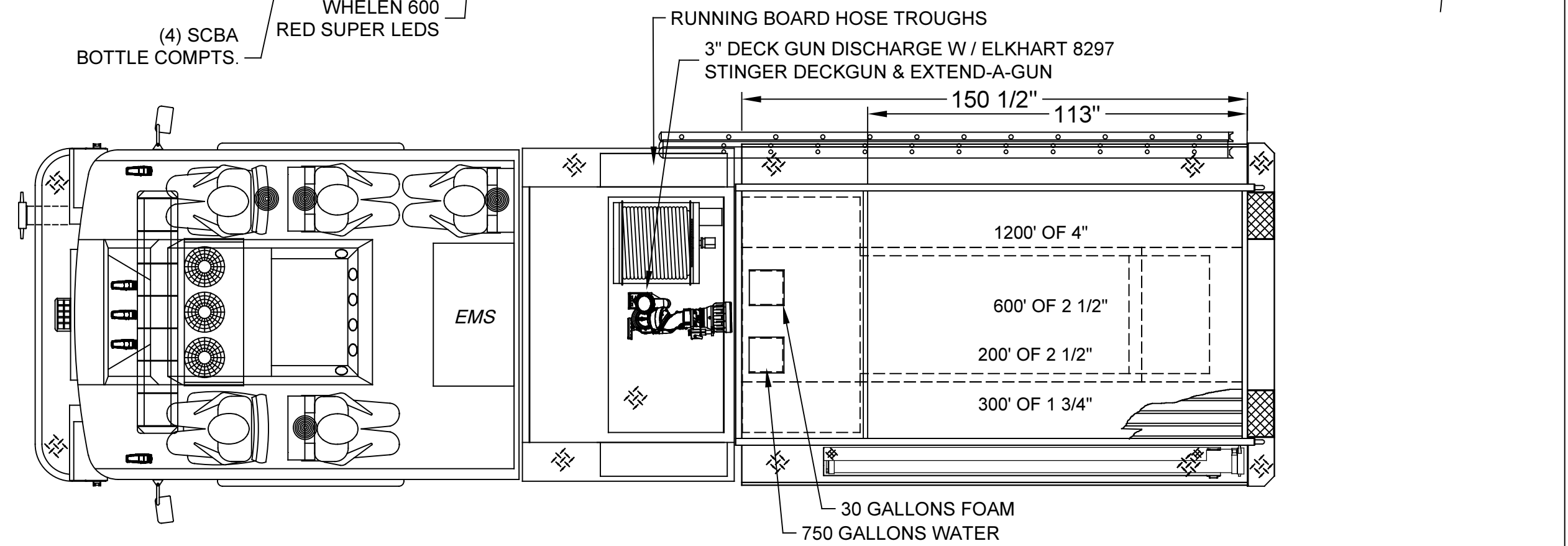


LEFT SIDE COMPARTMENTS				
COMPT	DOORS	OPENING DIMENSIONS	INSIDE DIMENSIONS	VOLUME
L1	ROLL-UP	25" w X 56 7/8" h	31" w X 66" h X 27 1/4" d	32 CU. FT.
L2	ROLL-UP	57" w X 27 5/8" h	61 1/2" w X 36 3/4" h X 27 1/4" d	35 CU. FT.
L3	ROLL-UP	50" w X 56 7/8" h	53 1/2" w X 66" h X 27 1/4" d	55 CU. FT.

RIGHT SIDE COMPARTMENTS				
COMPT	DOORS	OPENING DIMENSIONS	INSIDE DIMENSIONS	VOLUME
R1	ROLL-UP	25" w X 50 7/8" h	31" w X 60" h X 27 1/4" d	29 CU. FT.
R2	ROLL-UP	57" w X 21 5/8" h	61 1/2" w X 30 3/4" h X 27 1/4" d	29 CU. FT.
R3	ROLL-UP	50" w X 50 7/8" h	53 1/2" w X 60" h X 27 1/4" d	50 CU. FT.

REAR STEP COMPARTMENT				
COMPT	DOORS	OPENING DIMENSIONS	INSIDE DIMENSIONS	VOLUME
A1	ROLL-UP	37 1/2" w X 31" h	40" h X 40" w X 30" d	27 CU. FT.

TOTAL: 257 CU.FT.



DIMENSIONS SHOWN ON THIS DRAWING ARE APPROXIMATE AND ARE SUBJECT TO MINOR DEVIATIONS DURING CONSTRUCTION.

IN THE EVENT OF A DISCREPANCY BETWEEN THE SUTPHEN SPECIFICATIONS AND DRAWING, THE SUTPHEN SPECIFICATIONS SHALL PREVAIL.

DRAWING IS FOR REFERENCE ONLY. SOME ITEMS PROPOSED MAY NOT BE SHOWN OR NOTED.

CUSTOMER APPROVAL

NAME: _____

TITLE: _____

DATE: _____

REV.	DESCRIPTION	BY	DATE
B	AS.BUILT	JM	01/23/18
A	REV-A SHOP ORDER	JM	06/01/17

THIS PRINT IS PROVIDED ON A RESTRICTED BASIS AND IS NOT TO BE USED IN ANY WAY DETRIMENTAL TO THE INTEREST OF SUTPHEN CORPORATION.

DRAWN BY: JMORGAN

DATE: 11/24/16

MFG. FACILITY: DUBLIN

SUTPHEN

KARNS VFD
KNOXVILLE, TN

CUSTOM PUMPER - PA-01 BODY

DWG. NO.: HS-5982