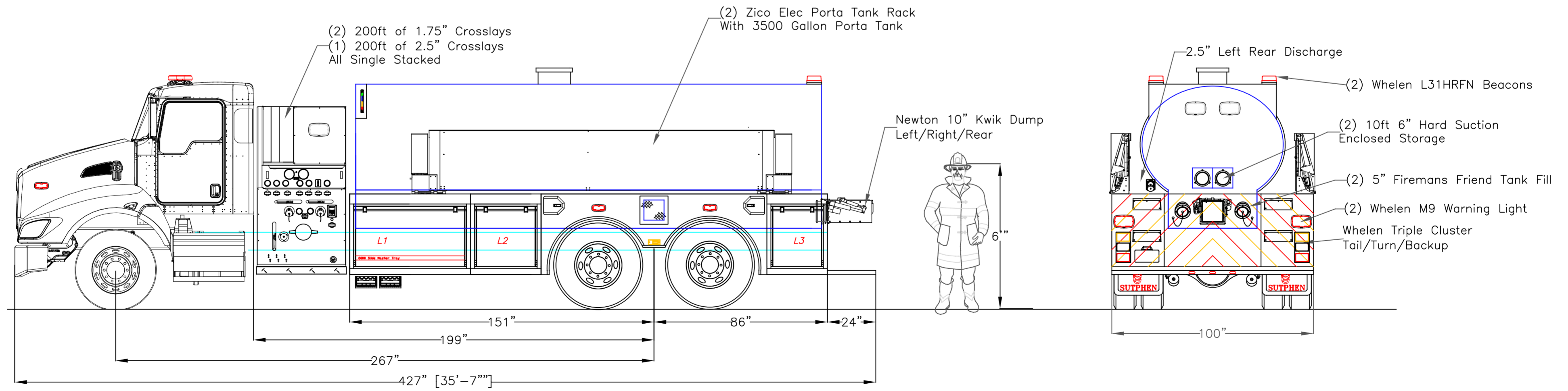


Left Side Compartmentation				
Compt	Doors	Opening Dimensions	Inside Dimensions	Volume
WxHxD				
L1	Roll Up	53x26	60x36x24.25	30.3 CU FT
L2	Roll Up	28x26	35x36x24.25	17.7 CU FT
L3	Roll Up	23x26	30x36x24.25	15.2 CU FT
Right Side Compartmentation				
Compt	Doors	Opening Dimensions	Inside Dimensions	Volume
WxHxD				
R1	Roll Up	53x26	60x36x24.25	30.3 CU FT
R2	Roll Up	28x26	35x36x24.25	17.7 CU FT
R3	Roll Up	23x26	30x36x24.25	15.2 CU FT
Total Volume				126.3 CU Ft

Hale Qflo 1250 single stage
Water Tank Capacity 3500 gal

Total Volume	126.3 CU Ft
--------------	-------------



DIMENSIONS SHOWN ON THIS DRAWING ARE APPROXIMATE AND ARE SUBJECT TO MINOR DEVIATIONS DURING CONSTRUCTION.	CUSTOMER APPROVAL				DRAWN BY: J. Gordon	DATE: 10/26/2016	MFG. FACILITY: SUTPHEN EAST WHITE LAKE, NY	DWG. NO.:	SUTPHEN EAST P.O. Box 16, 30 Sutphen Place WHITE LAKE, NY 12786 845-583-4720 Ohio City Fire Dept. Ohio City, OH Commercial Elliptical Tanker
	IN THE EVENT OF A DISCREPANCY BETWEEN THE SUTPHEN SPECIFICATIONS AND DRAWING, THE SUTPHEN SPECIFICATIONS SHALL PREVAIL.	NAME: _____	TITLE: _____	DATE: _____					
DRAWING IS FOR REFERENCE ONLY. SOME ITEMS PROPOSED MAY NOT BE SHOWN OR NOTED.	Updates from SQS JVG 02/23/2017				THIS PRINT IS PROVIDED ON A RESTRICTED BASIS AND IS NOT TO BE USED IN ANY WAY DETRIMENTAL TO THE INTEREST OF SUTPHEN CORPORATION.				