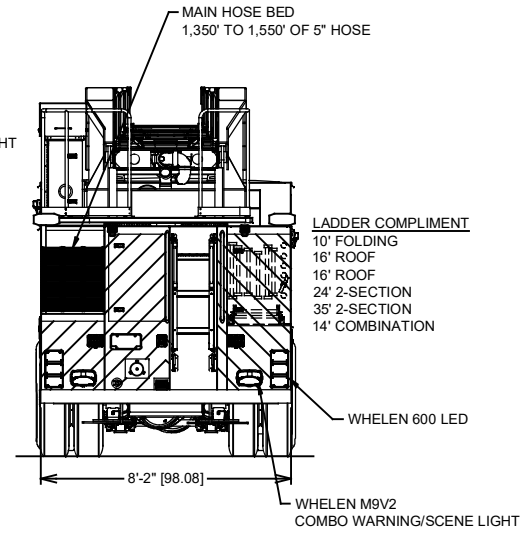
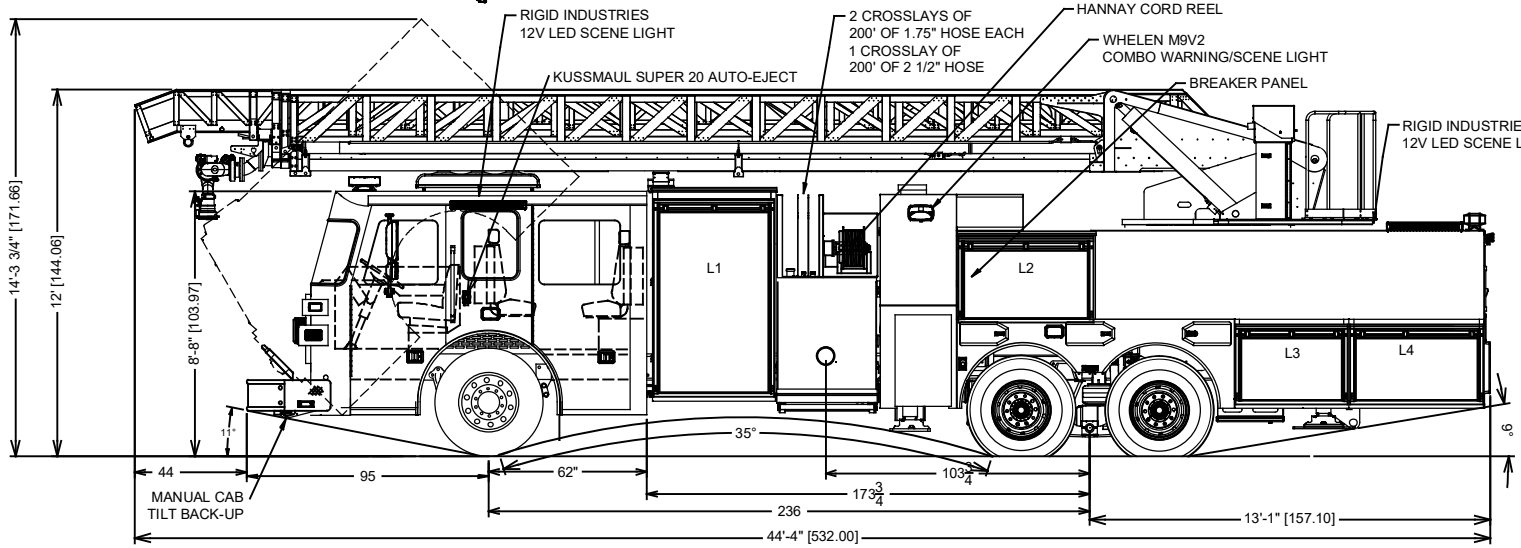
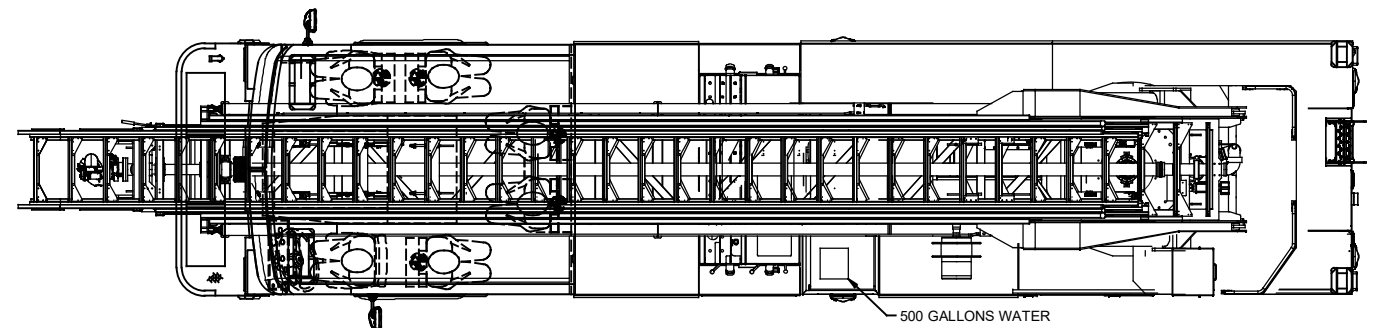
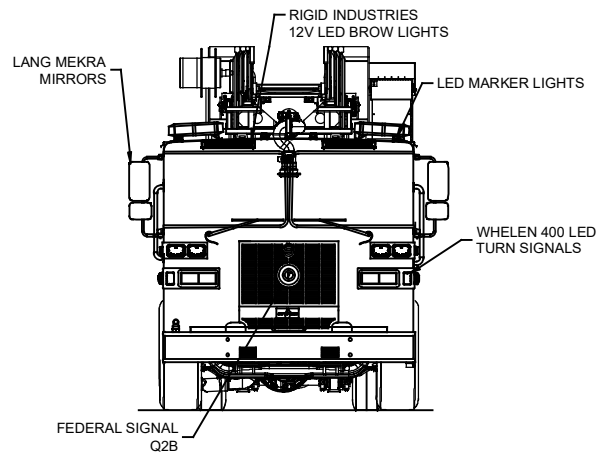
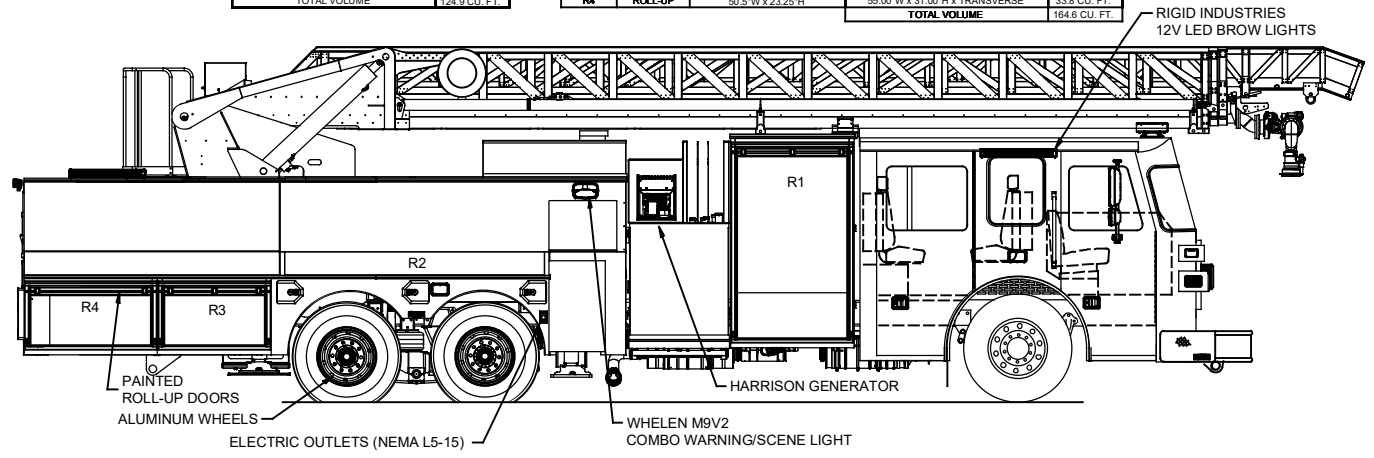


COMPT	DOORS	OPENING DIMENSIONS	INSIDE DIMENSIONS	VOLUME
L1	ROLL-UP	42.00"W x 70.00"H	48.00"W x 79.00"H x 24.75"D	54.3 CU. FT.
L2	ROLL-UP	47.50"W x 25.50"H	54.00"W x 33.00"H x 22.00"D	22.6 CU. FT.
L3	ROLL-UP	38.00"W x 23.00"H	44.50"W x 31.00"H x 18.00"D	14.2 CU. FT.
L4	ROLL-UP	50.50"W x 23.25"H	55.00"W x 31.00"H x TRANSVERSE	33.8 CU. FT.
TOTAL VOLUME				124.9 CU. FT.

COMPT	DOORS	OPENING DIMENSIONS	INSIDE DIMENSIONS	VOLUME
R1	ROLL-UP	42.75"W x 70.00"H	48.00"W x 19.00"H x 25.50"D	13.5 CU. FT.
R2	ROLL-UP	101.00"W x 8.50"H	38.00"W x 61.50"H x 67.00"D	90.6 CU. FT.
R3	ROLL-UP	101.00"W x 8.50"H	105.00"W x 9.50"H x 25.00"D	14.4 CU. FT.
R4	ROLL-UP	38.00"W x 21.75"H	44.50"W x 26.5"H x 18.00"D	12.3 CU. FT.
R4	ROLL-UP	50.5"W x 23.25"H	55.00"W x 31.00"H x TRANSVERSE	33.8 CU. FT.
TOTAL VOLUME				164.6 CU. FT.



DIMENSIONS SHOWN ON THIS DRAWING ARE APPROXIMATE AND ARE SUBJECT TO MINOR DEVIATIONS DURING CONSTRUCTION.

IN THE EVENT OF A DISCREPANCY BETWEEN THE SUTPHEN SPECIFICATIONS AND DRAWING, THE SUTPHEN SPECIFICATIONS SHALL PREVAIL.

DRAWING IS FOR REFERENCE ONLY. SOME ITEMS PROPOSED MAY NOT BE SHOWN OR NOTED.

CUSTOMER APPROVAL

NAME: \_\_\_\_\_

TITLE: \_\_\_\_\_

DATE: \_\_\_\_\_

REV.	DESCRIPTION	BY	DATE

DRAWN BY: APF

DATE: 04/06/18

MFG. FACILITY: HILLIARD

SUTPHEN

SLR108

HS-5965