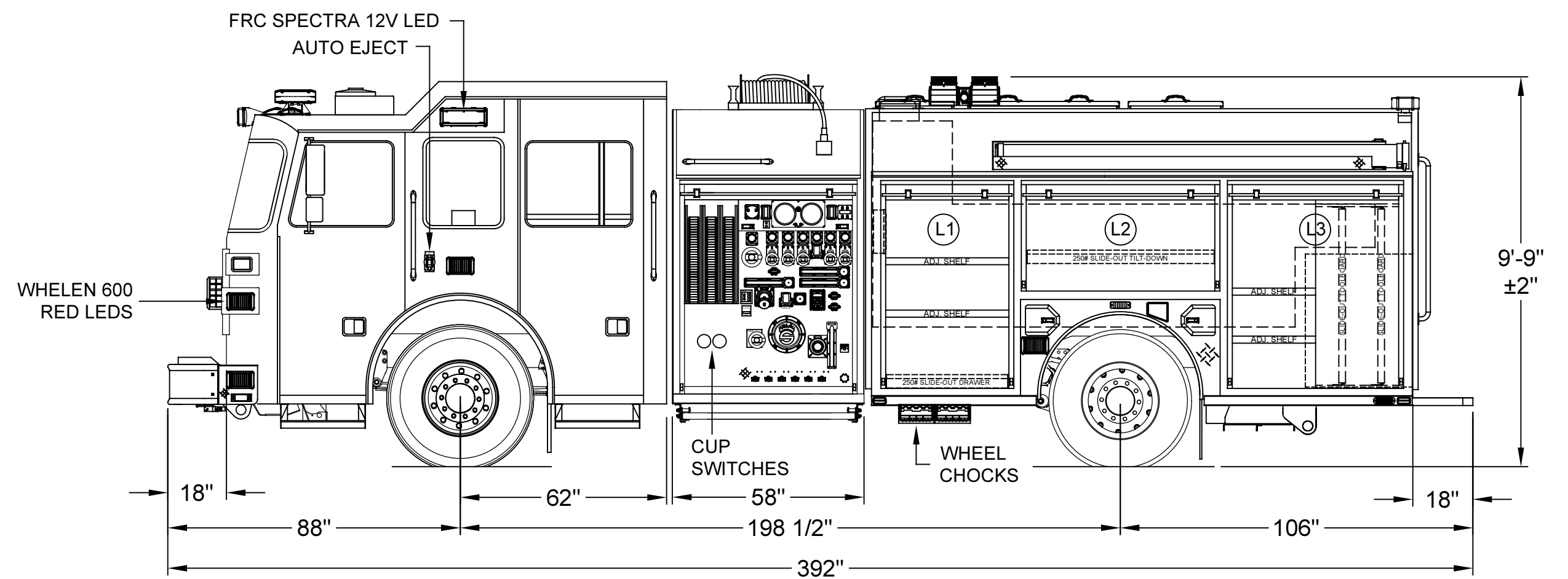
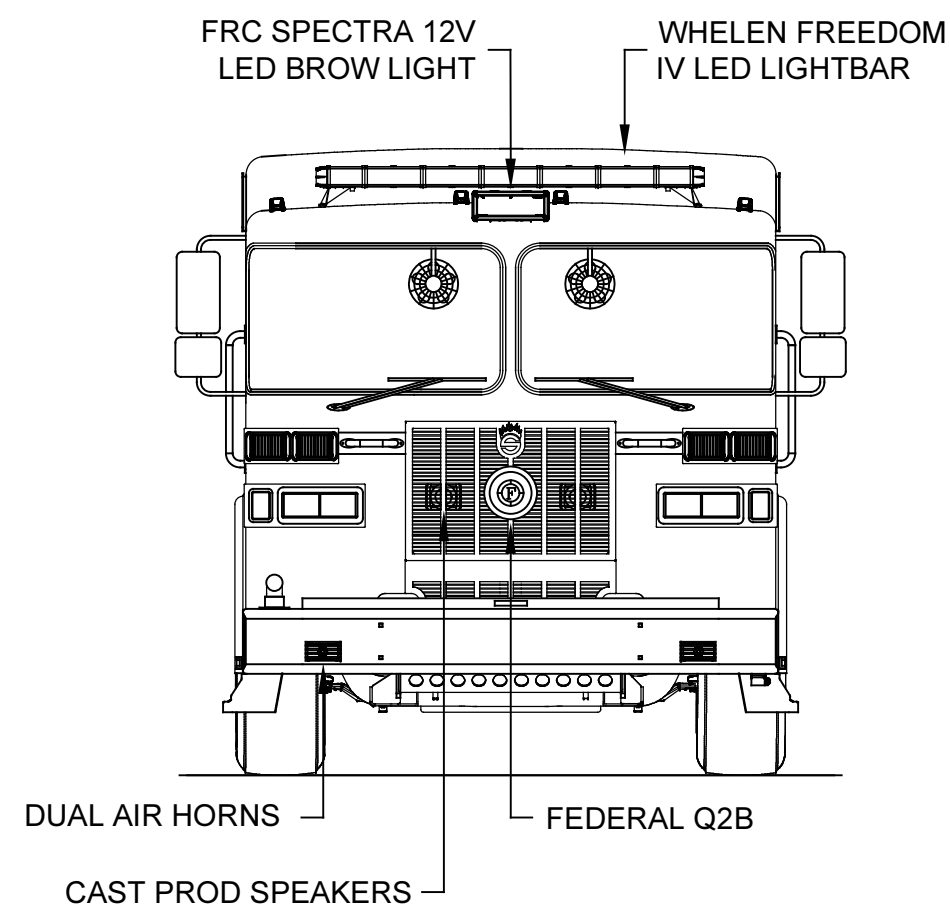
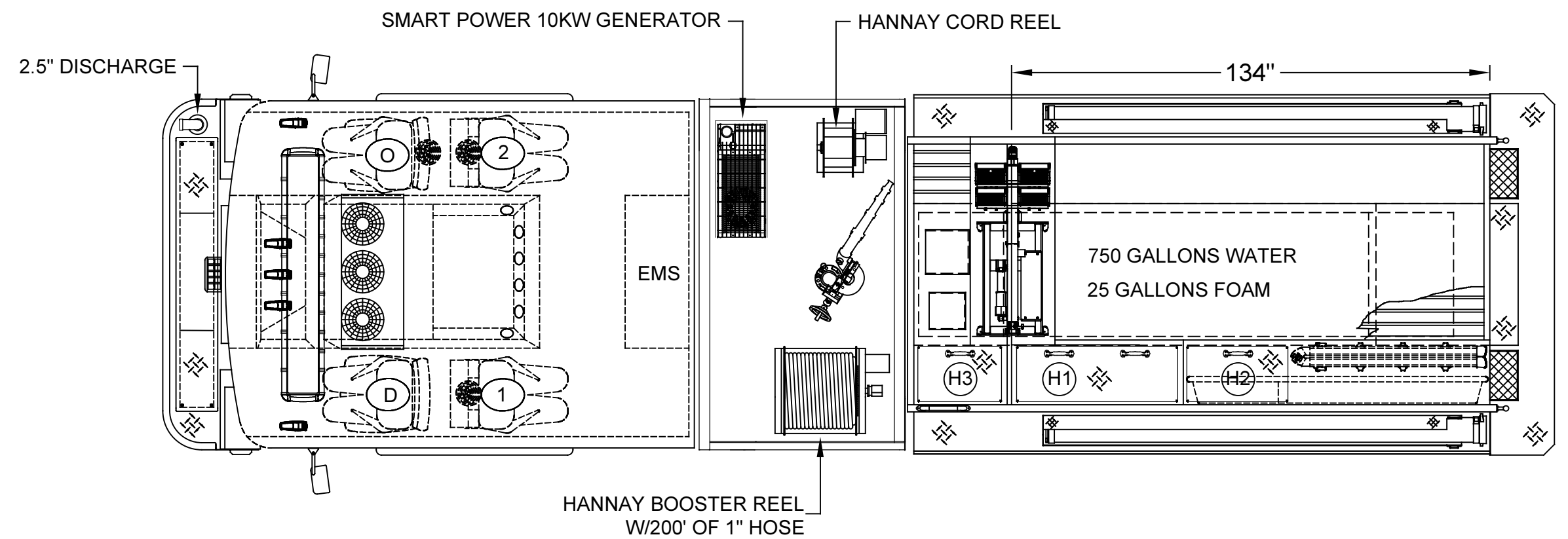


LEFT SIDE BODY COMPARTMENTATION				
COMPT	DOORS	OPENING DIMENSIONS	INSIDE DIMENSIONS	VOLUME
L1	ROLL-UP	37\"/>		

RIGHT SIDE BODY COMPARTMENTATION				
COMPT	DOORS	OPENING DIMENSIONS	INSIDE DIMENSIONS	VOLUME
R1	ROLL-UP	37\"/>		

REAR BODY COMPARTMENTATION				
COMPT	DOORS	OPENING DIMENSIONS	INSIDE DIMENSIONS	VOLUME
A1	ROLL-UP	37 1/2\"/>		

TOTAL: 246 CU. FT.



DIMENSIONS SHOWN ON THIS DRAWING ARE APPROXIMATE AND ARE SUBJECT TO MINOR DEVIATIONS DURING CONSTRUCTION.

CUSTOMER APPROVAL

NAME: \_\_\_\_\_  
 TITLE: \_\_\_\_\_  
 DATE: \_\_\_\_\_

REV.	DESCRIPTION	BY	DATE
D	ADDITIONAL COFFIN COMPARTMENTS AND CUSTOMER MID-INSPECTION CHANGES	JM	11/29/17
C	CLARIFIED LADDER MANUFACTURER	JM	08/28/17
B	SEVERAL CLARIFICATIONS ; MIV'S CHANGED TO HALE MANUAL AND ELEC ; CUP SWITCHES FOR HOSEBED LIGHTS MOVED TO DS PP	JM	06/21/17
A	REV-A SHOP ORDER	JM	06/09/17

DRAWN BY: J.MORGAN  
 DATE: 04/12/17  
 MFG. FACILITY: DUBLIN



ROCKINGHAM COUNTY FIRE RESCUE  
 HARRISONBURG, VA

CUSTOM PUMPER - PA-12 BODY

DWG. NO.: HS-5979

THIS PRINT IS PROVIDED ON A RESTRICTED BASIS AND IS NOT TO BE USED IN ANY WAY DETRIMENTAL TO THE INTEREST OF SUTPHEN CORPORATION.

DRAWING IS FOR REFERENCE ONLY. SOME ITEMS PROPOSED MAY NOT BE SHOWN OR NOTED.